

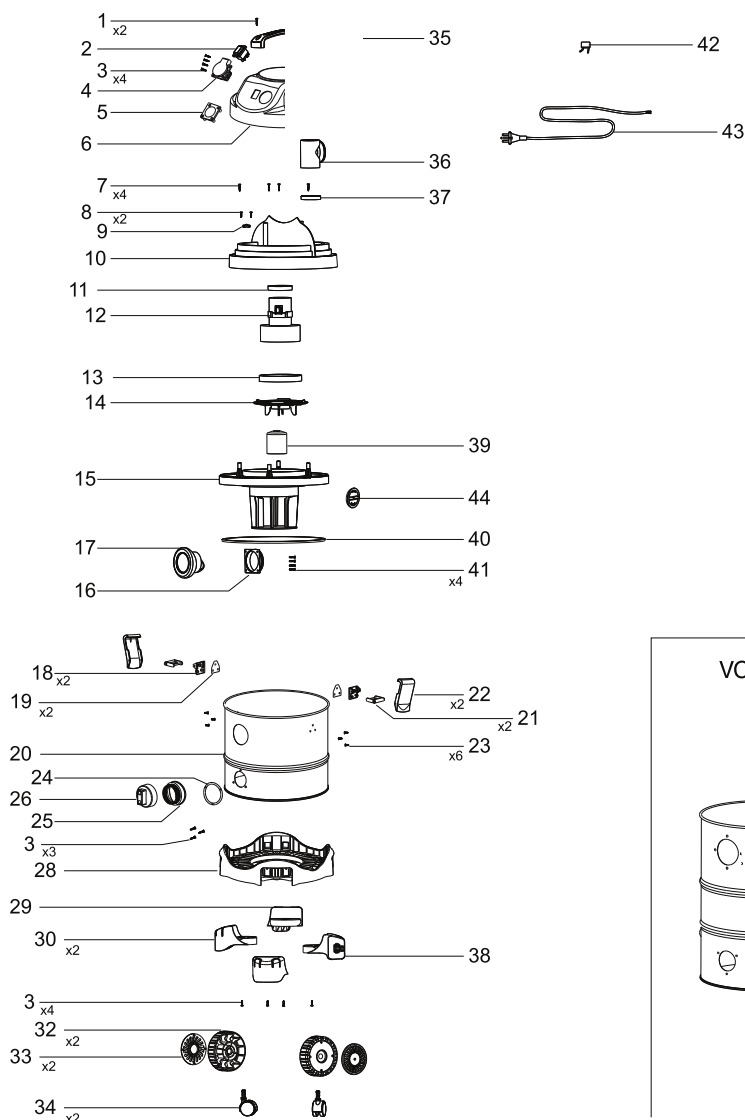
**PROFESSIONAL**  
**VC 132IMS - 184577; VC 1431MS - 184578**

Поз. No.	Идент. No.	Наименование	Поз. No.	Идент. No.	Наименование
----------	------------	--------------	----------	------------	--------------

- |        |        |                             |
|--------|--------|-----------------------------|
| 1      | 184743 | Screw 4x20                  |
| 2      | 184744 | Switch                      |
| 3      | 184745 | Screw 4x12                  |
| 4      | 184746 | Outlet socket               |
| 5      | 184748 | Plastic base for socket     |
| 6      | 184747 | Cover                       |
| 7      | 184749 | Screw 4x20                  |
| 8      | 184750 | Screw 4x14                  |
| 9      | 184751 | Wire fixing                 |
| 10     | 184752 | Motor top cover             |
| 11     | 184753 | Seal ring                   |
| (1) 12 | 184754 | Motor                       |
| (2) 12 | 184786 | Motor                       |
| 13     | 184755 | Motor below seal ring       |
| 14     | 184756 | Air inlet grid              |
| 15     | 184757 | Motor base cover            |
| 16     | 184758 | Inner part of suction mouth |
| 17     | 184759 | Muffle                      |
| 18     | 184760 | Lock base                   |
| 19     | 184761 | Plate                       |
| (1) 20 | 184762 | Tank                        |
| (2) 20 | 184787 | Tank                        |
| 21     | 184763 | Connector                   |

- |    |        |                        |
|----|--------|------------------------|
| 22 | 184764 | Locks clasp            |
| 23 | 184765 | Screw                  |
| 24 | 184766 | Ring                   |
| 25 | 184767 | Suction                |
| 26 | 184768 | Cover                  |
| 28 | 184770 | Tank base              |
| 29 | 184771 | Back barrel feet left  |
| 30 | 184773 | Front barrel feet      |
| 32 | 184775 | Big back wheels        |
| 33 | 184776 | Big wheels cap         |
| 34 | 184777 | Castors                |
| 35 | 184778 | Handle                 |
| 36 | 184779 | Inner air tube         |
| 37 | 184780 | Seal ring              |
| 38 | 184772 | Back barrel feet right |
| 39 | 184781 | Floater cup            |
| 40 | 184782 | Seal (for lower cover) |
| 41 | 184783 | Screw 4x14             |
| 42 | 184784 | Pcb+capacitor assembly |
| 43 | 184785 | Cable                  |
| 44 | 191471 | Filter locking cap     |

Note:  
(1) - only for VC 132IMS; (2) - only for VC 1431MS



**VC 13**  
**VC 14**