



如需获取更多信息请访问公司官方网站：WWW.AIRIC.CC

上海埃瑞卡电缆附件有限公司
SHANGHAI AIRIC CABLE ACCESSORIES CO., LTD

地址：上海市奉贤区南桥镇杨王工业区杨海路1188号
电话：021-33617966
传真：021-33617873
E-mail: info@airic.cc

埃瑞卡电缆附件有限公司版权所有

ideas for connection

Accurate, Innovative, Reliable & Intelligent Connection



About AIRIC

Shanghai AIRIC Cable Accessories Co., Ltd, as the leading manufacturer and exporter of cable connectors and wire splices in China, with a decade of professional experiences in electrical lines, has been approved with CE, UL, ROHS and ISO9001-2000.

AIRIC's high quality connection products include: Non-Insulated, Pre-Insulated, Full Insulated, Vinyl Insulated, Nylon Insulated, PC Insulated and Heat Shrink Insulated; Normal and Double Grip, Wire Spring and Wire Nut; Compliance Crimping Tools etc.

AIRIC now is exporting to world wide markets with a high reputation from business cooperators all over the world. The annual return is over a billion U.S. dollars and AIRIC is working hard to achieve a new challenge.



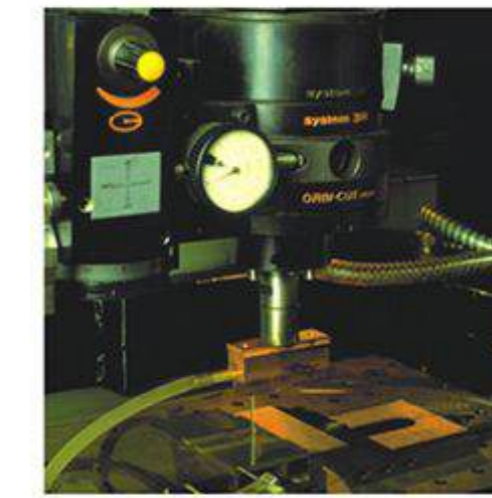
Management and Innovation

AIRIC has always been dedicated to building up creative, motivated, energetic and an innovated working system for all our staff. We've successfully applied a regular training system, key performance evaluation, target management etc.

AIRIC has been increasing our yearly investment on R&D and technicians training in the past 7 years, which had dramatically raised our research ability and products technical and quality level. Those efforts and policies are converting to our market competitive power with visible results.

Our worldwide marketing network is expanding.

Worldwide marketing cooperation or distribution is strongly considered.



Production and Inspection

AIRIC has adopted all international standards since its establishment. AIRIC has successfully applied Total Quality Management (TQM) on the production and quality control system.

Every AIRIC product could be tracked back to each operation position in time. Our inspection standard is not 98%, or 99%. It is always and only 100%.

The products quality is as vital as AIRIC's life. And customers are our central focus at AIRIC.

We can serve our customers well as we apply the most strict quality standards to all of our products. And the better of our product's quality, the better AIRIC could develop.



Environmental Protection

From the first day of AIRIC's establishment, we have paid extra attention to the environment's protection.

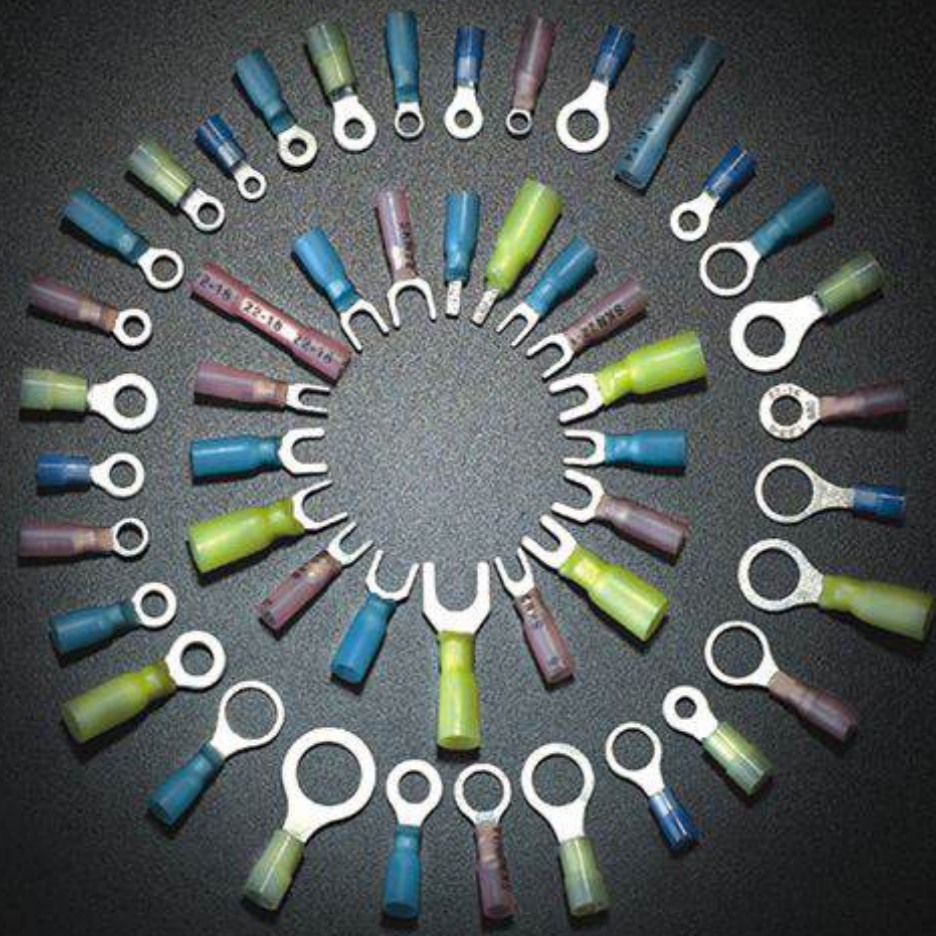
All the production steps are considered for the environment's protection.

AIRIC has successfully applied a recycling usage policy for all the waste materials during the production process.

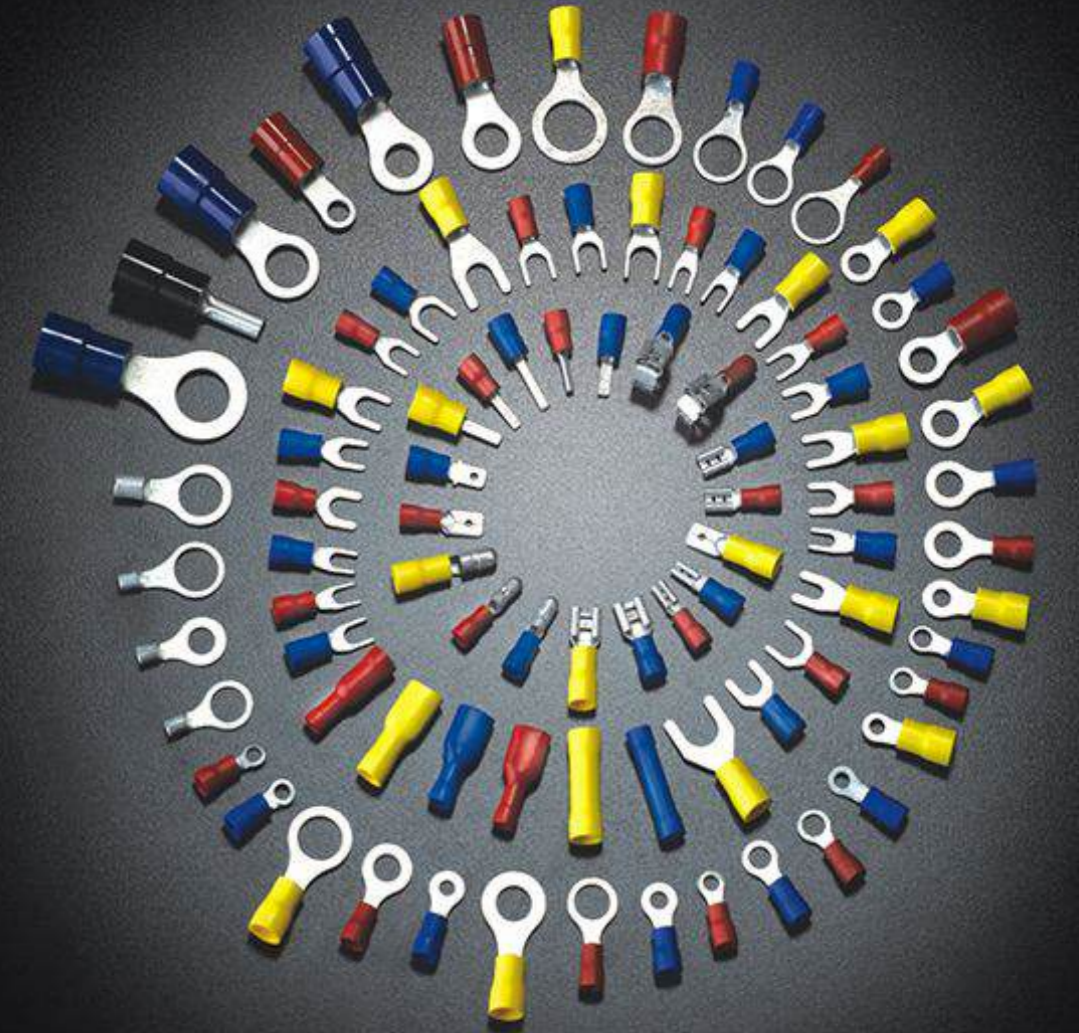
All products are designed and produced to protect the environment.

We clearly understand that the more efficient our products are, the less energy wasted for the end users.

SHANGHAI AIRIC
CABLE ACCESSORIES
CO., LTD.



ideas for connection



→ → →
AIRIC TERMINAL



Accurate, Innovative, Reliable and Intelligent Connection

Product Details >

SHANGHAI AIRIC
CABLE ACCESSORIES
CO., LTD



INTRODUCTION

P/01 > 04



TERMINALS

P/05 > 80



CONNECTORS

P/83 < 108



SPLICES

P/111 < 118



CORD END TERMINALS

P/121 > 128



TUBULAR LUGS TERMINALS

P/131 > 149



TYPE OF INSULATION



***NB: NON-INSULATED**



***V: VINYL INSULATED**



***D: VINYL INSULATED WITH DOUBLE GRIP**



***NY: MOULD NYLON INSULATED**



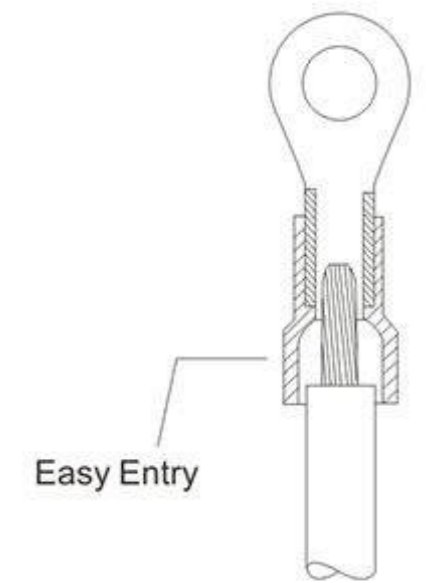
***NYD: MOULD NYLON INSULATED WITH DOUBLE GRIP**



***HT: HEAT SHRINK**

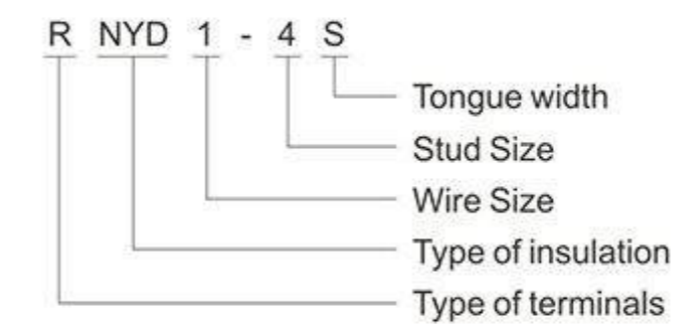
Easy Entry

- Most AIRIC insulation sleeves are of Easy Entry type which guides all the conductor strands properly into the terminal neck.
- The risk for back folded strands, possibly resulting in flash-overs and reduced crimped cross section area is therefore minimised.

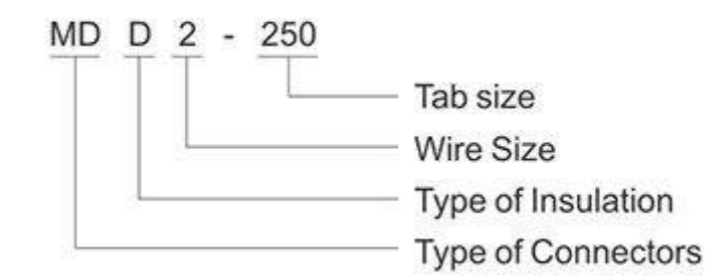


AIRIC NUMBER CONSTITUTION

Terminals



Connectors



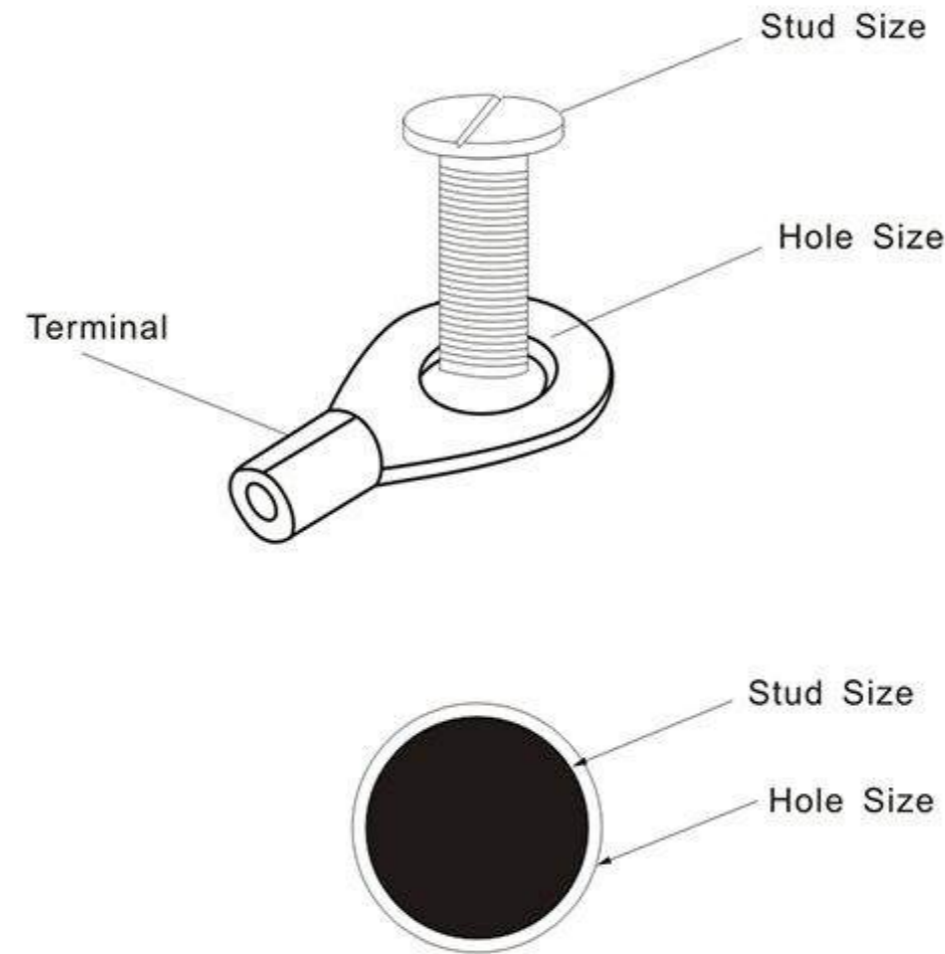
TYPE OF TERMINALS / CONNECTORS

R	Ring Terminal	MD	Male Disconnecter
S	Standard Spade Terminal	FD	Female Disconnecter
DR	Ring Terminal (DIN)	MP	Male Bullet Disconnecter
DS	Standard Spade Terminal (DIN)	FR	Female Bullet Disconnecter
LS	Locking Spade Terminal	FDF	Fully Insulated Female Disconnecter
FS	Flanged Spade Terminal	PBD	Piggy Back Disconnecter
PT	Pin Terminal	FLD	Flag Female Disconnecter
H	Hook Terminal	AT	Cable Lug-straight Entry
DB	Blade Terminal	TL	Cable Lug-bell Entry
LB	Lipped Blade Terminal	TK	Cable Lug-straight Entry With Spy Hole
B	Butt Splice Connector	TKL	Cable Lug-bell Entry With Spy Hole

STUD SIZE

STANDARD SIZE	STUD SIZE		HOLE SIZE	
	(Inch)	(mm)	(mm)	(Inch)
●	#2	2.0	2.2	.087 "
●	#3	2.5	2.7	.106 "
●	#4	3.0	3.2	.126 "
●	#6	3.5	3.7	.146 "
●	#8	4.0	4.3	.169 "
●	#10	5.0	5.3	.209 "
●	1/4 "	6.0	6.4	.252 "
●	5/16 "	8.0	8.4	.331 "
●	3/8 "	10.0	10.5	.413 "
●	7/16 "	11.0	11.5	.453 "
●	1/2 "	12.0	13.0	.512 "
●	9/16 "	14.0	15.0	.591 "
●	5/8 "	16.0	17.0	.669 "
●	11/16 "	18.0	19.0	.748 "
●	3/4 "	20.0	21.0	.827 "
●	7/8 "	22.0	23.0	.906 "
●	15/16 "	24.0	25.0	.984 "

STUD SIZE CHART



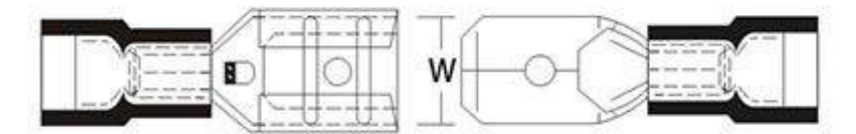
Note: The charts shows standard size just for consulting, specified dimensions]subject to stud size and hole size.

WIRE SIZE

WIRE	WIRE RANGE	AMERICAN STANDARD (A.W.G.)
1.25	0.5-1.5	22-16
2	1.5-2.5	16-14
3.5	2.5-4	14-12
5.5	4-6	12-10
8	6-10	8
14	10-16	6
22	16-25	4
38	25-35	2
60	50-70	1/0
70	70-95	2/0
80	95-120	3/0
100	120-150	4/0
150	150-185	250/300MCM
180	185-240	300/350MCM
200	240-300	400/500MCM
325	300-400	500/600MCM

TAB SIZE

SERIES	TAB SIZE(w)	
	(Inch)	(mm)
110	— .110×.020 "	2.8×0.5
	— .110×.032 "	2.8×0.8
187	— .187×.020 "	4.75×0.5
	— .187×.032 "	4.75×0.8
205	— .205×.020 "	5.2×0.5
	— .205×.032 "	5.2×0.8
250	— .250×.032 "	6.35×0.8
312	— .312×.032 "	8.0×0.8
375	— .375×.047 "	9.4×1.2



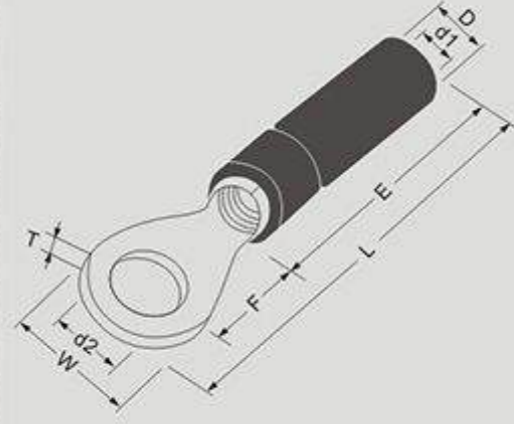
Terminals

Accurate,
Innovative,
Reliable and
Intelligent
Connection

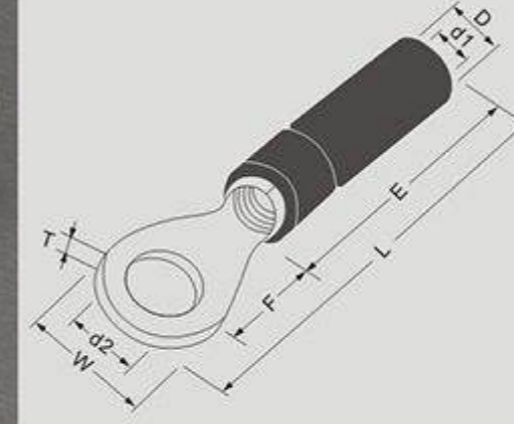


Heat Shrink Insulated	HT
RING TERMINALS	07-08
SPADE TERMINALS	09-10
Nylon Insulated - Double Crimp	NYD
RING TERMINALS	11-12
SPADE TERMINALS	13-14
LOCKING SPADE TERMINALS	15
FLANGE SPADE TERMINALS	16
HOOK TERMINALS	17
BLADE TERMINALS	18
LIPPED BLADE TERMINALS	19
PIN TERMINALS	20
Vinyl Insulated - Double Crimp	D
RING TERMINALS	21-22
SPADE TERMINALS	23-24
LOCKING SPADE TERMINALS	25
FLANGE SPADE TERMINALS	26
HOOK TERMINALS	27
BLADE TERMINALS	28
LIPPED BLADE TERMINALS	29
PIN TERMINALS	30
Nylon Insulated - Single Crimp	NY
RING TERMINALS	31-34
SPADE TERMINALS	35-36
LOCKING SPADE TERMINALS	37
FLANGE SPADE TERMINALS	38
HOOK TERMINALS	39
BLADE TERMINALS	40
LIPPED BLADE TERMINALS	41
PIN TERMINALS	42-43
Vinyl Insulated - Single Crimp	V
RING TERMINALS	44-45
SPADE TERMINALS	46-47
LOCKING SPADE TERMINALS	48
FLANGE SPADE TERMINALS	49
HOOK TERMINALS	50
BLADE TERMINALS	51
LIPPED BLADE TERMINALS	52
PIN TERMINALS	53
Non-Insulated with Brazed Seam	NB
RING TERMINALS	54-61
SPADE TERMINALS	62-63
LOCKING SPADE TERMINALS	64
FLANGE SPADE TERMINALS	65
HOOK TERMINALS	66
BLADE TERMINALS	67
LIPPED BLADE TERMINALS	68
PIN TERMINALS	69
DIN Terminal	DIN
Nylon Insulated with Brazed Seam	NY
RING TERMINALS DIN 46237	70-71
SPADE TERMINALS DIN 46237	72
Vinyl Insulated with Brazed Seam	V
RING TERMINALS DIN 46237	73-74
SPADE TERMINALS DIN 46237	75
Non-Insulated with Brazed Seam	NB
RING TERMINALS DIN 46234	76-79
SPADE TERMINALS DIN 46234	80

HT
NYD
D
NY
V
NB
DIN



- **Material**
- Insulation: Heat Shrink Tube
- Terminal Body: Copper
- Plating: Tin
- **Character:**
- Waterproof / Sealed



- **Material**
- Insulation: Heat Shrink Tube
- Terminal Body: Copper
- Plating: Tin
- **Character:**
- Waterproof / Sealed

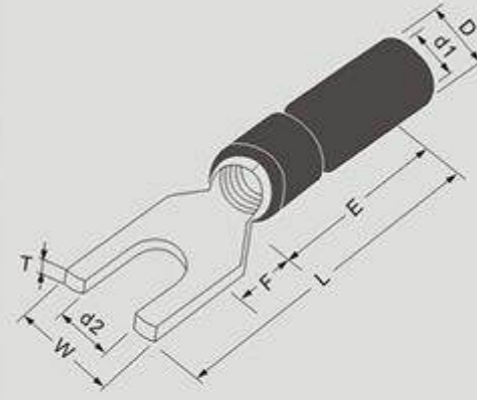
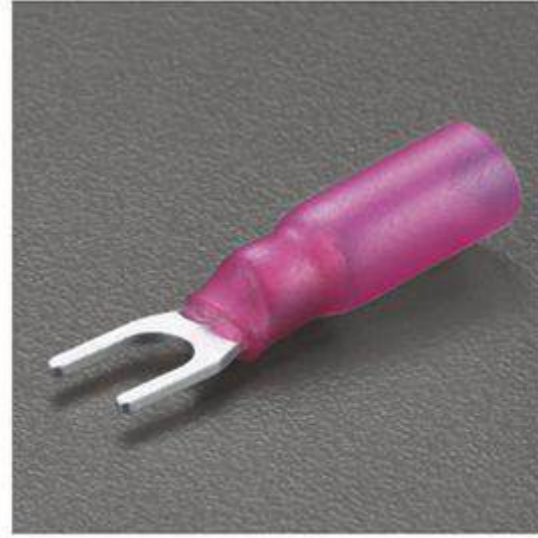


RING TERMINALS

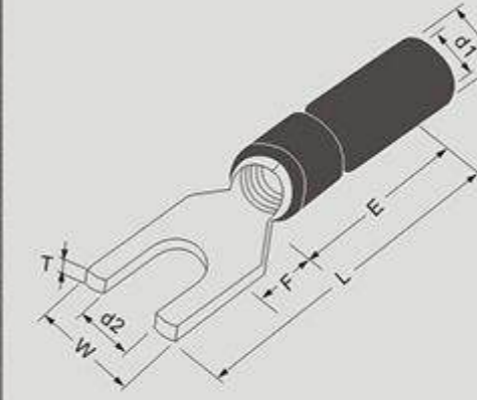
WIRE RANGE mm ² (A.W.G.)	STUD SIZE		ITEM NO .	DIMENSION mm(inch)					PCS/PACK	COLOR	
	Metric (mm)	American (inch)		d2	W	L	E	d1			
0.5-1.5 (22-16)	3	#4	RHT1-3.2	3.2(.216)	5.5(.216)	25.5	19.0	1.7(.067)	500	Red	
	3.5	#6	RHT1-3.7S	3.7(.146)							
	3.5	#6	RHT1-3.7M	3.7(.146)	6.6(.260)	28.3					
	3.5	#6	RHT1-3.7L	3.7(.146)	8.0(.315)	29.4					
	4	#8	RHT1-4S	4.3(.169)	6.6(.260)	26.9					
	4	#8	RHT1-4L	4.3(.169)	8.0(.315)	28.5					
	5	#10	RHT1-5	5.3(.209)							
	5	#10	RHT1-5L	5.3(.209)	11.6(.457)	34.7					
	6	1/4 "	RHT1-6	6.4(.252)							
	8	5/16 "	RHT1-8	8.4(.331)							
	10	3/8 "	RHT1-10	10.5(.413)							13.6(.535)
	12	1/2 "	RHT1-12	13.0(.512)	19.6(.756)	43.4					
	14	9/16 "	RHT1-14	15.0(.591)	27.0(1.063)	52.5					300
	16	5/8 "	RHT1-16	17.0(.669)							
20	3/4 "	RHT1-20	21.0(.827)								
1.5-2.5 (16-14)	3	#4	RHT2-3.2	3.2(.126)	6.6(.260)	25.8	19.0	2.3(.091)	500	Blue	
	3.5	#6	RHT2-3.7S	3.7(.146)							
	3.5	#6	RHT2-3.7M	3.7(.146)	8.5(.335)	29.8					
	3.5	#6	RHT2-3.7L	3.7(.146)	6.6(.260)	27.4					
	4	#8	RHT2-4S	4.3(.169)							
	4	#8	RHT2-4L	4.3(.169)	8.5(.335)	29.8					
	5	#10	RHT2-5S	5.3(.209)							
	5	#10	RHT2-5L	5.3(.209)	9.5(.374)	29.8					
	6	1/4 "	RHT2-6	6.4(.252)	12.0(.472)	34.6					

RING TERMINALS

WIRE RANGE mm ² (A.W.G.)	STUD SIZE		ITEM NO .	DIMENSION mm(inch)					PCS/PACK	COLOR
	Metric (mm)	American (inch)		d2	W	L	E	d1		
1.5-2.5 (16-14)	8	5/16 "	RHT2-8	8.4(.331)	12.0(.472)	34.6	19.0	2.3(.091)	500	Blue
	10	3/8 "	RHT2-10	10.5(.431)	13.6(.535)	38.5				
	12	1/2 "	RHT2-12	13.0(.512)	19.2(.756)	43.4				
	14	9/16 "	RHT2-14	15.0(.591)	27.0(1.063)	52.5				
	16	5/8 "	RHT2-16	17.0(.669)						
	20	3/4 "	RHT2-20	21.0(.827)						
	4-6 (12-10)	3.5	#6	RHT5-3.7	3.7(.146)	7.2(.283)				
4		#8	RHT5-4S	4.3(.169)						
4		#8	RHT5-4L	4.3(.169)	9.5(.374)	33.6				
5		#10	RHT5-5	5.3(.209)						
6		1/4 "	RHT5-6	6.4(.252)	12.0(.472)	36.3				
6		1/4 "	RHT5-6M	6.4(.252)						
8		5/16 "	RHT5-8	8.4(.331)	15.0(.591)	45.4				
10		3/8 "	RHT5-10	10.5(.413)						
12		1/2 "	RHT5-12	13.0(.512)	19.2(.756)	46.5				
14		9/16 "	RHT5-14	15.0(.591)	32.0(1.260)	54.2				
16		5/8 "	RHT5-16	17.0(.669)						
20		3/4 "	RHT5-20	21.0(.827)						



- Material**
 - Insulation: Heat Shrink Tube
 - Terminal Body: Copper
 - Plating: Tin
- Character:**
 - Waterproof / Sealed



- Material**
 - Insulation: Heat Shrink Tube
 - Terminal Body: Copper
 - Plating: Tin
- Character:**
 - Waterproof / Sealed

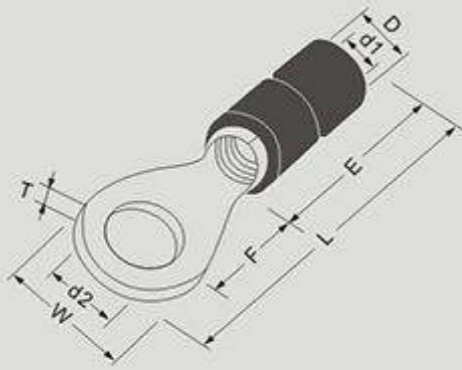


SPADE TERMINALS

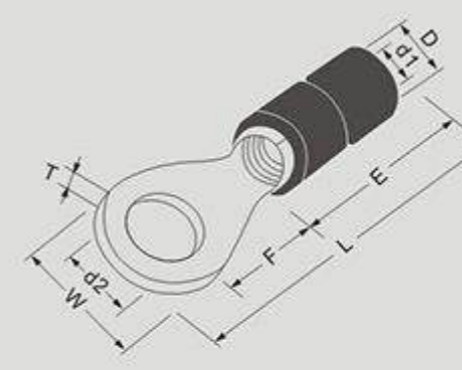
WIRE RANGE mm ² (A.W.G.)	STUD SIZE		ITEM NO .	DIMENSION mm(inch)					PCS/PACK	COLOR
	Metric (mm)	American (inch)		d2	W	L	E	d1		
0.5-1.5 (22-16)	3	#4	SHT1-3.2	3.2(.126)	5.7(.224)	33	19	1.7(.067)	500	Red
	3.5	#6	SHT1-3.7S	3.7(.146)						
	3.5	#6	SHT1-3.7L	3.7(.146)						
	3.5	#6	SHT1-3.7LL	3.7(.146)						
	4	#8	SHT1-4S	4.3(.169)						
	4	#8	SHT1-4M	4.3(.169)						
	4	#8	SHT1-4L	4.3(.169)						
	5	#10	SHT1-5S	5.3(.209)						
	5	#10	SHT1-5L	5.3(.209)						
	6	1/4 "	SHT1-6S	6.4(.252)						
6	1/4 "	SHT1-6L	6.4(.252)	12.0(.472)	39					
1.5-2.5 (16-14)	3	#4	SHT2-3.2	3.2(.126)	5.7(.224)	33	19	2.3(.091)	500	Blue
	3.5	#6	SHT2-3.7S	3.7(.146)						
	3.5	#6	SHT2-3.7L	3.7(.146)						
	3.5	#6	SHT2-3.7LL	3.7(.146)						
	4	#8	SHT2-4S	4.3(.169)						
	4	#8	SHT2-4M	4.3(.169)						
	4	#8	SHT2-4L	4.3(.169)						
	5	#10	SHT2-5S	5.3(.209)						
	5	#10	SHT2-5L	5.3(.209)						
	6	1/4 "	SHT2-6S	6.4(.252)						
6	1/4 "	SHT2-6L	6.4(.252)	12.0(.472)	39					

SPADE TERMINALS

WIRE RANGE mm ² (A.W.G.)	STUD SIZE		ITEM NO .	DIMENSION mm(inch)					PCS/PACK	COLOR
	Metric (mm)	American (inch)		d2	W	L	E	d1		
4-6 (12-10)	3.5	#6	SHT5-3.7S	3.7(.146)	7.2(.283)	35.6	24	3.4(.134)	300	Yellow
	3.5	#6	SHT5-3.7	3.7(.146)	8.3(.327)	36.7				
	4	#8	SHT5-4SS	4.3(.169)	7.2(.283)	35.6				
	4	#8	SHT5-4S	4.3(.169)	8.3(.327)	36.7				
	4	#8	SHT5-4L	4.3(.169)	9.0(.283)	36.7				
	5	#10	SHT5-5	5.3(.209)						
	6	1/4 "	SHT5-6S	6.4(.252)	12.0(.472)	44.5				
	6	1/4 "	SHT5-6L	6.4(.252)						
	8	5/16 "	SHT5-8	8.4(.315)	14.0(.551)	41.7				



- Material**
 - Insulation: Nylon
 - Terminal Body: Copper
 - Metallic Sleeve: Copper
 - Plating: Tin
- Character:**
 - Heat Resistance 105°C
 - Easy Entry
 - Better Conduct Connection



- Material**
 - Insulation: Nylon
 - Terminal Body: Copper
 - Metallic Sleeve: Copper
 - Plating: Tin
- Character:**
 - Heat Resistance 105°C
 - Easy Entry
 - Better Conduct Connection



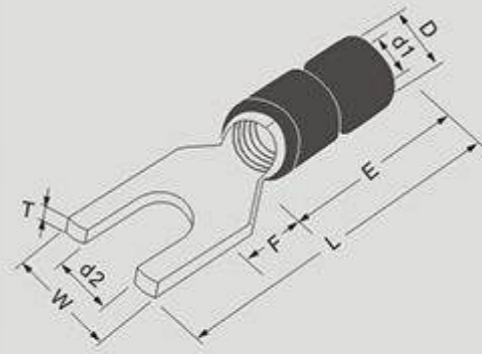
RING TERMINALS

WIRE RANGE mm ² (A.W.G.)	STUD SIZE		ITEM NO .	DIMENSION mm(inch)					PCS/PACK	COLOR		
	Metric (mm)	American (inch)		d2	W	L	E	d1				
0.5-1.5 (22-16)	3	#4	RNYD1-3.2	3.2(.216)	5.5(.216)	18.5(.728)	11.0(.433)	1.7(.067)	1000	Red		
	3.5	#6	RNYD1-3.7S	3.7(.146)								
	3.5	#6	RNYD1-3.7M	3.7(.146)	6.6(.260)	20.4(.803)						
	3.5	#6	RNYD1-3.7L	3.7(.146)	8.0(.315)	21.8(.858)						
	4	#8	RNYD1-4S	4.3(.169)	6.6(.260)	20.4(.803)						
	4	#8	RNYD1-4L	4.3(.169)	8.0(.315)	21.8(.858)						
	5	#10	RNYD1-5	5.3(.209)								
	5	#10	RNYD1-5L	5.3(.209)	11.6(.457)	27.8(1.094)						
	6	1/4 "	RNYD1-6	6.4(.252)								
	8	5/16 "	RNYD1-8	8.4(.331)	27.0(1.063)	45.3(1.783)						
	10	3/8 "	RNYD1-10	10.5(.413)							13.6(.535)	31.5(1.240)
	12	1/2 "	RNYD1-12	13.0(.512)							19.6(.756)	36.4(1.433)
	14	9/16 "	RNYD1-14	15.0(.591)							27.0(1.063)	45.3(1.783)
	16	5/8 "	RNYD1-16	17.0(.669)								
20	3/4 "	RNYD1-20	21.0(.827)									
1.5-2.5 (16-14)	3	#4	RNYD2-3.2	3.2(.126)	6.6(.260)	18.8(.740)	11.0(.433)	2.3(.091)	1000	Blue		
	3.5	#6	RNYD2-3.7S	3.7(.146)		20.4(.803)						
	3.5	#6	RNYD2-3.7M	3.7(.146)	8.5(.335)	22.8(.898)						
	3.5	#6	RNYD2-3.7L	3.7(.146)	6.6(.260)	20.4(.803)						
	4	#8	RNYD2-4S	4.3(.169)	8.5(.335)	22.8(.898)						
	4	#8	RNYD2-4L	4.3(.169)								

RING TERMINALS

WIRE RANGE mm ² (A.W.G.)	STUD SIZE		ITEM NO .	DIMENSION mm(inch)					PCS/PACK	COLOR
	Metric (mm)	American (inch)		d2	W	L	E	d1		
1.5-2.5 (16-14)	5	#10	RNYD2-5S	5.3(.209)	8.5(.335)	22.8(.898)	11.0(.433)	2.3(.091)	1000	Blue
	5	#10	RNYD2-5L	5.3(.209)	9.5(.374)					
	6	1/4 "	RNYD2-6	6.4(.252)	12.0(.472)	27.8(1.094)				
	8	5/16 "	RNYD2-8	8.4(.331)	12.0(.472)	27.8(1.094)				
	10	3/8 "	RNYD2-10	10.5(.413)	13.6(.535)	31.5(1.240)				
	12	1/2 "	RNYD2-12	13.0(.512)	19.2(.756)	36.4(1.433)				
	14	9/16 "	RNYD2-14	15.0(.591)	27.0(1.063)	45.3(1.783)				
	16	5/8 "	RNYD2-16	17.0(.669)						
	20	3/4 "	RNYD2-20	21.0(.827)						
	4-6 (12-10)	3.5	#6	RNYD5-3.7	3.7(.146)	7.2(.283)				
4		#8	RNYD5-4S	4.3(.169)						
4		#8	RNYD5-4L	4.3(.169)	9.5(.374)	26.0(1.023)				
5		#10	RNYD5-5	5.3(.209)	12.0(.472)	29.5(1.164)				
6		1/4 "	RNYD5-6	6.4(.252)			32.0(1.260)			
6		1/4 "	RNYD5-6M	6.4(.252)	15.0(.591)	34.0(1.339)				
8		5/16 "	RNYD5-8	8.4(.331)	15.0(.591)	34.0(1.339)				
10		3/8 "	RNYD5-10	10.5(.413)						
12		1/2 "	RNYD5-12	13.0(.512)	19.2(.756)	38.6(1.520)				
14		9/16 "	RNYD5-14	15.0(.591)	32.0(1.260)	54.2(2.134)				
16	5/8 "	RNYD5-16	17.0(.669)							
20	3/4 "	RNYD5-20	21.0(.827)							

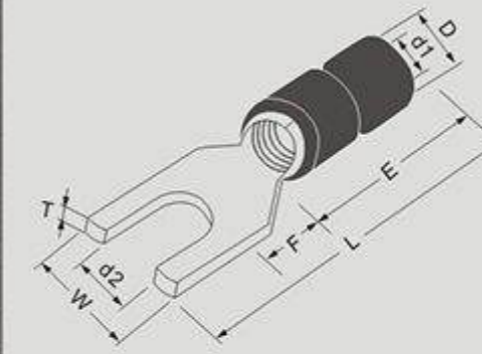
Nylon Insulated - Double Crimp



- Material**
 - Insulation: Nylon
 - Terminal Body: Copper
 - Metallic Sleeve: Copper
 - Plating: Tin
- Character:**
 - Heat Resistance 105°C
 - Easy Entry
 - Better Conduct Connection



Nylon Insulated - Double Crimp



- Material**
 - Insulation: Nylon
 - Terminal Body: Copper
 - Metallic Sleeve: Copper
 - Plating: Tin
- Character:**
 - Heat Resistance 105°C
 - Easy Entry
 - Better Conduct Connection

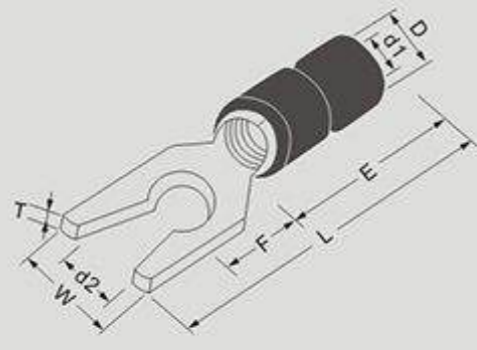


SPADE TERMINALS

WIRE RANGE mm ² (A.W.G.)	STUD SIZE		ITEM NO .	DIMENSION mm(inch)					PCS/PACK	COLOR	
	Metric (mm)	American (inch)		d2	W	L	E	d1			
0.5-1.5 (22-16)	3	#4	SNYD1-3.2	3.2(.126)	5.7(.224)	22.0(.866)	11.0(.433)	1.7(0.67)	1000	Red	
	3.5	#6	SNYD1-3.7S	3.7(.146)							
	3.5	#6	SNYD1-3.7L	3.7(.146)	6.4(.252)						
	3.5	#6	SNYD1-3.7LL	3.7(.146)	7.2(.283)						
	4	#8	SNYD1-4S	4.3(.169)	6.4(.252)						
	4	#8	SNYD1-4M	4.3(.169)	7.2(.283)						
	4	#8	SNYD1-4L	4.3(.169)	8.1(.319)						22.0(.866)
	5	#10	SNYD1-5S	5.3(.209)	9.5(.374)						22.0(.866)
	5	#10	SNYD1-5L	5.3(.209)							
	6	1/4 "	SNYD1-6S	6.4(.252)							
6	1/4 "	SNYD1-6L	6.4(.252)	12.0(.472)	28.0(1.102)						
1.5-2.5 (16-14)	3	#4	SNYD2-3.2	3.2(.126)	5.7(.224)	22.0(.866)	11.0(.433)	2.3(.091)	1000	Blue	
	3.5	#6	SNYD2-3.7S	3.7(.146)							
	3.5	#6	SNYD2-3.7L	3.7(.146)	6.0(.236)						
	3.5	#6	SNYD2-3.7LL	3.7(.146)	7.2(.283)						
	4	#8	SNYD2-4S	4.3(.169)	6.4(.252)						
	4	#8	SNYD2-4M	4.3(.169)	7.2(.283)						
	4	#8	SNYD2-4L	4.3(.169)	7.9(.311)						22.0(.866)
	5	#10	SNYD2-5S	5.3(.209)	9.3(.366)						22.0(.866)
	5	#10	SNYD2-5L	5.3(.209)							
	6	1/4 "	SNYD2-6S	6.4(.252)							
6	1/4 "	SNYD2-6L	6.4(.252)	12.0(.472)	28.0(1.102)						

SPADE TERMINALS

WIRE RANGE mm ² (A.W.G.)	STUD SIZE		ITEM NO .	DIMENSION mm(inch)					PCS/PACK	COLOR
	Metric (mm)	American (inch)		d2	W	L	E	d1		
4-6 (12-10)	3.5	#6	SNYD5-3.7S	3.7(.146)	7.2(.283)	24.4(.961)	13.0(.512)	3.4(.134)	500	Yellow
	3.5	#6	SNYD5-3.7	3.7(.146)	8.3(.327)	25.5(1.004)				
	4	#8	SNYD5-4SS	4.3(.169)	7.2(.283)	24.4(.961)				
	4	#8	SNYD5-4S	4.3(.169)	8.3(.327)	25.5(1.004)				
	4	#8	SNYD5-4L	4.3(.169)	9.0(.283)					
	5	#10	SNYD5-5	5.3(.209)						
	6	1/4 "	SNYD5-6S	6.4(.252)	12.0(.472)	31.5(1.240)				
	6	1/4 "	SNYD5-6L	6.4(.252)						
	8	5/16 "	SNYD5-8	8.4(.315)	14.0(.551)	30.5(1.201)				

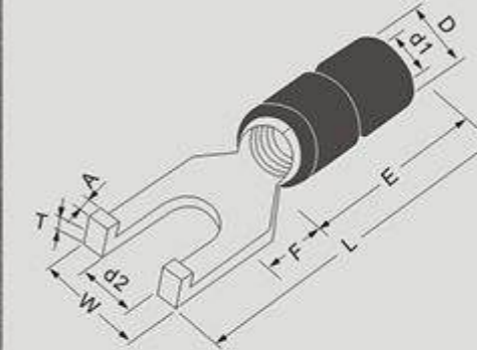


- Material**
 - Insulation: Nylon
 - Terminal Body: Copper
 - Metallic Sleeve: Copper
 - Plating: Tin
- Character:**
 - Heat Resistance 105°C
 - Easy Entry
 - Better Conduct Connection



LOCKING SPADE TERMINALS

WIRE RANGE mm ² (A.W.G.)	STUD SIZE		ITEM NO .	DIMENSION mm(inch)					PCS/PACK	COLOR
	Metric (mm)	American (inch)		d2	W	L	E	d1		
0.5-1.5 (22-16)	3.5	#6	LSNYD1-3.7	3.7(.146)	6.4(.252)	22.0(.866)	11.0(.433)	1.7(.067)	1000	Red
	4	#8	LSNYD1-4S	4.3(.169)	7.2(.283)					
	4	#8	LSNYD1-4L	4.3(.169)	8.1(.319)					
	5	#10	LSNYD1-5S	5.3(.209)	8.1(.319)					
	5	#10	LSNYD1-5L	5.3(.209)	9.5(.374)					
1.5-2.5 (16-14)	3.5	#6	LSNYD2-3.7S	3.7(.146)	6.0(.236)	22.0(.866)	11.0(.433)	2.3(.091)	1000	Blue
	4	#8	LSNYD2-4	4.3(.169)	7.2(.283)					
	4	#8	LSNYD2-4L	4.3(.169)	8.1(.319)					
	5	#10	LSNYD2-5S	5.3(.209)	8.1(.319)					
	5	#10	LSNYD2-5L	5.3(.209)	9.3(.366)					
4-6 (12-10)	3.5	#6	LSNYD5-3.7	3.7(.146)	8.3(.327)	25.2(.992)	13.0(.512)	3.4(.134)	500	Yellow
	4	#8	LSNYD5-4	4.3(.169)	8.3(.327)					
	5	#10	LSNYD5-5	5.3(.209)	9.0(.354)					
	6	1/4 "	LSNYD5-6	6.4(.252)	12.0(.472)					

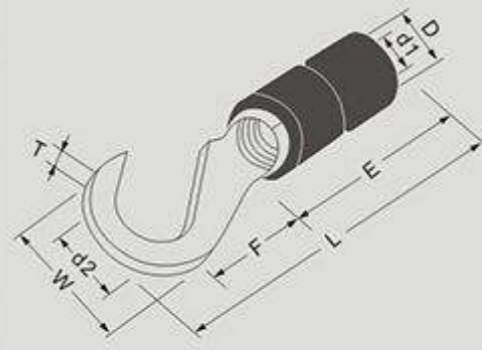


- Material**
 - Insulation: Nylon
 - Terminal Body: Copper
 - Metallic Sleeve: Copper
 - Plating: Tin
- Character:**
 - Heat Resistance 105°C
 - Easy Entry
 - Better Conduct Connection



FLANGE SPADE TERMINALS

WIRE RANGE mm ² (A.W.G.)	STUD SIZE		ITEM NO .	DIMENSION mm(inch)					PCS/PACK	COLOR
	Metric (mm)	American (inch)		d2	W	L	E	d1		
0.5-1.5 (22-16)	3	#4	FSNYD1-3.2	3.2(.126)	7.5(.295)	20.0(.787)	11.0(.433)	1.7(.067)	1000	Red
	3	#4	FSNYD1-3.2S	3.2(.126)	6.4(.252)					
	3.5	#6	FSNYD1-3.7	3.7(.146)	7.5(.295)					
	3.5	#6	FSNYD1-3.7S	3.7(.146)	6.4(.252)					
	3.5	#6	FSNYD1-3.7L	3.7(.146)	8.5(.335)	25.5(1.004)				
	4	#8	FSNYD1-4	4.3(.169)	7.5(.295)	20.0(.787)				
	4	#8	FSNYD1-4L	4.3(.169)	8.5(.335)	25.5(1.004)				
	5	#10	FSNYD1-5	5.3(.209)	7.5(.295)	20.0(.787)				
1.5-2.5 (16-14)	5	#10	FSNYD1-5L	5.3(.209)	8.5(.335)	25.5(1.004)	11.0(.433)	2.3(.091)	1000	Blue
	3.5	#6	FSNYD2-3.7	3.7(.146)	7.5(.295)	20.5(.807)				
	3.5	#6	FSNYD2-3.7L	3.7(.146)	8.5(.335)	24.0(.945)				
	4	#8	FSNYD2-4	4.3(.169)	7.5(.295)	20.5(.807)				
	4	#8	FSNYD2-4M	4.3(.169)	8.0(.315)	24.5(.965)				
	4	#8	FSNYD2-4L	4.3(.169)	8.5(.335)	24.0(.945)				
	5	#10	FSNYD2-5	5.3(.209)	7.5(.295)	20.5(.807)				
4-6 (12-10)	5	#10	FSNYD2-5L	5.3(.209)	8.5(.335)	24.0(.945)	13.0(.512)	3.4(.134)	500	Yellow
	3.5	#6	FSNYD5-3.7	3.7(.146)	8.5(.335)	27.0(1.063)				
	3.5	#6	FSNYD5-3.7S	3.7(.146)	7.6(.299)	25.5(1.004)				
	4	#8	FSNYD5-4	4.3(.169)	8.5(.335)	27.0(1.063)				
	4	#8	FSNYD5-4S	4.3(.169)	7.6(.299)	25.5(1.004)				
	5	#10	FSNYD5-5	5.3(.209)	8.5(.335)	27.0(1.063)				
5	#10	FSNYD5-5S	5.3(.209)	7.6(.299)	25.5(1.004)					

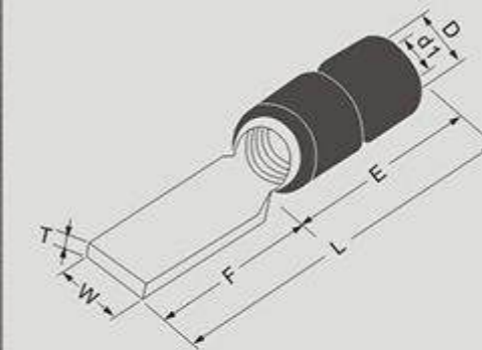


- **Material**
- Insulation: Nylon
- Terminal Body: Copper
- Metallic Sleeve: Copper
- Plating: Tin
- **Character:**
- Heat Resistance 105°C
- Easy Entry
- Better Conduct Connection



HOOK TERMINALS

WIRE RANGE mm ² (A.W.G.)	STUD SIZE		ITEM NO .	DIMENSION mm(inch)					PCS/PACK	COLOR		
	Metric (mm)	American (inch)		d2	W	L	E	d1				
0.5-1.5 (22-16)	3.5	#6	HNYD1-3.7	3.7(.146)	8.0(.315)	21.8(.858)	11.0(.433)	1.7(.067)	1000	Red		
	4	#8	HNYD1-4	4.3(.169)								
	5	#10	HNYD1-5	5.3(.209)								
	6	1/4 "	HNYD1-6	6.4(.252)							11.6(.457)	27.8(1.094)
1.5-2.5 (16-14)	3.5	#6	HNYD2-3.7	3.7(.146)	8.5(.335)	22.8(.898)	11.0(.433)	2.3(.091)	1000	Blue		
	4	#8	HNYD2-4	4.3(.169)								
	5	#10	HNYD2-5	5.3(.209)							9.5(.374)	
	6	1/4 "	HNYD2-6	6.4(.252)							12.0(.472)	27.8(1.094)
4-6 (12-10)	3.5	#6	HNYD5-3.7	3.7(.146)	9.5(.374)	26.8(1.055)	13.0(.512)	3.4(.134)	500	Yellow		
	4	#8	HNYD5-4	4.3(.169)								
	5	#10	HNYD5-5	5.3(.209)								
	6	1/4 "	HNYD5-6	6.4(.252)							12.0(.472)	29.5(1.164)
	8	5/16 "	HNYD5-8	8.1(.331)							15.0(.591)	34.0(1.139)


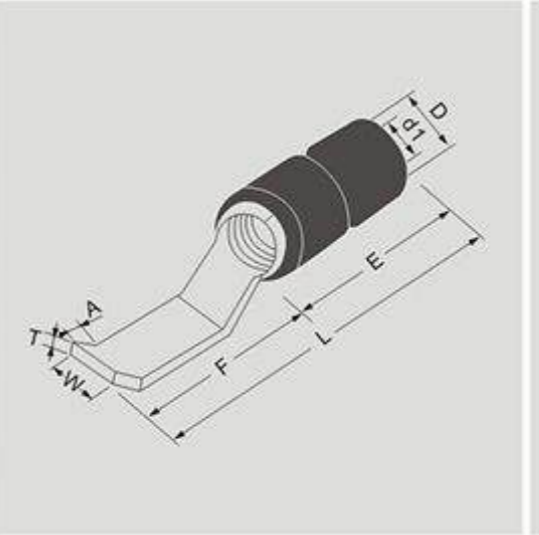


- **Material**
- Insulation: Nylon
- Terminal Body: Copper
- Metallic Sleeve: Copper
- Plating: Tin
- **Character:**
- Heat Resistance 105°C
- Easy Entry
- Better Conduct Connection




BLADE TERMINALS

WIRE RANGE mm ² (A.W.G.)	ITEM NO .	DIMENSION mm(inch)				PCS/PACK	COLOR
		W	L	F	d1		
0.5-1.5 (22-16)	DBNYD1-9	2.8(.110)	9.0(.354)	19.8(.780)	1.7(.067)	1000	Red
	DBNYD1-10	2.3(.091)	10.0(.394)	20.8(.819)			
	DBNYD1-11	3.0(.118)	11.0(.433)	21.8(.858)			
	DBNYD1-13	3.0(.118)	13.0(.512)	23.8(.937)			
	DBNYD1-14	3.0(.118)	14.0(.551)	24.8(.976)			
	DBNYD1-18	2.2(.087)	18.0(.709)	28.8(1.134)			
	DBNYD1-18S	2.0(.079)	18.0(.709)	28.8(1.134)			
1.5-2.5 (16-14)	DBNYD2-9	2.8(.110)	9.0(.354)	19.8(.780)	2.3(.091)	1000	Blue
	DBNYD2-10	2.4(.094)	10.0(.394)	20.8(.819)			
	DBNYD2-13	2.4(.094)	13.0(.512)	23.8(.937)			
	DBNYD2-13L	3.0(.118)	13.0(.512)	23.8(.937)			
	DBNYD2-14	2.4(.094)	14.0(.551)	24.8(.976)			
	DBNYD2-14L	3.0(.118)	14.0(.551)	24.8(.976)			
	DBNYD2-18S	2.0(.079)	18.0(.709)	28.8(1.134)			
	DBNYD2-18	2.2(.087)	18.0(.709)	28.8(1.134)			
	DBNYD2-18L	2.8(.110)	18.0(.709)	28.8(1.134)			
	DBNYD5-10	2.8(.110)	10.0(.394)	23.0(.906)			
DBNYD5-14S	4.0(.157)	14.0(.551)	27.0(1.063)				
DBNYD5-14	4.5(.177)	14.0(.551)	27.0(1.063)				
DBNYD5-18S	2.0(.079)	18.0(.709)	31.0(1.220)	3.6(.142)			
DBNYD5-18	4.5(.177)	18.0(.709)	31.0(1.220)	3.4(.134)			


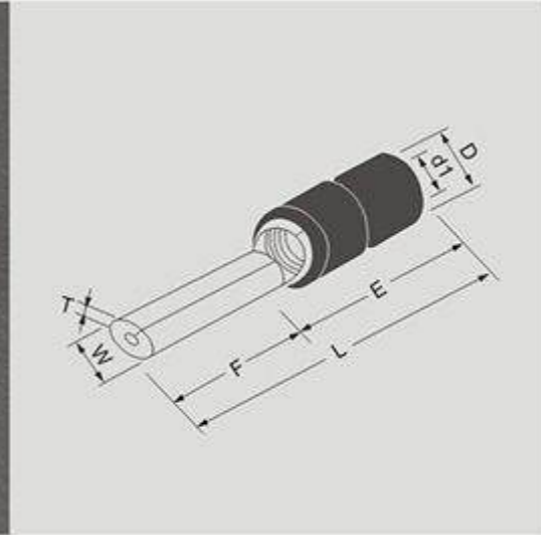



- **Material**
- Insulation: Nylon
- Terminal Body: Copper
- Metallic Sleeve: Copper
- Plating: Tin
- **Character:**
- Heat Resistance 105°C
- Easy Entry
- Better Conduct Connection




LIPPED BLADE TERMINALS

WIRE RANGE mm ² (A.W.G.)	ITEM NO .	DIMENSION mm(inch)				PCS/PACK	COLOR
		W	L	F	d1		
0.5-1.5 (22-16)	LBNYD1-3	3.0(.118)	28.2(1.110)	11.0(.433)	1.7(.067)	1000	
	LBNYD1-4.6	4.6(.181)					
1.5-2.5 (16-14)	LBNYD2-3	3.0(.118)	28.2(1.110)	11.0(.433)	2.3(.091)	1000	
	LBNYD2-4.6	4.6(.181)					
4-6 (12-10)	LBNYD5-3	3.0(.118)	30.2(1.189)	13.0(.512)	3.4(.134)	500	
	LBNYD5-4.6	4.6(.181)					


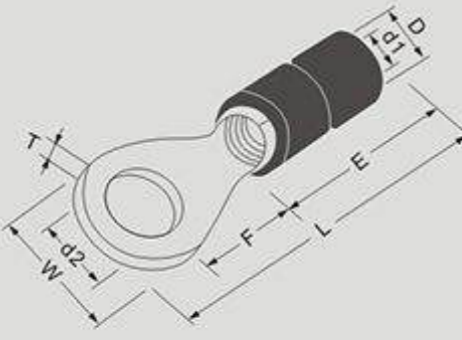



- **Material**
- Insulation: Nylon
- Terminal Body: Copper
- Metallic Sleeve: Copper
- Plating: Tin
- **Character:**
- Heat Resistance 105°C
- Easy Entry
- Better Conduct Connection




PIN TERMINALS

WIRE RANGE mm ² (A.W.G.)	ITEM NO .	DIMENSION mm(inch)				PCS/PACK	COLOR
		W	L	F	d1		
0.5-1.5 (22-16)	PTNYD1-9	1.9(.075)	9.0(.354)	19.8(.780)	1.7(.067)	1000	
	PTNYD1-10		10.0(.394)	20.8(.819)			
	PTNYD1-12		12.0(.472)	22.8(.898)			
	PTNYD1-13		13.0(.512)	23.8(.937)			
	PTNYD1-14		14.0(.551)	24.8(.976)			
	PTNYD1-16		16.0(.630)	27.0(1.063)			
1.5-2.5 (16-14)	PTNYD2-9	1.9(.075)	9.0(.354)	19.8(.780)	2.3(.091)	1000	
	PTNYD2-10		10.0(.394)	20.8(.819)			
	PTNYD2-12		12.0(.472)	22.8(.898)			
	PTNYD2-13		13.0(.512)	23.8(.937)			
	PTNYD2-16		16.0(.630)	27.0(1.063)			
4-6 (12-10)	PTNYD5-13	2.8(.110)	14.0(.551)	27.0(1.063)	3.4(.134)	500	


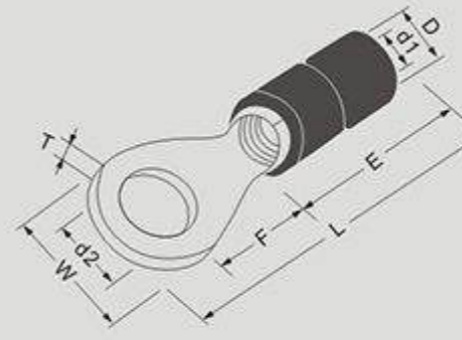



- **Material**
- Insulation: Vinyl
- Terminal Body: Copper
- Metallic Sleeve: Copper
- Plating: Tin
- **Character:**
- Easy Entry
- Better Conduct Connection




RING TERMINALS

WIRE RANGE mm ² (A.W.G.)	STUD SIZE		ITEM NO .	DIMENSION mm(inch)					PCS/PACK	COLOR		
	Metric (mm)	American (inch)		d2	W	L	E	d1				
0.5-1.5 (22-16)	3	#4	RD1-3.2	3.2(.216)	5.5(.216)	18.0(.709)	10.5(.413)	1.7(.067)	1000	Red		
	3.5	#6	RD1-3.7S	3.7(.146)								
	3.5	#6	RD1-3.7M	3.7(.146)	6.6(.260)	19.9(.783)						
	3.5	#6	RD1-3.7L	3.7(.146)	8.0(.315)	21.3(.839)						
	4	#8	RD1-4S	4.3(.169)	6.6(.260)	19.9(.783)						
	4	#8	RD1-4L	4.3(.169)	8.0(.315)	21.3(.839)						
	5	#10	RD1-5	5.3(.209)								
	5	#10	RD1-5L	5.3(.209)	11.6(.457)	27.3(1.075)						
	6	1/4 "	RD1-6	6.4(.252)								
	8	5/16 "	RD1-8	8.4(.331)	13.6(.535)	31.0(1.220)						
	10	3/8 "	RD1-10	10.5(.413)								
	12	1/2 "	RD1-12	13.0(.512)							19.6(.756)	35.9(1.413)
	14	9/16 "	RD1-14	15.0(.591)							27.0(1.063)	44.8(1.764)
	16	5/8 "	RD1-16	17.0(.669)								
20	3/4 "	RD1-20	21.0(.827)									
1.5-2.5 (16-14)	3	#4	RD2-3.2	3.2(.126)	6.6(.260)	18.3(.720)	10.5(.413)	2.3(.091)	1000	Blue		
	3.5	#6	RD2-3.7S	3.7(.146)		19.9(.783)						
	3.5	#6	RD2-3.7M	3.7(.146)	8.5(.335)	22.3(.878)						
	3.5	#6	RD2-3.7L	3.7(.146)	6.6(.260)	19.9(.783)						
	4	#8	RD2-4S	4.3(.169)	8.5(.335)	22.3(.878)						
	4	#8	RD2-4L	4.3(.169)								

- **Material**
- Insulation: Vinyl
- Terminal Body: Copper
- Metallic Sleeve: Copper
- Plating: Tin
- **Character:**
- Easy Entry
- Better Conduct Connection


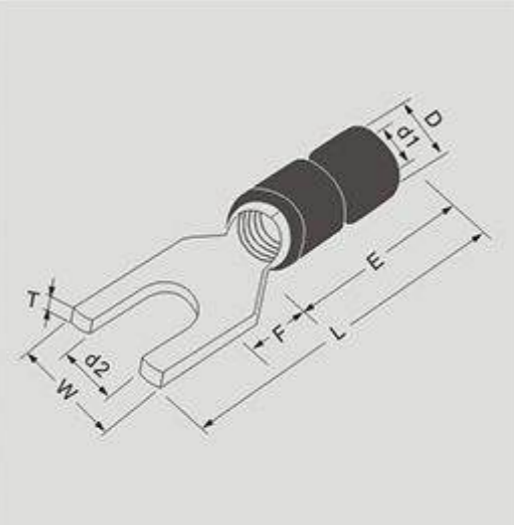


RING TERMINALS


WIRE RANGE mm ² (A.W.G.)	STUD SIZE		ITEM NO .	DIMENSION mm(inch)					PCS/PACK	COLOR
	Metric (mm)	American (inch)		d2	W	L	E	d1		
1.5-2.5 (16-14)	5	#10	RD2-5S	5.3(.209)	8.5(.335)	22.3(.878)	10.5(.413)	2.3(.091)	1000	Blue
	5	#10	RD2-5L	5.3(.209)	9.5(.374)					
	6	1/4 "	RD2-6	6.4(.252)	12.0(.472)	27.3(1.075)				
	8	5/16 "	RD2-8	8.4(.331)	12.0(.472)	27.3(1.075)				
	10	3/8 "	RD2-10	10.5(.413)	13.6(.535)	31.0(1.220)				
	12	1/2 "	RD2-12	13.0(.512)	19.2(.756)	35.9(1.413)				
	14	9/16 "	RD2-14	15.0(.591)	27.0(1.063)	44.8(1.764)				
	16	5/8 "	RD2-16	17.0(.669)						
	20	3/4 "	RD2-20	21.0(.827)						
	4-6 (12-10)	3.5	#6	RD5-3.7	3.7(.146)	7.2(.283)				
4		#8	RD5-4S	4.3(.169)	9.5(.374)	27.1(1.066)				
4		#8	RD5-4L	4.3(.169)						
5		#10	RD5-5	5.3(.209)	12.0(.472)	30.0(1.142)				
6		1/4 "	RD5-6	6.4(.252)						
6		1/4 "	RD5-6M	6.4(.252)	32.5(1.280)					
8		5/16 "	RD5-8	8.4(.331)	15.0(.591)	34.5(1.358)				
10		3/8 "	RD5-10	10.5(.413)	19.2(.756)	39.1(1.539)				
14		9/16 "	RD5-14	15.0(.591)	32.0(1.260)	54.7(2.154)				
16		5/8 "	RD5-16	17.0(.669)						
20	3/4 "	RD5-20	21.0(.827)							

Vinyl Insulated - Double Crimp




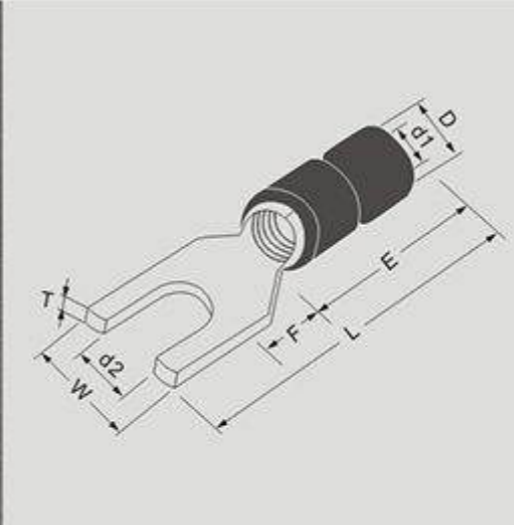



- **Material**
- Insulation: Vinyl
- Terminal Body: Copper
- Metallic Sleeve: Copper
- Plating: Tin
- **Character:**
- Easy Entry
- Better Conduct Connection




Vinyl Insulated - Double Crimp



- **Material**
- Insulation: Vinyl
- Terminal Body: Copper
- Metallic Sleeve: Copper
- Plating: Tin
- **Character:**
- Easy Entry
- Better Conduct Connection


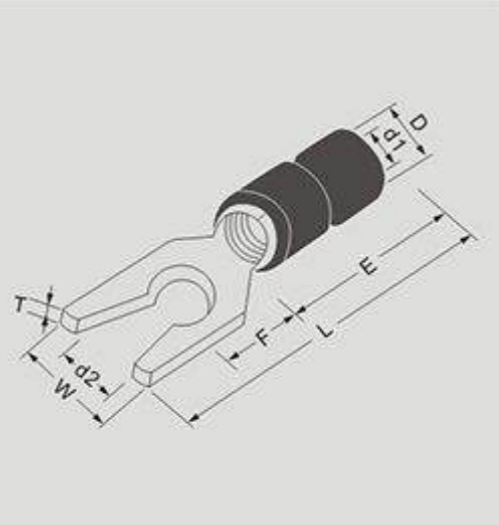


SPADE TERMINALS


WIRE RANGE mm ² (A.W.G.)	STUD SIZE		ITEM NO .	DIMENSION mm(inch)					PCS/PACK	COLOR	
	Metric (mm)	American (inch)		d2	W	L	E	d1			
0.5-1.5 (22-16)	3	#4	SD1-3.2	3.2(.126)	5.7(.224)	21.5(.846)	10.5(.413)	1.7(0.67)	1000	Red	
	3.5	#6	SD1-3.7S	3.7(.146)							
	3.5	#6	SD1-3.7L	3.7(.146)							
	3.5	#6	SD1-3.7LL	3.7(.146)							
	4	#8	SD1-4S	4.3(.169)							
	4	#8	SD1-4M	4.3(.169)	7.2(.283)						
	4	#8	SD1-4L	4.3(.169)	8.1(.319)						
	5	#10	SD1-5L	5.3(.209)	21.5(.846)						
	6	1/4 "	SD1-5L	5.3(.209)	9.5(.374)						
	6	1/4 "	SD1-6S	6.4(.252)							
1.5-2.5 (16-14)	6	1/4 "	SD1-6L	6.4(.252)	12.0(.472)	27.5(1.083)					
	3	#4	SD2-3.2	3.2(.126)	5.7(.224)	21.5(.846)	10.5(.413)	2.3(.091)	1000	Blue	
	3.5	#6	SD2-3.7S	3.7(.146)							
	3.5	#6	SD2-3.7L	3.7(.146)							6.0(.236)
	3.5	#6	SD2-3.7LL	3.7(.146)							7.2(.283)
	4	#8	SD2-4S	4.3(.169)							6.4(.252)
	4	#8	SD2-4M	4.3(.169)	7.2(.283)						
	4	#8	SD2-4L	4.3(.169)	7.9(.311)						
	5	#10	SD2-5S	5.3(.209)	21.5(.846)						
	5	#10	SD2-5L	5.3(.209)	9.3(.366)						
6	1/4 "	SD2-6S	6.4(.252)								
6	1/4 "	SD2-6L	6.4(.252)	12.0(.472)	27.5(1.083)						

SPADE TERMINALS

WIRE RANGE mm ² (A.W.G.)	STUD SIZE		ITEM NO .	DIMENSION mm(inch)					PCS/PACK	COLOR
	Metric (mm)	American (inch)		d2	W	L	E	d1		
4-6 (12-10)	3.5	#6	SD5-3.7S	3.7(.146)	7.2(.283)	24.9(.980)	13.5(.531)	3.4(.134)	500	Yellow
	3.5	#6	SD5-3.7	3.7(.146)	8.3(.327)	26.0(1.024)				
	4	#8	SD5-4SS	4.3(.169)	7.2(.283)	24.9(.980)				
	4	#8	SD5-4S	4.3(.169)	8.3(.327)	26.0(1.024)				
	4	#8	SD5-4L	4.3(.169)	9.0(.283)					
	5	#10	SD5-5	5.3(.209)	9.0(.283)					
	6	1/4 "	SD5-6S	6.4(.252)						
	6	1/4 "	SD5-6L	6.4(.252)	12.0(.472)	32.0(1.260)				
	8	5/16 "	SD5-8	8.4(.315)	14.0(.551)	31.0(1.220)				


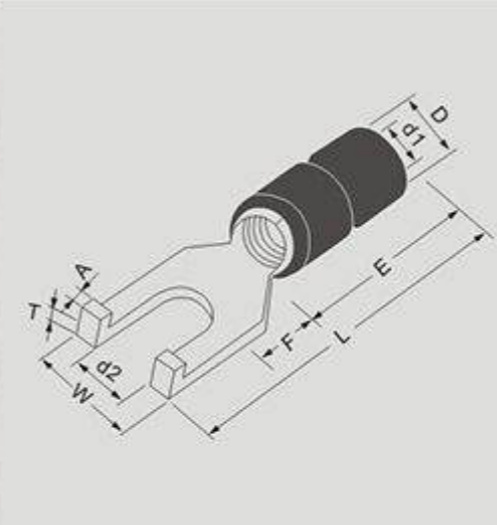



- **Material**
- Insulation: Vinyl
- Terminal Body: Copper
- Metallic Sleeve: Copper
- Plating: Tin
- **Character:**
- Easy Entry
- Better Conduct Connection




LOCKING SPADE TERMINALS

WIRE RANGE mm ² (A.W.G.)	STUD SIZE		ITEM NO .	DIMENSION mm(inch)					PCS/PACK	COLOR
	Metric (mm)	American (inch)		d2	W	L	E	d1		
0.5-1.5 (22-16)	3.5	#6	LSD1-3.7	3.7(.146)	6.4(.252)	21.5(.846)	10.5(.413)	1.7(.067)	1000	Red
	4	#8	LSD1-4S	4.3(.169)	7.2(.283)					
	4	#8	LSD1-4L	4.3(.169)	8.1(.319)					
	5	#10	LSD1-5S	5.3(.209)	8.1(.319)					
	5	#10	LSD1-5L	5.3(.209)	9.5(.374)					
1.5-2.5 (16-14)	3.5	#6	LSD2-3.7	3.7(.146)	6.0(.236)	21.5(.846)	10.5(.413)	2.3(.091)	1000	Blue
	4	#8	LSD2-4S	4.3(.169)	7.2(.283)					
	4	#8	LSD2-4L	4.3(.169)	8.1(.319)					
	5	#10	LSD2-5S	5.3(.209)	8.1(.319)					
	5	#10	LSD2-5L	5.3(.209)	9.3(.366)					
4-6 (12-10)	3.5	#6	LSD5-3.7	3.7(.146)	8.3(.327)	25.7(1.012)	13.5(.531)	3.4(.134)	500	Yellow
	4	#8	LSD5-4	4.3(.169)	8.3(.327)					
	5	#10	LSD5-5	5.3(.209)	9.0(.354)					
	6	1/4 "	LSD5-6	6.4(.252)	12.0(.472)					


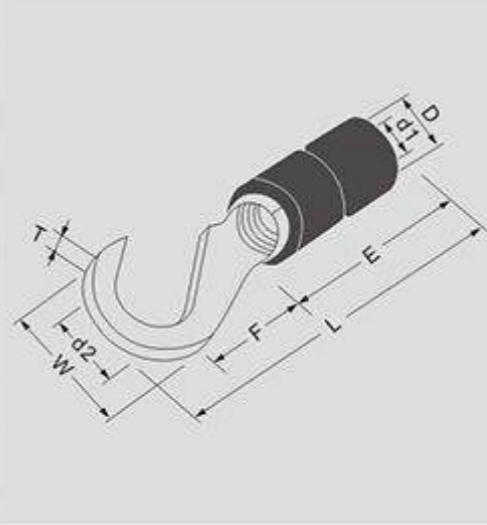



- **Material**
- Insulation: Vinyl
- Terminal Body: Copper
- Metallic Sleeve: Copper
- Plating: Tin
- **Character:**
- Easy Entry
- Better Conduct Connection




FLANGE SPADE TERMINALS

WIRE RANGE mm ² (A.W.G.)	STUD SIZE		ITEM NO .	DIMENSION mm(inch)					PCS/PACK	COLOR
	Metric (mm)	American (inch)		d2	W	L	E	d1		
0.5-1.5 (22-16)	3	#4	FSD1-3.2	3.2(.126)	7.5(.295)	19.5(.768)	10.5(.413)	1.7(.067)	1000	Red
	3	#4	FSD1-3.2S	3.2(.126)	6.4(.252)					
	3.5	#6	FSD1-3.7	3.7(.146)	7.5(.295)					
	3.5	#6	FSD1-3.7S	3.7(.146)	6.4(.252)					
	3.5	#6	FSD1-3.7L	3.7(.146)	8.5(.335)	25.0(.984)				
	4	#8	FSD1-4	4.3(.169)	7.5(.295)	19.5(.768)				
	4	#8	FSD1-4L	4.3(.169)	8.5(.335)	25.0(.984)				
	5	#10	FSD1-5	5.3(.209)	7.5(.295)	19.5(.768)				
1.5-2.5 (16-14)	3.5	#6	FSD2-3.7	3.7(.146)	7.5(.295)	20.0(.787)	10.5(.413)	2.3(.091)	1000	Blue
	3.5	#6	FSD2-3.7L	3.7(.146)	8.5(.335)	23.5(.925)				
	4	#8	FSD2-4	4.3(.169)	7.5(.295)	20.0(.787)				
	4	#8	FSD2-4M	4.3(.169)	8.0(.315)	24.0(.945)				
	4	#8	FSD2-4L	4.3(.169)	8.5(.335)	23.5(.925)				
	5	#10	FSD2-5	5.3(.209)	7.5(.295)	20.0(.787)				
	5	#10	FSD2-5L	5.3(.209)	8.5(.335)	23.5(.925)				
	4-6 (12-10)	3.5	#6	FSD5-3.7	3.7(.146)	8.5(.335)				
3.5		#6	FSD5-3.7S	3.7(.146)	7.6(.299)	26.0(1.024)				
4		#8	FSD5-4	4.3(.169)	8.5(.335)	27.5(1.083)				
4		#8	FSD5-4S	4.3(.169)	7.6(.299)	26.0(1.024)				
5		#10	FSD5-5	5.3(.209)	8.5(.335)	27.5(1.083)				
5		#10	FSD5-5S	5.3(.209)	7.6(.299)	26.0(1.024)				

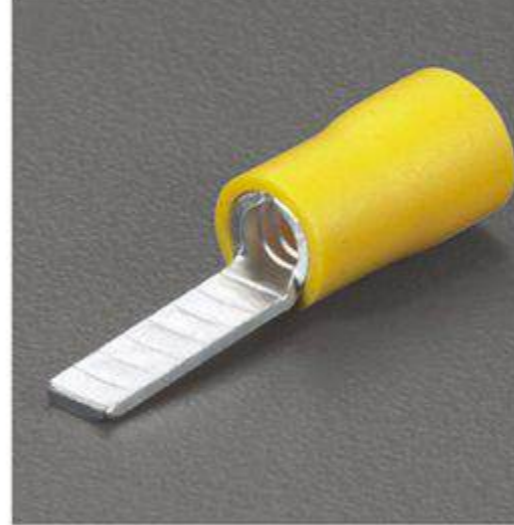
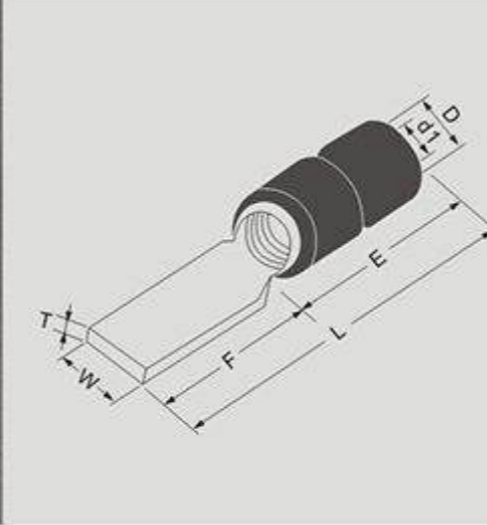



- **Material**
- Insulation: Vinyl
- Terminal Body: Copper
- Metallic Sleeve: Copper
- Plating: Tin
- **Character:**
- Easy Entry
- Better Conduct Connection




HOOK TERMINALS

WIRE RANGE mm ² (A.W.G.)	STUD SIZE		ITEM NO .	DIMENSION mm(inch)					PCS/PACK	COLOR		
	Metric (mm)	American (inch)		d2	W	L	E	d1				
0.5-1.5 (22-16)	3.5	#6	HD1-3.7	3.7(.146)	8.0(.315)	21.3(.839)	10.5(.413)	1.7(.067)	1000	Red		
	4	#8	HD1-4	4.3(.169)								
	5	#10	HD1-5	5.3(.209)								
	6	1/4 "	HD1-6	6.4(.252)							11.6(.457)	27.3(1.075)
1.5-2.5 (16-14)	3.5	#6	HD2-3.7	3.7(.146)	8.5(.335)	22.3(.878)	10.5(.413)	2.3(.091)	1000	Blue		
	4	#8	HD2-4	4.3(.169)								
	5	#10	HD2-5	5.3(.209)							9.5(.374)	
	6	1/4 "	HD2-6	6.4(.252)							12.0(.472)	27.3(1.075)
4-6 (12-10)	3.5	#6	HD5-3.7	3.7(.146)	9.5(.374)	27.3(1.075)	13.5(.531)	3.4(.134)	500	Yellow		
	4	#8	HD5-4	4.3(.169)								
	5	#10	HD5-5	5.3(.209)								
	6	1/4 "	HD5-6	6.4(.252)							12.0(.472)	30.0(1.181)
	8	5/16 "	HD5-8	8.4(.331)							15.0(.591)	34.5(1.358)

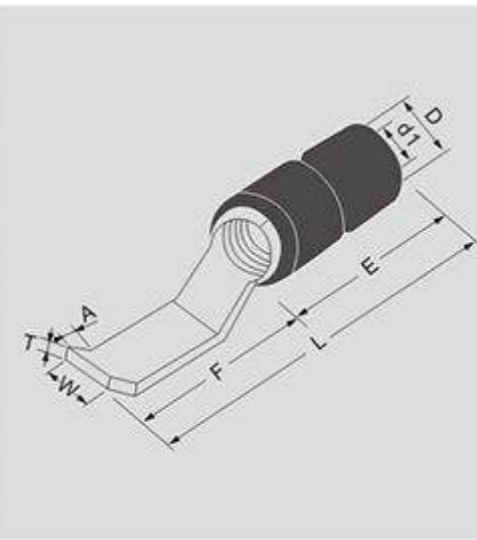
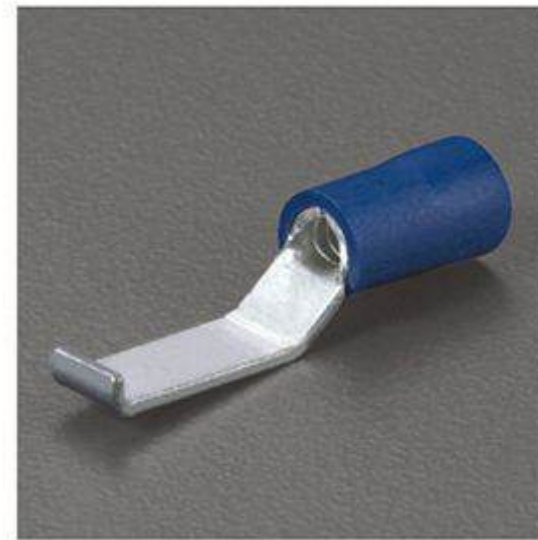



- **Material**
- Insulation: Vinyl
- Terminal Body: Copper
- Metallic Sleeve: Copper
- Plating: Tin
- **Character:**
- Easy Entry
- Better Conduct Connection

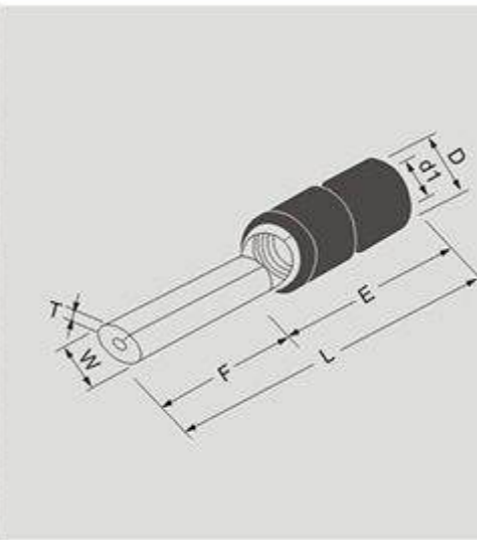
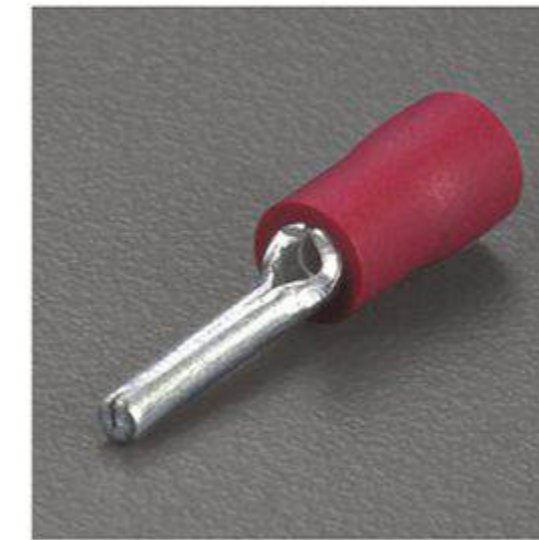


BLADE TERMINALS

WIRE RANGE mm ² (A.W.G.)	ITEM NO .	DIMENSION mm(inch)				PCS/PACK	COLOR	
		W	L	F	d1			
0.5-1.5 (22-16)	DBD1-9	2.8(.110)	9.0(.354)	19.3(.760)	1.7(.067)	1000	Red	
	DBD1-10	2.3(.091)	10.0(.394)	20.3(.799)				
	DBD1-11	3.0(.118)	11.0(.433)	21.3(.839)				
	DBD1-13	3.0(.118)	13.0(.512)	23.3(.917)				
	DBD1-14	3.0(.118)	14.0(.551)	24.3(.957)				
	DBD1-18	2.2(.087)	18.0(.709)	28.3(1.141)				
	DBD1-18S	2.0(.079)						
1.5-2.5 (16-14)	DBD2-9	2.8(.110)	9.0(.354)	19.3(.760)	2.3(.091)	1000	Blue	
	DBD2-10	2.4(.094)	10.0(.394)	20.3(.799)				
	DBD2-13	2.4(.094)	13.0(.512)	23.3(.917)				
	DBD2-13L	3.0(.118)						
	DBD2-14	2.4(.094)	14.0(.551)	24.3(.957)				
	DBD2-14L	3.0(.118)						
	DBD2-18S	2.0(.079)	18.0(.709)	28.3(1.141)				
	DBD2-18	2.2(.087)						
	DBD2-18L	2.8(.110)						
4-6 (12-10)	DBD5-10	2.8(.110)	10.0(.394)	23.5(.925)	3.4(.134)	500	Yellow	
	DBD5-14S	4.0(.157)	14.0(.551)	27.5(1.083)				
	DBD5-14	4.5(.177)	14.0(.551)					
	DBD5-18S	2.0(.079)	18.0(.709)	31.5(1.240)				3.6(.142)
	DBD5-18	4.5(.177)	18.0(.709)					3.4(.134)



- **Material**
- Insulation: Vinyl
- Terminal Body: Copper
- Metallic Sleeve: Copper
- Plating: Tin
- **Character:**
- Easy Entry
- Better Conduct Connection



- **Material**
- Insulation: Vinyl
- Terminal Body: Copper
- Metallic Sleeve: Copper
- Plating: Tin
- **Character:**
- Easy Entry
- Better Conduct Connection



LIPPED BLADE TERMINALS


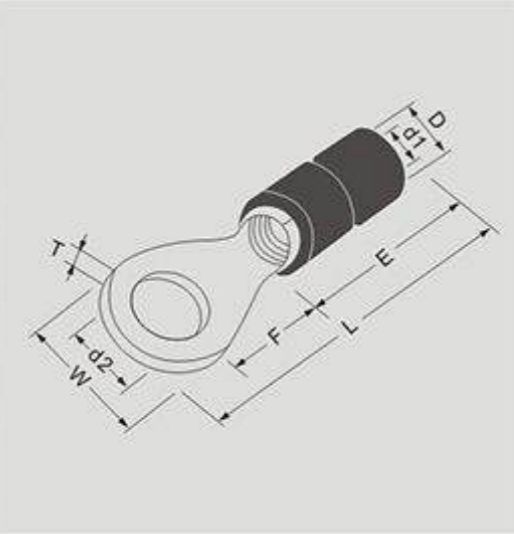
WIRE RANGE mm ² (A.W.G.)	ITEM NO .	DIMENSION mm(inch)				PCS/PACK	COLOR
		W	L	F	d1		
0.5-1.5 (22-16)	LBD1-3	3.0(.118)	27.7(1.091)	10.5(.413)	1.7(.067)	1000	Red
	LBD1-4.6	4.6(.181)					
1.5-2.5 (16-14)	LBD2-3	3.0(.118)	27.7(1.091)	10.5(.413)	2.3(.091)	1000	Blue
	LBD2-4.6	4.6(.181)					
4-6 (12-10)	LBD5-3	3.0(.118)	30.7(1.209)	13.5(.531)	3.4(.134)	500	Yellow
	LBD5-4.6	4.6(.181)					

PIN TERMINALS


WIRE RANGE mm ² (A.W.G.)	ITEM NO .	DIMENSION mm(inch)				PCS/PACK	COLOR
		W	L	F	d1		
0.5-1.5 (22-16)	PTD1-9	1.9(.075)	9.0(.354)	19.3(.760)	1.7(.067)	1000	Red
	PTD1-10		10.0(.394)	20.3(.799)			
	PTD1-12		12.0(.472)	22.3(.878)			
	PTD1-13		13.0(.512)	23.3(.917)			
	PTD1-14		14.0(.551)	24.3(.957)			
	PTD1-16		16.0(.630)	26.3(1.035)			
1.5-2.5 (16-14)	PTD2-9	1.9(.075)	9.0(.354)	19.3(.760)	2.3(.091)	1000	Blue
	PTD2-10		10.0(.394)	20.3(.799)			
	PTD2-12		12.0(.472)	22.3(.878)			
	PTD2-13		13.0(.512)	23.3(.917)			
	PTD2-16		16.0(.630)	26.5(1.043)			
4-6 (12-10)	PTD5-13	2.8(.110)	14.0(.551)	27.5(1.083)	3.4(.134)	500	Yellow

Nylon Insulated - Single Crimp




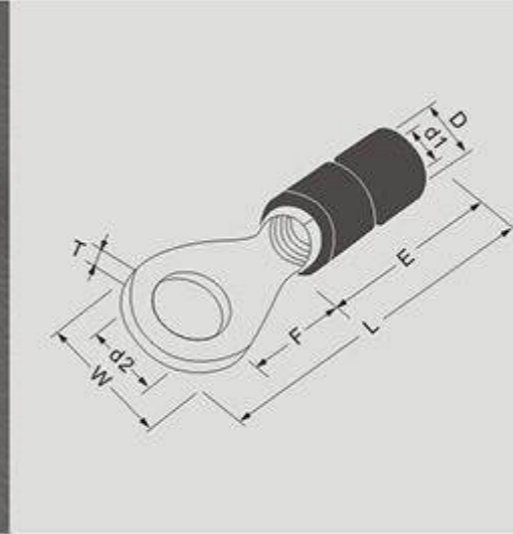



- **Material**
- Insulation: Nylon
- Terminal Body: Copper
- Plating: Tin
- **Character:**
- Heat Resistance 105°C
- Easy Entry




Nylon Insulated - Single Crimp



- **Material**
- Insulation: Nylon
- Terminal Body: Copper
- Plating: Tin
- **Character:**
- Heat Resistance 105°C
- Easy Entry



RING TERMINALS


WIRE RANGE mm ² (A.W.G.)	STUD SIZE		ITEM NO .	DIMENSION mm(inch)					PCS/PACK	COLOR
	Metric (mm)	American (inch)		d2	W	L	E	d1		
0.5-1.5 (22-16)	3	#4	RNY1-3.2	3.2(.216)	5.5(.216)	18.5(.728)	11.0(.433)	1.7(.067)	1000	Red
	3.5	#6	RNY1-3.7S	3.7(.146)						
	3.5	#6	RNY1-3.7M	3.7(.146)	6.6(.260)	20.4(.803)				
	3.5	#6	RNY1-3.7L	3.7(.146)	8.0(.315)	21.8(.858)				
	4	#8	RNY1-4S	4.3(.169)	6.6(.260)	20.4(.803)				
	4	#8	RNY1-4L	4.3(.169)	8.0(.315)	21.8(.858)				
	5	#10	RNY1-5	5.3(.209)						
	5	#10	RNY1-5L	5.3(.209)						
	6	1/4 "	RNY1-6	6.4(.252)	11.6(.457)	27.8(1.094)				
	8	5/16 "	RNY1-8	8.4(.331)						
	10	3/8 "	RNY1-10	10.5(.413)	13.6(.535)	31.5(1.240)				
	12	1/2 "	RNY1-12	13.0(.512)	19.6(.756)	36.4(1.433)				
	14	9/16 "	RNY1-14	15.0(.591)						
	16	5/8 "	RNY1-16	17.0(.669)	27.0(1.063)	45.3(1.783)				
20	3/4 "	RNY1-20	21.0(.827)							
1.5-2.5 (16-14)	3	#4	RNY2-3.2	3.2(.126)	6.6(.260)	18.8(.740)	11.0(.433)	2.3(.091)	1000	Blue
	3.5	#6	RNY2-3.7S	3.7(.146)		20.4(.803)				
	3.5	#6	RNY2-3.7M	3.7(.146)	20.4(.803)					
	3.5	#6	RNY2-3.7L	3.7(.146)	8.5(.335)	22.8(.898)				
	4	#8	RNY2-4S	4.3(.169)	6.6(.260)	20.4(.803)				

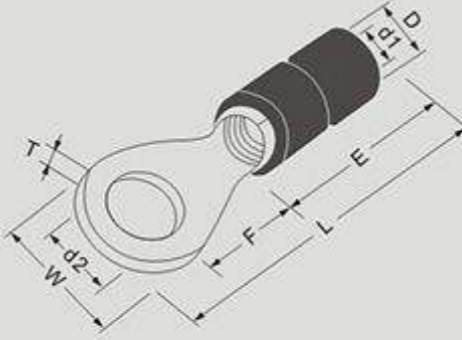
RING TERMINALS

WIRE RANGE mm ² (A.W.G.)	STUD SIZE		ITEM NO .	DIMENSION mm(inch)					PCS/PACK	COLOR				
	Metric (mm)	American (inch)		d2	W	L	E	d1						
1.5-2.5 (16-14)	4	#8	RNY2-4L	4.3(.169)	8.5(.335)	11.0(.433)	2.3(.091)	1000	Blue					
	5	#10	RNY2-5S	5.3(.209)										
	5	#10	RNY2-5L	5.3(.209)	9.5(.374)									
	6	1/4 "	RNY2-6	6.4(.252)	12.0(.472)					27.8(1.094)				
	8	5/16 "	RNY2-8	8.4(.331)	12.0(.472)					27.8(1.094)				
	10	#10	RNY2-10	10.5(.413)	13.6(.535)					31.5(1.240)				
	12	1/2 "	RNY2-12	13.0(.512)	19.2(.756)					36.4(1.433)				
	14	9/16 "	RNY2-14	15.0(.591)	27.0(1.063)					45.3(1.783)				
	16	5/8 "	RNY2-16	17.0(.669)										
	20	3/4 "	RNY2-20	21.0(.827)										
	4-6 (12-10)	3.5	#6	RNY5-3.7	3.7(.146)					7.2(.283)	13.0(.512)	3.4(.134)	500	Yellow
		4	#8	RNY5-4S	4.3(.169)									
4		#8	RNY5-4L	4.3(.169)	9.5(.374)	26.0(1.023)								
5		#10	RNY5-5	5.3(.209)										
6		1/4 "	RNY5-6	6.4(.252)	12.0(.472)	29.5(1.161)								
6		1/4 "	RNY5-6M	6.4(.252)		32.0(1.260)								
8		5/16 "	RNY5-8	8.4(.331)	15.0(.591)	34.0(1.339)								
10		3/8 "	RNY5-10	10.5(.413)										
12	1/2 "	RNY5-12	13.0(.512)	19.2(.756)	38.6(1.520)									


Nylon Insulated - Single Crimp








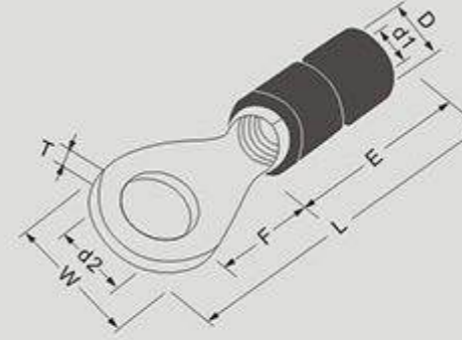
- **Material**
- Insulation: Nylon
- Terminal Body: Copper
- Plating: Tin
- **Character:**
- Heat Resistance 105°C
- Easy Entry




Nylon Insulated - Single Crimp







- **Material**
- Insulation: Nylon
- Terminal Body: Copper
- Plating: Tin
- **Character:**
- Heat Resistance 105°C
- Easy Entry



RING TERMINALS


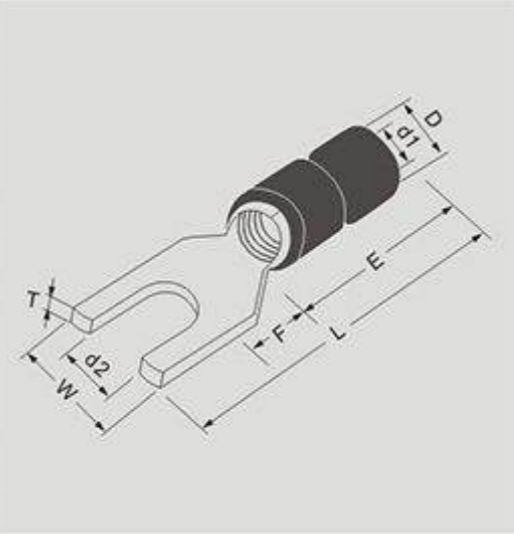
WIRE RANGE mm ² (A.W.G.)	STUD SIZE		ITEM NO .	DIMENSION mm(inch)					PCS/PACK	COLOR
	Metric (mm)	American (inch)		d2	W	L	E	d1		
8 (8)	3.5	#6	RNYB8-3.7	3.7(.146)	8.0(.315)	29.0(1.142)	16.0(.630)	4.5(.177)	500	Red
	4	#8	RNYB8-4S	4.3(.169)						
	4	#8	RNYB8-4L	4.3(.169)	12.0(.472)					
	5	#10	RNYB8-5S	5.3(.209)	8.8(.364)	31.3(1.232)				
	5	#10	RNYB8-5M	5.3(.209)	12.0(.472)					
	5	#10	RNYB8-5L	5.3(.209)	15.0(.591)	37.3(1.469)				
	6	1/4 "	RNYB8-6S	6.4(.252)	12.0(.472)	31.3(1.232)				
	6	1/4 "	RNYB8-6L	6.4(.252)						
	8	5/16 "	RNYB8-8	8.4(.331)	15.0(.591)	37.3(1.469)				
	10	3/8 "	RNYB8-10	10.5(.413)						
12	1/2 "	RNYB8-12	13.0(.512)	20.0(.787)	41.0(1.614)					
14 (6)	4	#8	RNYB14-4	4.3(.169)	12.0(.472)	40.8(1.606)	21.5(.846)	5.8(.228)	250	Blue
	5	#10	RNYB14-5	5.3(.209)						
	6	1/4 "	RNYB14-6	6.4(.252)						
	6	1/4 "	RNYB14-6	6.4(.252)						
	8	5/16 "	RNYB14-8	8.4(.331)	16.0(.630)	43.5(1.713)				
	5	#10	RNYB14-10	10.5(.413)						

RING TERMINALS


WIRE RANGE mm ² (A.W.G.)	STUD SIZE		ITEM NO .	DIMENSION mm(inch)					PCS/PACK	COLOR
	Metric (mm)	American (inch)		d2	W	L	E	d1		
14 (6)	11	7/16 "	RNYB14-11	11.5(.453)	22.0(.866)	52.0(2.047)	21.5(.846)	5.8(.228)	250	Blue
	12	1/2 "	RNYB14-12	13.0(.512)						
22 (4)	4	#8	RNYB22-4	4.3(.169)	12.2(.480)	45.2(1.780)	24.0(.945)	7.7(.303)	200	Yellow
	5	#10	RNYB22-5S	5.3(.209)						
	5	#10	RNYB22-5L	5.3(.209)	16.5(.650)	45.5(1.791)				
	6	1/4 "	RNYB22-6S	6.4(.252)	12.2(.480)	45.0(1.772)				
	6	1/4 "	RNYB22-6L	6.4(.252)						
	8	5/16 "	RNYB22-8	8.4(.331)	16.5(.650)	45.5(1.791)				
	10	3/8 "	RNYB22-10	10.5(.413)						
	11	7/16 "	RNYB22-11	11.5(.453)	22.0(.866)	54.5(2.146)				
	12	1/2 "	RNYB22-12	13.0(.512)						
	38 (2)	5	#10	RNYB38-5	5.3(.209)	15.3(.602)				
6		1/4 "	RNYB38-6S	6.4(.252)						
6		1/4 "	RNYB38-6L	6.4(.252)	22.0(.866)	55.7(2.193)				
8		5/16 "	RNYB38-8S	8.4(.331)	15.3(.602)	52.0(2.047)				
8		5/16 "	RNYB38-8L	8.4(.331)	22.0(.866)	55.7(2.193)				
10		3/8 "	RNYB38-10S	10.5(.413)	15.3(.602)	52.0(2.047)				
10		3/8 "	RNYB38-10L	10.5(.413)						
11		7/16 "	RNYB38-11	11.5(.453)	22.0(.866)	55.7(2.193)				
12		1/2 "	RNYB38-12	13.0(.512)						

Nylon Insulated - Single Crimp




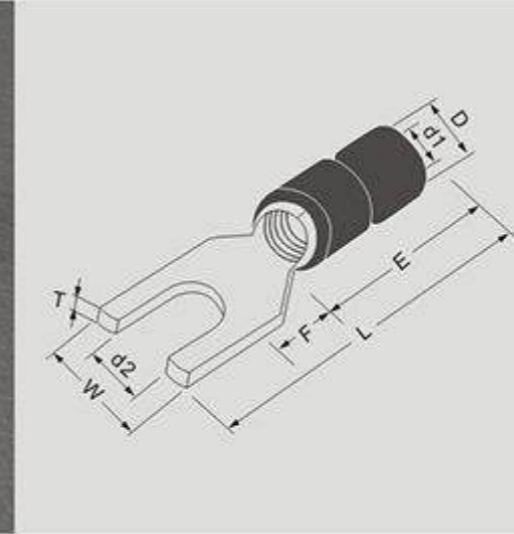



- **Material**
- Insulation: Nylon
- Terminal Body: Copper
- Plating: Tin
- **Character:**
- Heat Resistance 105°C
- Easy Entry




Nylon Insulated - Single Crimp



- **Material**
- Insulation: Nylon
- Terminal Body: Copper
- Plating: Tin
- **Character:**
- Heat Resistance 105°C
- Easy Entry


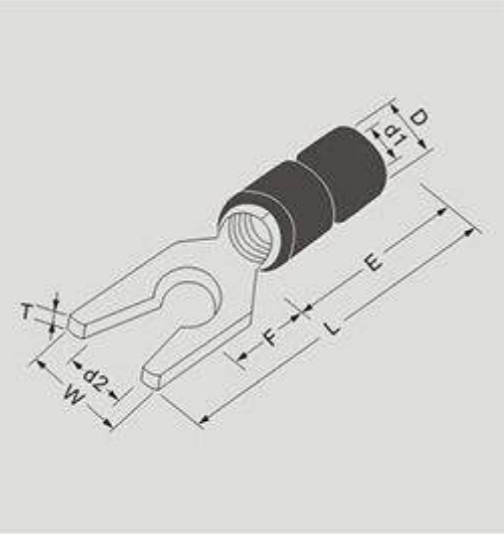


SPADE TERMINALS


WIRE RANGE mm ² (A.W.G.)	STUD SIZE		ITEM NO .	DIMENSION mm(inch)					PCS/PACK	COLOR	
	Metric (mm)	American (inch)		d2	W	L	E	d1			
0.5-1.5 (22-16)	3	#4	SNY1-3.2	3.2(.126)	5.7(.224)	22.0(.866)	11.0(.433)	4.0(.157)	1000	Red	
	3.5	#6	SNY1-3.7S	3.7(.146)							
	3.5	#6	SNY1-3.7L	3.7(.146)							
	3.5	#6	SNY1-3.7LL	3.7(.146)							
	4	#8	SNY1-4S	4.3(.169)	6.4(.252)						
	4	#8	SNY1-4M	4.3(.169)	7.2(.283)						
	4	#8	SNY1-4L	4.3(.169)	8.1(.319)						22.0(.866)
	5	#10	SNY1-5S	5.3(.209)	9.5(.374)						22.0(.866)
	5	#10	SNY1-5L	5.3(.209)							
	6	1/4 "	SNY1-6S	6.4(.252)							
6	1/4 "	SNY1-6L	6.4(.252)	12.0(.472)	28.0(1.102)						
1.5-2.5 (16-14)	3	#4	SNY2-3.2	3.2(.126)	5.7(.224)	22.0(.866)	11.0(.433)	4.5(.177)	1000	Blue	
	3.5	#6	SNY2-3.7S	3.7(.146)							
	3.5	#6	SNY2-3.7L	3.7(.146)							6.0(.236)
	3.5	#6	SNY2-3.7LL	3.7(.146)							7.2(.283)
	4	#8	SNY2-4S	4.3(.169)	6.4(.252)						
	4	#8	SNY2-4M	4.3(.169)	7.2(.283)						
	4	#8	SNY2-4L	4.3(.169)	7.9(.311)						22.0(.866)
	5	#10	SNY2-5S	5.3(.209)	9.3(.366)						22.0(.866)
	5	#10	SNY2-5L	5.3(.209)							
	6	1/4 "	SNY2-6S	6.4(.252)							
6	1/4 "	SNY2-6L	6.4(.252)	12.0(.472)	28.0(1.102)						

SPADE TERMINALS

WIRE RANGE mm ² (A.W.G.)	STUD SIZE		ITEM NO .	DIMENSION mm(inch)					PCS/PACK	COLOR
	Metric (mm)	American (inch)		d2	W	L	E	d1		
4-6 (12-10)	3.5	#6	SNY5-3.7S	3.7(.146)	7.2(.283)	24.4(.961)	13.0(.512)	3.4(.134)	500	Yellow
	3.5	#6	SNY5-3.7	3.7(.146)	8.3(.327)	25.5(1.004)				
	4	#8	SNY5-4SS	4.3(.169)	7.2(.283)	24.4(.961)				
	4	#8	SNY5-4S	4.3(.169)	8.3(.327)	25.5(1.004)				
	4	#8	SNY5-4L	4.3(.169)	9.0(.283)					
	5	#10	SNY5-5	5.3(.209)						
	6	1/4 "	SNY5-6S	6.4(.252)	12.0(.472)	31.5(1.240)				
	6	1/4 "	SNY5-6L	6.4(.252)	12.0(.472)	31.5(1.240)				
	8	5/16 "	SNY5-8	8.4(.315)	14.0(.551)	30.5(1.201)				


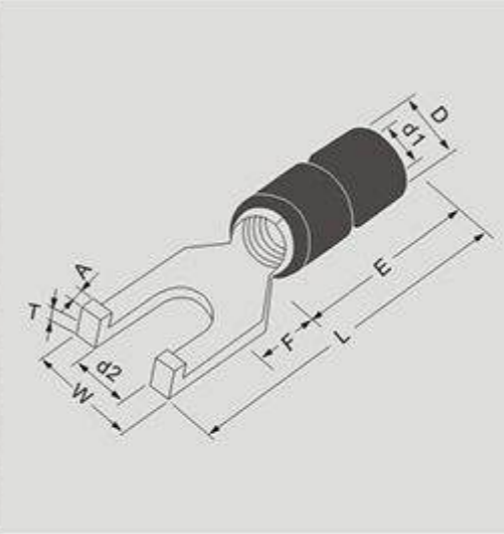



- **Material**
- Insulation: Nylon
- Terminal Body: Copper
- Plating: Tin
- **Character:**
- Heat Resistance 105°C
- Easy Entry




LOCKING SPADE TERMINALS

WIRE RANGE mm ² (A.W.G.)	STUD SIZE		ITEM NO .	DIMENSION mm(inch)					PCS/PACK	COLOR
	Metric (mm)	American (inch)		d2	W	L	E	d1		
0.5-1.5 (22-16)	3.5	#6	LSNY1-3.7	3.7(.146)	6.4(.252)	22.0(.866)	11.0(.433)	1.7(.067)	1000	Red
	4	#8	LSNY1-4S	4.3(.169)	7.2(.283)					
	4	#8	LSNY1-4L	4.3(.169)	8.1(.319)					
	5	#10	LSNY1-5S	5.3(.209)	8.1(.319)					
	5	#10	LSNY1-5L	5.3(.209)	9.5(.374)					
1.5-2.5 (16-14)	3.5	#6	LSNY2-3.7S	3.7(.146)	6.0(.236)	22.0(.866)	11.0(.433)	2.3(.091)	1000	Blue
	4	#8	LSNY2-4	4.3(.169)	7.2(.283)					
	4	#8	LSNY2-4L	4.3(.169)	8.1(.319)					
	5	#10	LSNY2-5S	5.3(.209)	8.1(.319)					
	5	#10	LSNY2-5L	5.3(.209)	9.3(.366)					
4-6 (12-10)	3.5	#6	LSNY5-3.7	3.7(.146)	8.3(.327)	25.2(.992)	13.0(.512)	3.4(.134)	500	Yellow
	4	#8	LSNY5-4	4.3(.169)	8.3(.327)					
	5	#10	LSNY5-5	5.3(.209)	9.0(.354)					
	6	1/4 "	LSNY5-6	6.4(.252)	12.0(.472)					


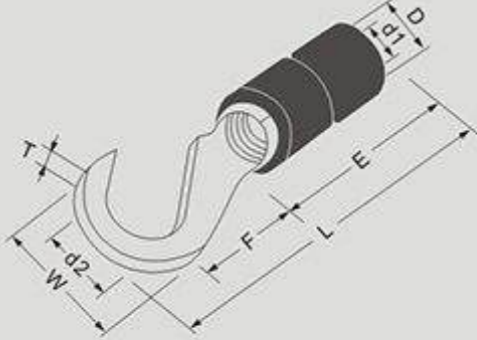



- **Material**
- Insulation: Nylon
- Terminal Body: Copper
- Plating: Tin
- **Character:**
- Heat Resistance 105°C
- Easy Entry




FLANGE SPADE TERMINALS

WIRE RANGE mm ² (A.W.G.)	STUD SIZE		ITEM NO .	DIMENSION mm(inch)					PCS/PACK	COLOR
	Metric (mm)	American (inch)		d2	W	L	E	d1		
0.5-1.5 (22-16)	3	#4	FSNY1-3.2	3.2(.126)	7.5(.295)	20.0(.787)	11.0(.433)	1.7(.067)	1000	Red
	3	#4	FSNY1-3.2S	3.2(.126)	6.4(.252)					
	3.5	#6	FSNY1-3.7	3.7(.146)	7.5(.295)					
	3.5	#6	FSNY1-3.7S	3.7(.146)	6.4(.252)					
	3.5	#6	FSNY1-3.7L	3.7(.146)	8.5(.335)	25.5(1.004)				
	4	#8	FSNY1-4	4.3(.169)	7.5(.295)	20.0(.787)				
	4	#8	FSNY1-4L	4.3(.169)	8.5(.335)	25.5(1.004)				
	5	#10	FSNY1-5	5.3(.209)	7.5(.295)	20.0(.787)				
1.5-2.5 (16-14)	5	#10	FSNY1-5L	5.3(.209)	8.5(.335)	25.5(1.004)	11.0(.433)	2.3(.091)	1000	Blue
	3.5	#6	FSNY2-3.7	3.7(.146)	7.5(.295)	20.5(.807)				
	3.5	#6	FSNY2-3.7L	3.7(.146)	8.5(.335)	24.0(.945)				
	4	#8	FSNY2-4	4.3(.169)	7.5(.295)	20.5(.807)				
	4	#8	FSNY2-4M	4.3(.169)	8.0(.315)	24.5(.963)				
	4	#8	FSNY2-4L	4.3(.169)	8.5(.335)	24.0(.945)				
	5	#10	FSNY2-5	5.3(.209)	7.5(.295)	20.5(.807)				
	5	#10	FSNY2-5L	5.3(.209)	8.5(.335)	24.0(.945)				
4-6 (12-10)	3.5	#6	FSNY5-3.7	3.7(.146)	8.5(.335)	27.0(1.063)	13.0(.512)	3.4(.134)	500	Yellow
	3.5	#6	FSNY5-3.7S	3.7(.146)	7.6(.299)	25.5(1.004)				
	4	#8	FSNY5-4	4.3(.169)	8.5(.335)	27.0(1.063)				
	4	#8	FSNY5-4S	4.3(.169)	7.6(.299)	25.5(1.004)				
	5	#10	FSNY5-5	5.3(.209)	8.5(.335)	27.0(1.063)				
	5	#10	FSNY5-5S	5.3(.209)	7.6(.299)	25.5(1.004)				

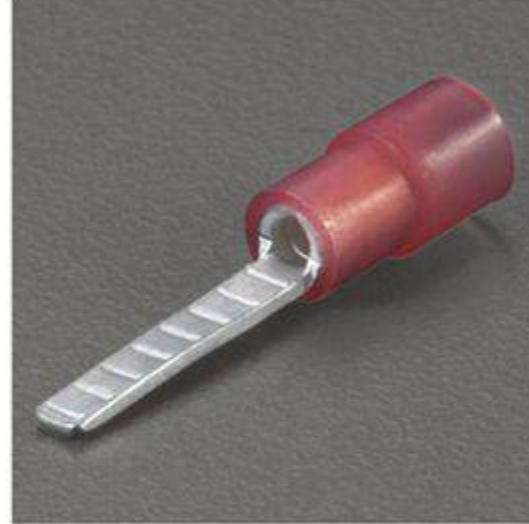
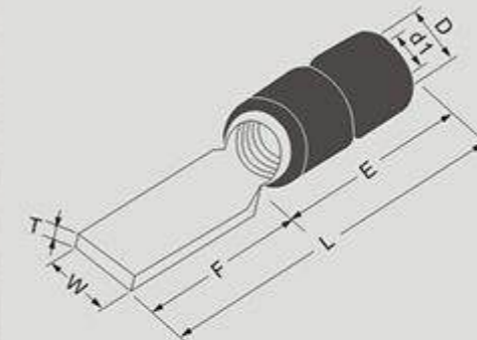



- **Material**
- Insulation: Nylon
- Terminal Body: Copper
- Plating: Tin
- **Character:**
- Heat Resistance 105°C
- Easy Entry




HOOK TERMINALS

WIRE RANGE mm ² (A.W.G.)	STUD SIZE		ITEM NO .	DIMENSION mm(inch)					PCS/PACK	COLOR
	Metric (mm)	American (inch)		d2	W	L	E	d1		
0.5-1.5 (22-16)	3.5	#6	HNY1-3.7	3.7(.146)	8.0(.315)	21.8(.858)	11.0(.433)	1.7(.067)	1000	Red
	4	#8	HNY1-4	4.3(.169)						
	5	#10	HNY1-5	5.3(.209)						
	6	1/4 "	HNY1-6	6.4(.252)	11.6(.457)	27.8(1.094)				
1.5-2.5 (16-14)	3.5	#6	HNY2-3.7	3.7(.146)	8.5(.335)	22.8(.898)	11.0(.433)	2.3(.091)	1000	Blue
	4	#8	HNY2-4	4.3(.169)						
	5	#10	HNY2-5	5.3(.209)	9.5(.374)					
	6	1/4 "	HNY2-6	6.4(.252)	12.0(.472)	27.8(1.094)				
4-6 (12-10)	3.5	#6	HNY5-3.7	3.7(.146)	7.2(.283)	22.7(.894)	13.0(.512)	3.4(.134)	500	Yellow
	4	#8	HNY5-4	4.3(.169)						
	5	#10	HNY5-5	5.3(.209)	9.5(.374)	26.8(1.055)				
	6	1/4 "	HNY5-6	6.4(.252)	12.0(.472)	29.5(1.164)				
	8	5/16 "	HNY5-8	8.4(.331)	15.0(.591)	34.0(1.139)				

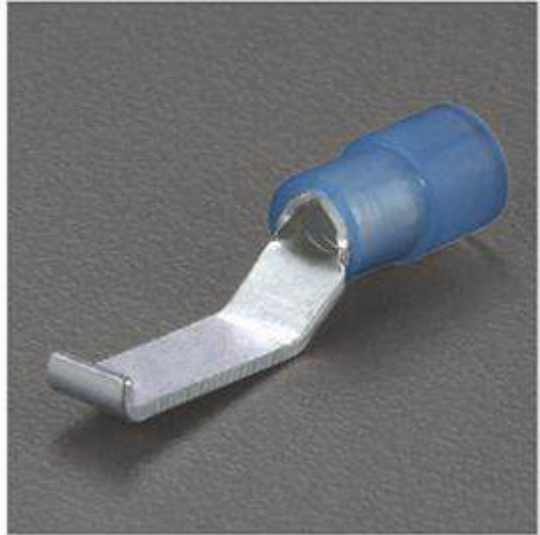
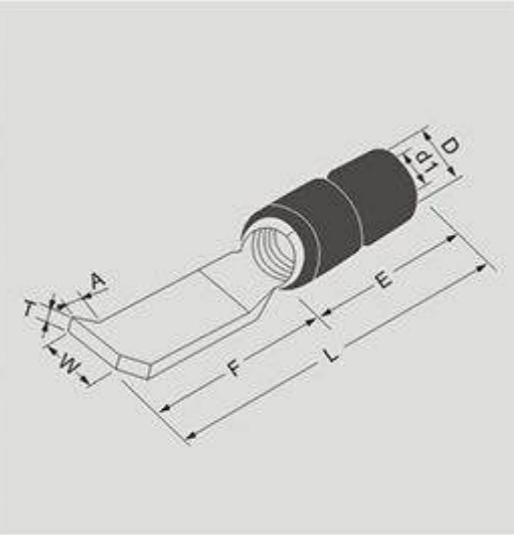



- **Material**
- Insulation: Nylon
- Terminal Body: Copper
- Plating: Tin
- **Character:**
- Heat Resistance 105°C
- Easy Entry




BLADE TERMINALS

WIRE RANGE mm ² (A.W.G.)	ITEM NO .	DIMENSION mm(inch)				PCS/PACK	COLOR			
		W	F	L	d1					
0.2-0.5 (26-22)	DBNY0.5-8	1.5(.059)	8.0(.315)	16.0(.630)	1.0(.039)	1000	Yellow			
	DBNY1-9	2.8(.110)	9.0(.354)	19.8(.780)	1.7(.067)	1000	Red			
DBNY1-10	2.3(.091)	10.0(.394)	20.8(.819)							
DBNY1-11	3.0(.118)	11.0(.433)	21.8(.858)							
DBNY1-13	3.0(.118)	13.0(.512)	23.8(.937)							
0.5-1.5 (22-16)	DBNY1-14	3.0(.118)	14.0(.551)	24.8(.976)	1.7(.067)	1000	Red			
	DBNY1-18	2.2(.087)	18.0(.709)	28.8(1.134)						
	DBNY1-18S	2.0(.079)	18.0(.709)	28.8(1.134)	2.3(.091)	1000	Blue			
	DBNY2-9	2.8(.110)						9.0(.354)	19.8(.780)	
	DBNY2-10	2.4(.094)	10.0(.394)	20.8(.819)						
	DBNY2-13	2.4(.094)	13.0(.512)	23.8(.937)						
	DBNY2-13L	3.0(.118)								
	DBNY2-14	2.4(.094)	14.0(.551)	24.8(.976)						
	DBNY2-14L	3.0(.118)								
	DBNY2-18S	2.0(.079)	18.0(.709)	28.8(1.134)						
DBNY2-18	2.2(.087)									
DBNY2-18L	2.8(.110)									
1.5-2.5 (16-14)	DBNY2-18S	2.0(.079)	18.0(.709)	28.8(1.134)	2.3(.091)	1000	Blue			
	DBNY2-18	2.2(.087)								
	DBNY2-18L	2.8(.110)								
	DBNY5-10	2.8(.110)	10.0(.394)	23.0(.906)				3.4(.134)	500	Yellow
	DBNY5-14S	4.0(.157)	14.0(.551)	27.0(1.063)						
	DBNY5-14	4.5(.177)	14.0(.551)	31.0(1.120)				3.6(.142)		
DBNY5-18S	2.0(.079)	18.0(.709)	3.4(.134)							
DBNY5-18	4.5(.177)	18.0(.709)								


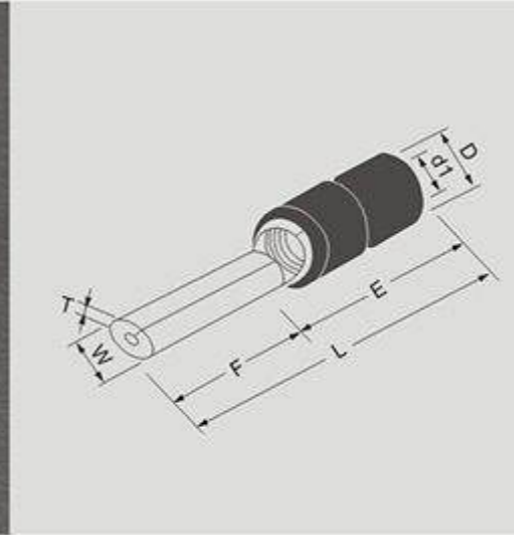



- **Material**
- Insulation: Nylon
- Terminal Body: Copper
- Plating: Tin
- **Character:**
- Heat Resistance 105°C
- Easy Entry




LIPPED BLADE TERMINALS

WIRE RANGE mm ² (A.W.G.)	ITEM NO .	DIMENSION mm(inch)				PCS/PACK	COLOR
		W	L	E	d1		
0.5-1.5 (22-16)	LBNY1-3	3.0(.118)	28.2(1.110)	11.0(.433)	1.7(.067)	1000	
	LBNY1-4.6	4.6(.181)					
1.5-2.5 (16-14)	LBNY2-3	3.0(.118)	28.2(1.110)	11.0(.433)	2.3(.091)	1000	
	LBNY2-4.6	4.6(.181)					
4-6 (12-10)	LBNY5-3	3.0(.118)	30.2(1.189)	13.0(.512)	3.4(.134)	500	
	LBNY5-4.6	4.6(.181)					

- **Material**
- Insulation: Nylon
- Terminal Body: Copper
- Plating: Tin
- **Character:**
- Heat Resistance 105°C
- Easy Entry


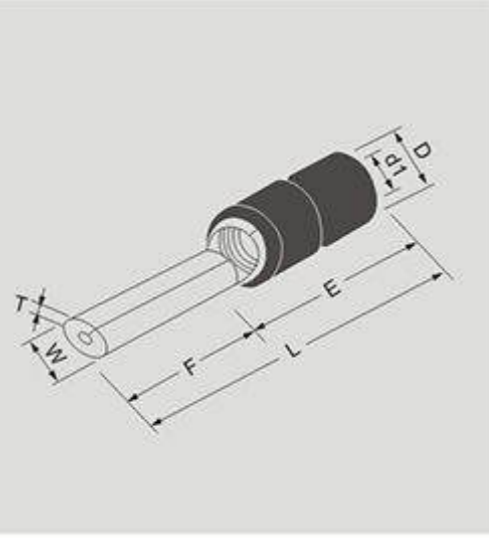


PIN TERMINALS


WIRE RANGE mm ² (A.W.G.)	ITEM NO .	DIMENSION mm(inch)				PCS/PACK	COLOR
		W	F	L	d1		
0.2-0.5 (26-22)	PTNY0.5-9	1.4(.055)	10.0(.394)	18.0(.709)	1.0(.039)	1000	
0.5-1.5 (22-16)	PTNY1-9	1.9(.075)	9.0(.354)	19.8(.780)	1.7(.067)	1000	
	PTNY1-10		10.0(.394)	20.8(.819)			
	PTNY1-12		12.0(.472)	22.8(.898)			
	PTNY1-13		13.0(.512)	23.8(.937)			
	PTNY1-14		14.0(.551)	24.8(.976)			
	PTNY1-16		16.0(.630)	27.0(1.063)			
1.5-2.5 (16-14)	PTNY2-9	1.9(.075)	9.0(.354)	19.8(.780)	2.3(.091)	1000	
	PTNY2-10		10.0(.394)	20.8(.819)			
	PTNY2-12		12.0(.472)	22.8(.898)			
	PTNY2-13		13.0(.512)	23.8(.937)			
	PTNY2-16		16.0(.630)	27.0(1.063)			
4-6 (12-10)	PTNY5-13	2.8(.110)	14.0(.551)	27.0(1.063)	3.4(.134)	500	

Nylon Insulated - Single Crimp



- **Material**
- Insulation: Nylon
- Terminal Body: Copper
- Plating: Tin
- **Character:**
- Heat Resistance 105°C
- Easy Entry


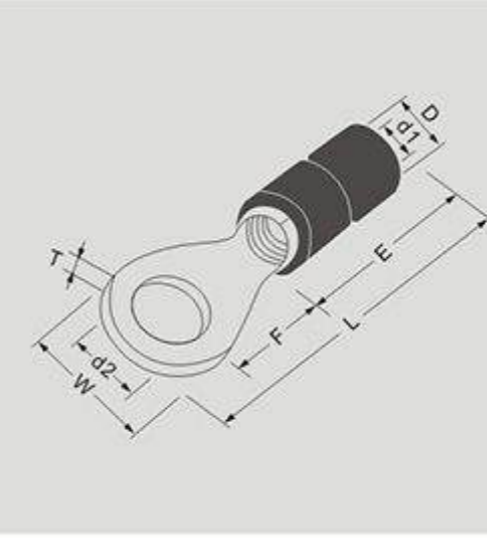


PIN TERMINALS


WIRE RANGE mm ² (A.W.G.)	ITEM NO .	DIMENSION mm(inch)				PCS/PACK	COLOR
		W	F	L	d1		
10 (8)	PTNYB10-12	4.3	12.0	34.0	4.5	500	
16 (6)	PTNYB16-13	5.5	13.0	40.4	5.8	250	
25 (4)	PTNYB25-15	6.8	15.0	44.0	7.0	200	
35 (2)	PTNYB35-20	8.0	20.0	52.5	8.4	100	
	PTNYB35-20 (BLACK)						
50 (1/0)	PTNYB50-20	9.5	20.0	59.0	9.6	50	
70 (3/0)	PTNYB70-25	11.0	23.5	69.0	11.4	25	
95 (4/0)	PTNYB95-25	12.5	23.5	71.0	13.5	25	

Vinyl Insulated - Single Crimp



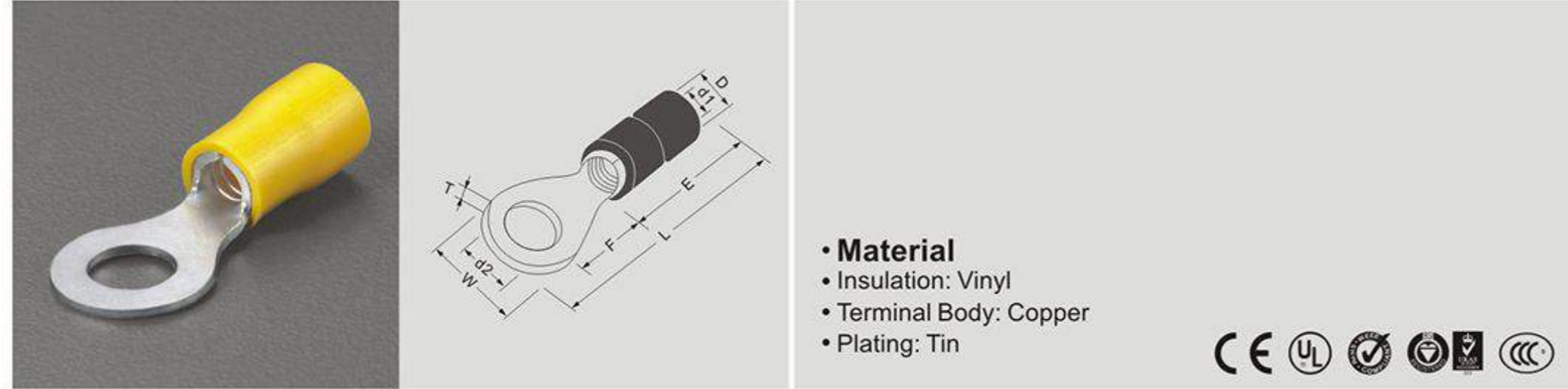



- **Material**
- Insulation: Vinyl
- Terminal Body: Copper
- Plating: Tin



RING TERMINALS

WIRE RANGE mm ² (A.W.G.)	STUD SIZE		ITEM NO .	DIMENSION mm(inch)				PCS/PACK	COLOR				
	Metric (mm)	American (inch)		d2	W	L	E			d1			
0.5-1.5 (22-16)	3	#4	RV1-3.2	3.2(.216)	5.5(.216)	17.5(.689)	10.0(.394)	1.7(.067)	1000				
	3.5	#6	RV1-3.7S	3.7(.146)									
	3.5	#6	RV1-3.7M	3.7(.146)	6.6(.260)	19.4(.764)							
	3.5	#6	RV1-3.7L	3.7(.146)	8.0(.315)	20.8(.819)							
	4	#8	RV1-4S	4.3(.169)	6.6(.260)	19.4(.764)							
	4	#8	RV1-4L	4.3(.169)	8.0(.315)	20.8(.819)							
	5	#10	RV1-5	5.3(.209)									
	5	#10	RV1-5L	5.3(.209)									
	6	1/4 "	RV1-6	6.4(.252)	11.6(.457)	26.8(1.055)							
	8	5/16 "	RV1-8	8.4(.331)	13.6(.535)	30.5(1.201)							
	10	3/8 "	RV1-10	10.5(.413)									
	12	1/2 "	RV1-12	13.0(.512)						19.2(.756)	35.4(1.394)		
	1.5-2.5 (16-14)	14	9/16 "	RV1-14	15.0(.591)	27.0(1.063)				44.3(1.744)	10.0(.394)	2.3(.091)	1000
		16	5/8 "	RV1-16	17.0(.669)								
20		3/4 "	RV1-20	21.0(.827)									
3		#4	RV2-3.2	3.2(.126)	6.6(.260)	17.8(.701)							
3.5		#6	RV2-3.7S	3.7(.146)									
3.5		#6	RV2-3.7M	3.7(.146)	8.5(.335)	19.4(.764)							
3.5		#6	RV2-3.7L	3.7(.146)									
4		#8	RV2-4S	4.3(.169)	6.6(.260)	21.8(.858)							
4		#8	RV2-4L	4.3(.169)	8.5(.335)	19.4(.764)							
5		#10	RV2-5S	5.3(.209)									
5	#10	RV2-5L	5.3(.209)	9.5(.374)	21.8(.858)								
6	1/4 "	RV2-6	6.4(.252)	12.0(.472)	26.8(1.055)								

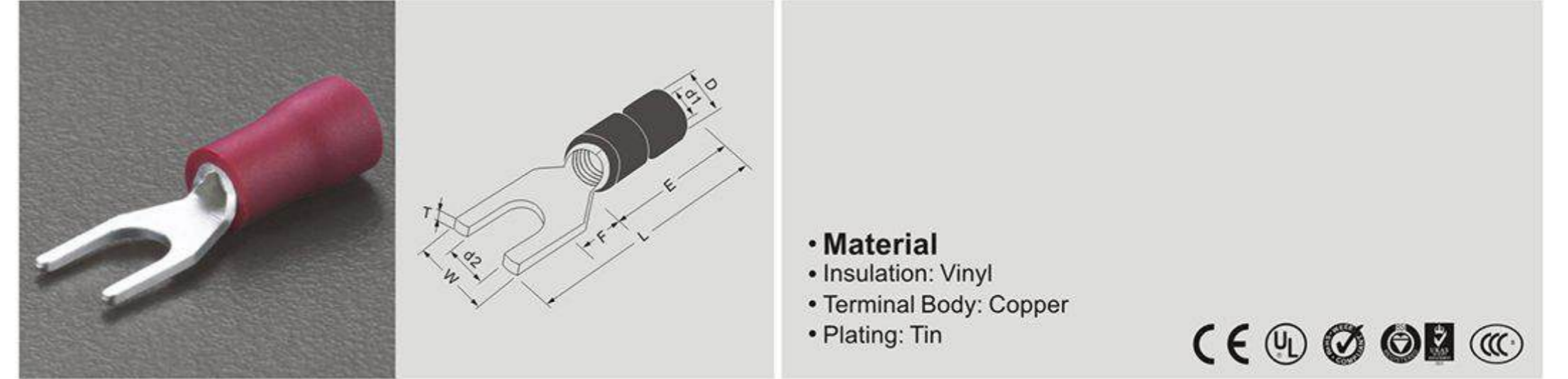


- **Material**
- Insulation: Vinyl
- Terminal Body: Copper
- Plating: Tin



RING TERMINALS

WIRE RANGE mm ² (A.W.G.)	STUD SIZE		ITEM NO .	DIMENSION mm(inch)					PCS/PACK	COLOR
	Metric (mm)	American (inch)		d2	W	L	E	d1		
1.5-2.5 (16-14)	8	5/16 "	RV2-8	8.4(.331)	12.0(.472)	26.8(1.055)	10.0(.394)	2.3(.091)	1000	Blue
	10	3/8 "	RV2-10	10.5(.413)	13.6(.535)	30.5(1.201)				
	12	1/2 "	RV2-12	13.0(.512)	19.2(.756)	35.4(1.394)				
	14	9/16 "	RV2-14	15.0(.591)						
	16	5/8 "	RV2-16	17.0(.669)	27.0(1.063)	44.3(1.744)				
	20	3/4 "	RV2-20	21.0(.827)						
4-6 (12-10)	3.5	#6	RV5-3.7	3.7(.146)	7.2(.283)	22.7(.894)	13.0(.512)	3.4(.134)	500	Yellow
	4	#8	RV5-4S	4.3(.169)						
	4	#8	RV5-4L	4.3(.169)	9.5(.374)	26.0(1.023)				
	5	#10	RV5-5	5.3(.209)						
	6	1/4 "	RV5-6	6.4(.252)	12.0(.472)	29.5(1.167)				
	6	1/4 "	RV5-6M	6.4(.252)						
	8	5/16 "	RV5-8	8.4(.331)	15.0(.591)	34.0(1.339)				
	10	3/8 "	RV5-10	10.5(.413)						
	12	1/2 "	RV5-12	13.0(.512)	19.2(.756)	38.6(1.520)				
	14	9/16 "	RV5-14	15.0(.591)						
16	5/8 "	RV5-16	17.0(.669)	32.0(1.260)	54.2(2.134)					
20	3/4 "	RV5-20	21.0(.827)							



- **Material**
- Insulation: Vinyl
- Terminal Body: Copper
- Plating: Tin


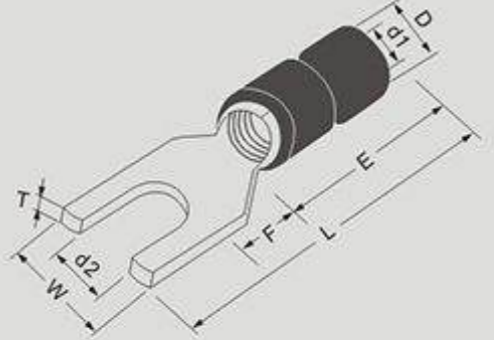


SPADE TERMINALS


WIRE RANGE mm ² (A.W.G.)	STUD SIZE		ITEM NO .	DIMENSION mm(inch)					PCS/PACK	COLOR	
	Metric (mm)	American (inch)		d2	W	L	E	d1			
0.5-1.5 (22-16)	3	#4	SV1-3.2	3.2(.126)	5.7(.323)	21.0(.827)	10.0(.394)	1.7(0.67)	1000	Red	
	3.5	#6	SV1-3.7S	3.7(.146)							
	3.5	#6	SV1-3.7L	3.7(.146)	6.4(.252)						
	3.5	#6	SV1-3.7LL	3.7(.146)							7.2(.283)
	4	#8	SV1-4S	4.3(.169)	6.4(.252)						
	4	#8	SV1-4M	4.3(.169)							7.2(.283)
	4	#8	SV1-4L	4.3(.169)	8.1(.319)						21.0(.827)
	5	#10	SV1-5S	5.3(.209)							
	5	#10	SV1-5L	5.3(.209)	9.5(.374)						
	6	1/4 "	SV1-6S	6.4(.252)							
6	1/4 "	SV1-6L	6.4(.252)	12.0(.472)	27.0(1.063)						
1.5-2.5 (16-14)	3	#4	SV2-3.2	3.2(.126)	5.7(.224)	21.0(.827)	10.0(.394)	2.3(.091)	1000	Blue	
	3.5	#6	SV2-3.7S	3.7(.146)							
	3.5	#6	SV2-3.7L	3.7(.146)	6.0(.236)						
	3.5	#6	SV2-3.7LL	3.7(.146)							7.2(.283)
	4	#8	SV2-4S	4.3(.169)	6.4(.252)						
	4	#8	SV2-4M	4.3(.169)							7.2(.283)
	4	#8	SV2-4L	4.3(.169)	7.9(.311)						21.0(.827)
	5	#10	SV2-5S	5.3(.209)							
	5	#10	SV2-5L	5.3(.209)	9.3(.366)						
	6	1/4 "	SV2-6S	6.4(.252)							
	6	1/4 "	SV2-6L	6.4(.252)	12.0(.472)						27.5(1.063)

Vinyl Insulated - Single Crimp



- **Material**
- Insulation: Vinyl
- Terminal Body: Copper
- Plating: Tin


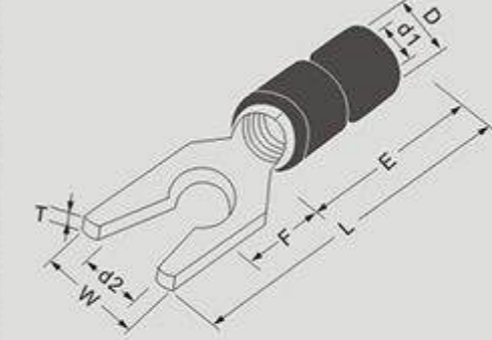


SPADE TERMINALS


WIRE RANGE mm ² (A.W.G.)	STUD SIZE		ITEM NO .	DIMENSION mm(inch)					PCS/PACK	COLOR
	Metric (mm)	American (inch)		d2	W	L	E	d1		
4-6 (12-10)	3.5	#6	SV5-3.7S	3.7(.146)	7.2(.283)	24.4(.961)	13.0(.512)	3.4(.134)	500	Yellow
	3.5	#6	SV5-3.7	3.7(.146)	8.3(.327)	25.5(1.004)				
	4	#8	SV5-4SS	4.3(.169)	7.2(.283)	24.4(.961)				
	4	#8	SV5-4S	4.3(.169)	8.3(.327)	25.5(1.004)				
	4	#8	SV5-4L	4.3(.169)	9.0(.283)					
	5	#10	SV5-5	5.3(.209)	9.0(.283)	31.5(1.240)				
	6	1/4 "	SV5-6S	6.4(.252)	12.0(.472)					
	6	1/4 "	SV5-6L	6.4(.252)	14.0(.551)					
	8	5/16 "	SV5-8	8.4(.331)	14.0(.551)	30.5(1.201)				

Vinyl Insulated - Single Crimp



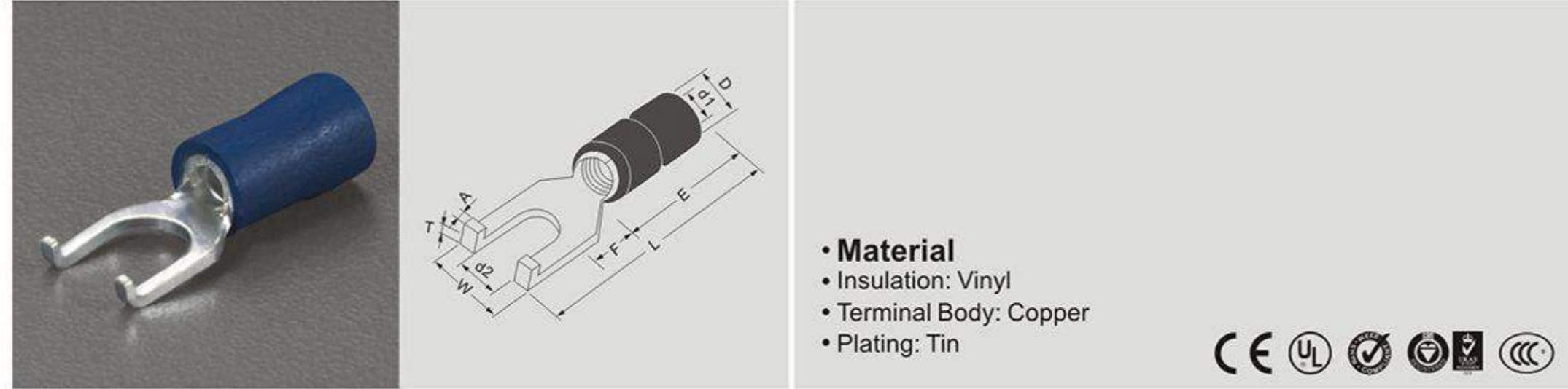



- **Material**
- Insulation: Vinyl
- Terminal Body: Copper
- Plating: Tin



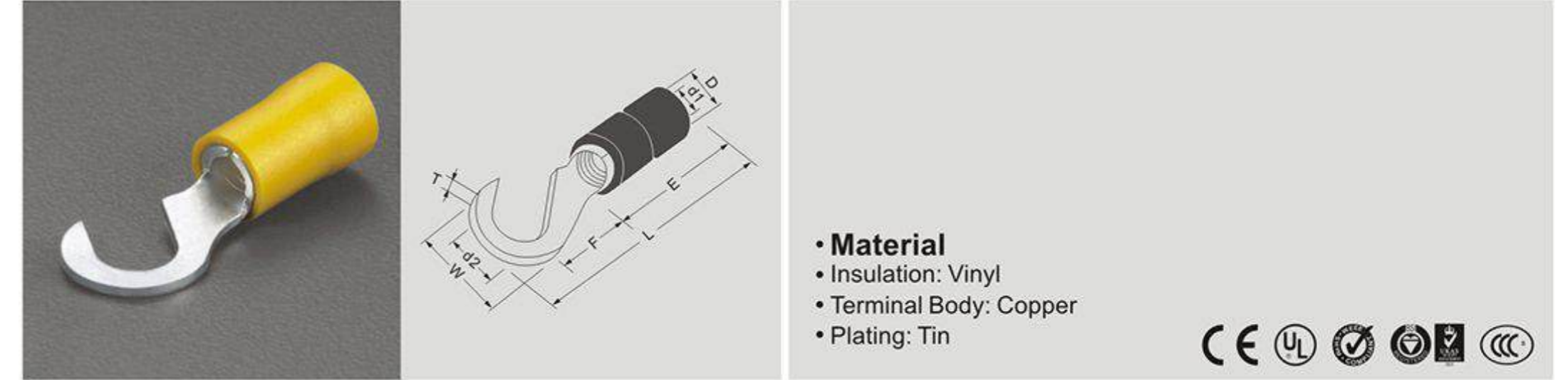
LOCKING SPADE TERMINALS

WIRE RANGE mm ² (A.W.G.)	STUD SIZE		ITEM NO .	DIMENSION mm(inch)					PCS/PACK	COLOR
	Metric (mm)	American (inch)		d2	W	L	E	d1		
0.5-1.5 (22-16)	3.5	#6	LSV1-3.7	3.7(.146)	6.4(.252)	21.0(.827)	10.0(.394)	1.7(.067)	1000	Red
	4	#8	LSV1-4S	4.3(.169)	7.2(.283)					
	4	#8	LSV1-4L	4.3(.169)	8.1(.319)					
	5	#10	LSV1-5S	5.3(.209)	8.1(.319)					
	5	#10	LSV1-5L	5.3(.209)	9.5(.374)					
1.5-2.5 (16-14)	3.5	#6	LSV2-3.7S	3.7(.146)	6.0(.236)	21.0(.827)	10.0(.394)	2.3(.091)	1000	Blue
	4	#8	LSV2-4	4.3(.169)	7.2(.283)					
	4	#8	LSV2-4L	4.3(.169)	8.1(.319)					
	5	#10	LSV2-5S	5.3(.209)	8.1(.319)					
	5	#10	LSV2-5L	5.3(.209)	9.3(.366)					
4-6 (12-10)	3.5	#6	LSV5-3.7	3.7(.146)	8.3(.327)	25.2(.992)	13.0(.512)	3.4(.134)	500	Yellow
	4	#8	LSV5-4	4.3(.169)	8.3(.327)					
	5	#10	LSV5-5	5.3(.209)	9.0(.354)					
	6	1/4 "	LSV5-6	6.4(.252)	12.0(.472)					



FLANGE SPADE TERMINALS

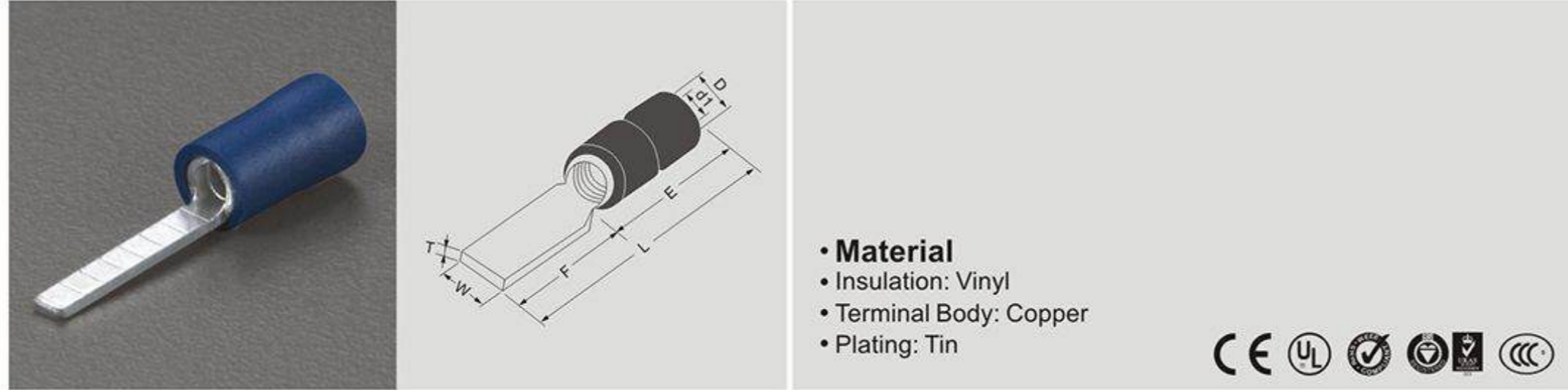
WIRE RANGE mm ² (A.W.G.)	STUD SIZE		ITEM NO .	DIMENSION mm(inch)					PCS/PACK	COLOR
	Metric (mm)	American (inch)		d2	W	L	E	d1		
0.5-1.5 (22-16)	3	#4	FSV1-3.2	3.2(.126)	7.5(.295)	19.0(.748)	10.0(.394)	1.7(.067)	1000	Red
	3	#4	FSV1-3.2S	3.2(.126)	6.4(.252)					
	3.5	#6	FSV1-3.7	3.7(.146)	7.5(.295)					
	3.5	#6	FSV1-3.7S	3.7(.146)	6.4(.252)					
	3.5	#6	FSV1-3.7L	3.7(.146)	8.5(.335)	24.5(.965)				
	4	#8	FSV1-4	4.3(.169)	7.5(.295)	19.0(.748)				
	4	#8	FSV1-4L	4.3(.169)	8.5(.335)	24.5(.965)				
	5	#10	FSV1-5	5.3(.209)	7.5(.295)	19.0(.748)				
1.5-2.5 (16-14)	3.5	#6	FSV2-3.7	3.7(.146)	7.5(.295)	19.5(.768)	10.0(.394)	2.3(.091)	1000	Blue
	3.5	#6	FSV2-3.7L	3.7(.146)	8.5(.335)	23.0(.906)				
	4	#8	FSV2-4	4.3(.169)	7.5(.295)	19.5(.768)				
	4	#8	FSV2-4M	4.3(.169)	8.0(.315)	23.5(.925)				
	4	#8	FSV2-4L	4.3(.169)	8.5(.335)	23.0(.906)				
	5	#10	FSV2-5	5.3(.209)	7.5(.295)	19.5(.768)				
4-6 (12-10)	3.5	#6	FSV5-3.7	3.7(.146)	8.5(.335)	27.0(1.063)	13.0(.512)	3.4(.134)	500	Yellow
	3.5	#6	FSV5-3.7S	3.7(.146)	7.6(.299)	25.5(1.004)				
	4	#8	FSV5-4	4.3(.169)	8.5(.335)	27.0(1.063)				
	4	#8	FSV5-4S	4.3(.169)	7.6(.299)	25.5(1.004)				
	5	#10	FSV5-5	5.3(.209)	8.5(.335)	27.0(1.063)				
	5	#10	FSV5-5S	5.3(.209)	7.6(.299)	25.5(1.004)				



HOOK TERMINALS

WIRE RANGE mm ² (A.W.G.)	STUD SIZE		ITEM NO .	DIMENSION mm(inch)					PCS/PACK	COLOR		
	Metric (mm)	American (inch)		d2	W	L	E	d1				
0.5-1.5 (22-16)	3.5	#6	HV1-3.7	3.7(.146)	8.0(.315)	20.8(.819)	10.0(.394)	1.7(.067)	1000	Red		
	4	#8	HV1-4	4.3(.169)								
	5	#10	HV1-5	5.3(.209)								
	6	1/4 "	HV1-6	6.4(.252)							11.6(.457)	26.8(1.055)
1.5-2.5 (16-14)	3.5	#6	HV2-3.7	3.7(.146)	8.5(.335)	21.8(.858)	10.0(.394)	2.3(.091)	1000	Blue		
	4	#8	HV2-4	4.3(.169)								
	5	#10	HV2-5	5.3(.209)	9.5(.374)							
	6	1/4 "	HV2-6	6.4(.252)	12.0(.472)						26.8(1.055)	
4-6 (12-10)	3.5	#6	HV5-3.7	3.7(.146)	9.5(.374)	26.8(1.055)	13.0(.512)	3.4(.134)	500	Yellow		
	4	#8	HV5-4	4.3(.169)								
	5	#10	HV5-5	5.3(.209)								
	6	1/4 "	HV5-6	6.4(.252)							12.0(.472)	29.5(1.161)
	8	5/16 "	HV5-8	8.4(.331)							15.0(.591)	34.0(1.339)

Vinyl Insulated - Single Crimp



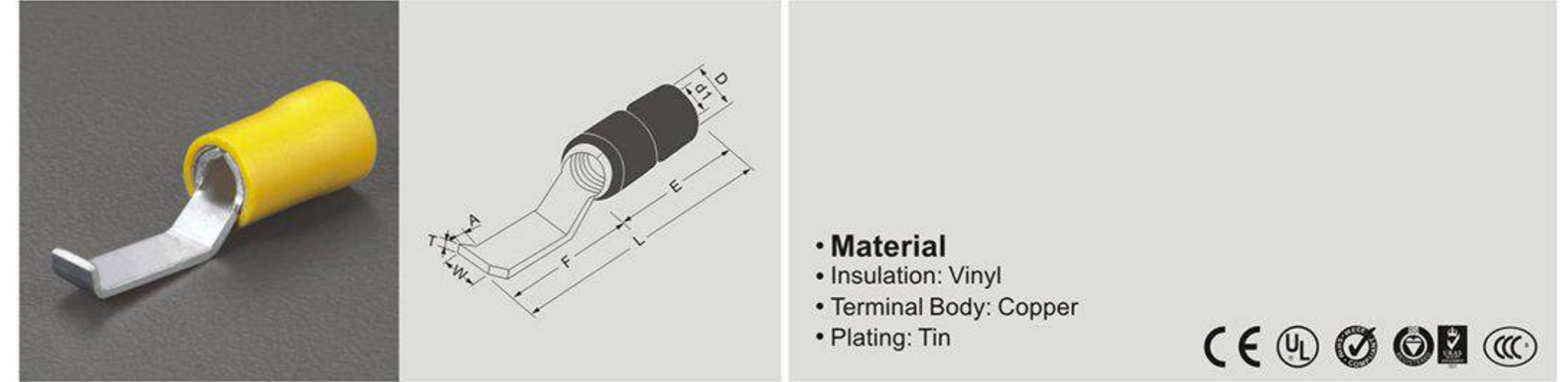
- **Material**
- Insulation: Vinyl
- Terminal Body: Copper
- Plating: Tin



BLADE TERMINALS

WIRE RANGE mm ² (A.W.G.)	ITEM NO .	DIMENSION mm(inch)				PCS/PACK	COLOR	
		W	F	L	d1			
0.2-0.5 (26-22)	DBV0.5-8	1.5(.059)	8.0(.315)	16.0(.630)	1.0(.039)	1000	Yellow	
0.5-1.5 (22-16)	DBV1-9	2.8(.110)	9.0(.354)	18.8(.740)	1.7(.067)	1000	Red	
	DBV1-10	2.3(.091)	10.0(.394)	19.8(.780)				
	DBV1-11	3.0(.118)	11.0(.433)	20.8(.819)				
	DBV1-13	3.0(.118)	13.0(.512)	22.8(.898)				
	DBV1-14	3.0(.118)	14.0(.551)	23.8(.937)				
	DBV1-18	2.2(.087)	18.0(.709)	27.8(1.094)				
	DBV1-18S	2.0(.079)						
1.5-2.5 (16-14)	DBV2-9	2.8(.110)	9.0(.354)	18.8(.740)	2.3(.091)	1000	Blue	
	DBV2-10	2.4(.094)	10.0(.394)	19.8(.780)				
	DBV2-13	2.4(.094)	13.0(.512)	22.8(.898)				
	DBV2-13L	3.0(.118)						
	DBV2-14	2.4(.094)	14.0(.551)	23.8(.937)				
	DBV2-14L	3.0(.118)						
	DBV2-18S	2.0(.079)	18.0(.709)	27.8(1.904)				
	DBV2-18	2.2(.087)						
	DBV2-18L	2.8(.110)						
4-6 (12-10)	DBV5-10	2.8(.110)	10.0(.394)	23.0(.906)	3.4(.134)	500	Yellow	
	DBV5-14S	4.0(.157)	14.0(.551)	27.0(1.063)				
	DBV5-14	4.5(.177)	14.0(.551)					
	DBV5-18S	2.0(.079)	18.0(.709)	31.0(1.120)				3.6(.142)
	DBV5-18	4.5(.177)	18.0(.709)	31.0(1.120)				3.4(.134)

Vinyl Insulated - Single Crimp

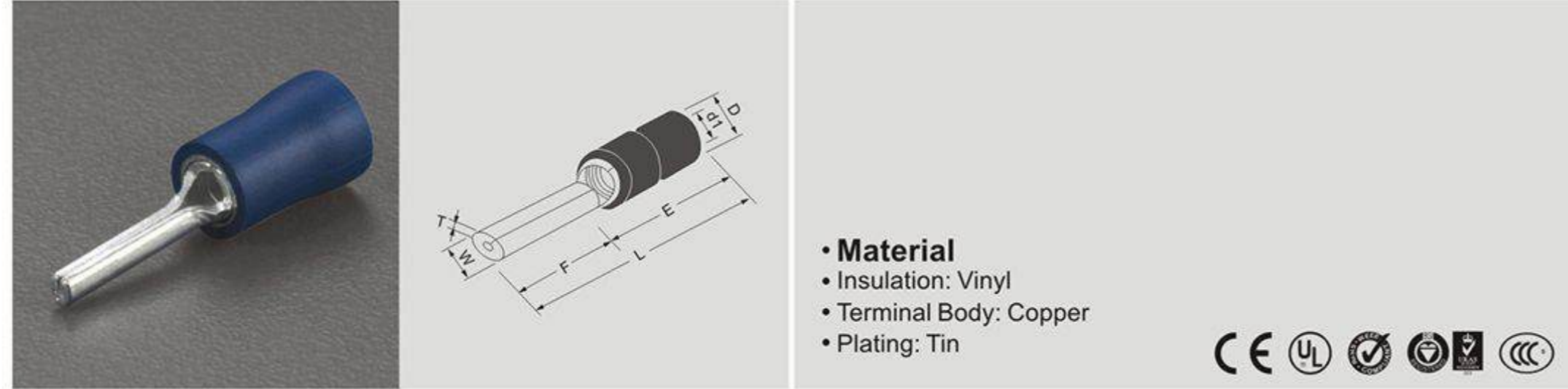


- **Material**
- Insulation: Vinyl
- Terminal Body: Copper
- Plating: Tin



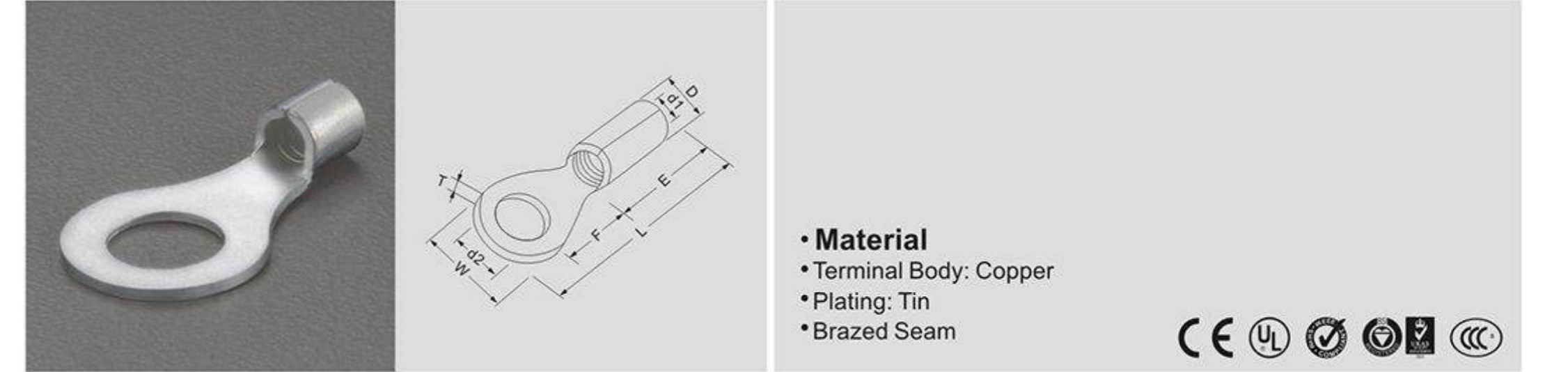
LIPPED BLADE TERMINALS

WIRE RANGE mm ² (A.W.G.)	ITEM NO .	DIMENSION mm(inch)				PCS/PACK	COLOR
		W	L	E	d1		
0.5-1.5 (22-16)	LBV1-3	3.0(.118)	27.2(1.071)	10.0(.394)	1.7(.067)	1000	Red
	LBV1-4.6	4.6(.181)					
1.5-2.5 (16-14)	LBV2-3	3.0(.118)	27.2(1.071)	10.0(.394)	2.3(.091)	1000	Blue
	LBV2-4.6	4.6(.181)					
4-6 (12-10)	LBV5-3	3.0(.118)	30.2(1.189)	13.0(.512)	3.4(.134)	500	Yellow
	LBV5-4.6	4.6(.181)					



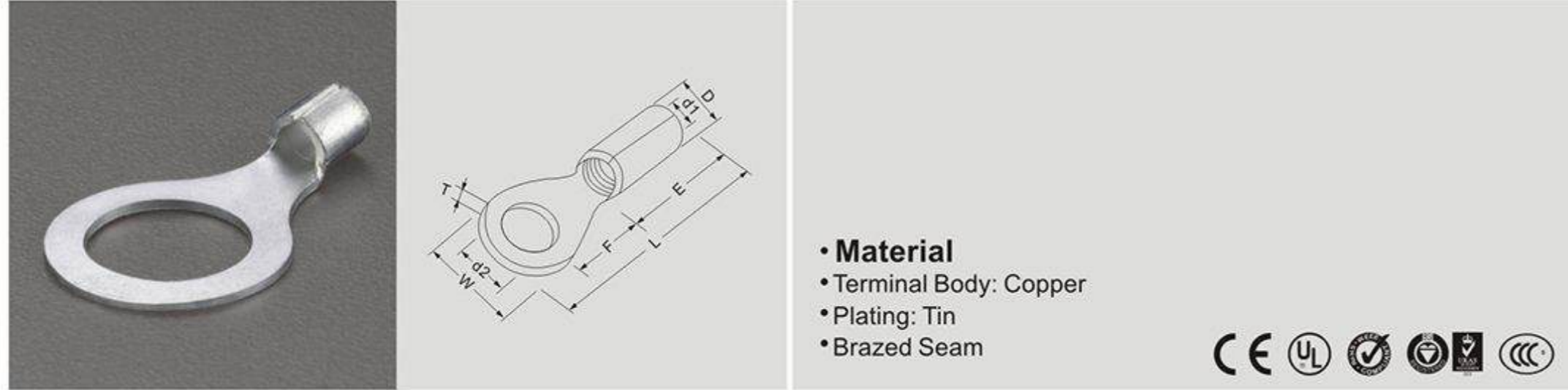
PIN TERMINALS

WIRE RANGE mm ² (A.W.G.)	ITEM NO .	DIMENSION mm(inch)				PCS/PACK	COLOR
		W	F	L	d1		
0.2-0.5 (26-22)	PTV0.5-9	1.4(.055)	10.0(.394)	18.0(.709)	1.0(.039)	1000	Yellow
0.5-1.5 (22-16)	PTV1-9	1.9(.075)	9.0(.354)	18.8(.740)	1.7(.067)	1000	Red
	PTV1-10		10.0(.394)	19.8(.780)			
	PTV1-12		12.0(.472)	21.8(.858)			
	PTV1-13		13.0(.512)	22.8(.898)			
	PTV1-14		14.0(.551)	23.8(.937)			
	PTV1-16		16.0(.630)	25.8(1.016)			
1.5-2.5 (16-14)	PTV2-9	1.9(.075)	9.0(.354)	18.8(.740)	2.3(.091)	1000	Blue
	PTV2-10		10.0(.394)	19.8(.780)			
	PTV2-12		12.0(.472)	21.8(.858)			
	PTV2-13		13.0(.512)	22.8(.898)			
	PTV2-16		16.0(.630)	26.0(1.024)			
4-6 (12-10)	PTV5-13	2.8(.110)	14.0(.551)	27.0(1.063)	3.4(.134)	500	Yellow

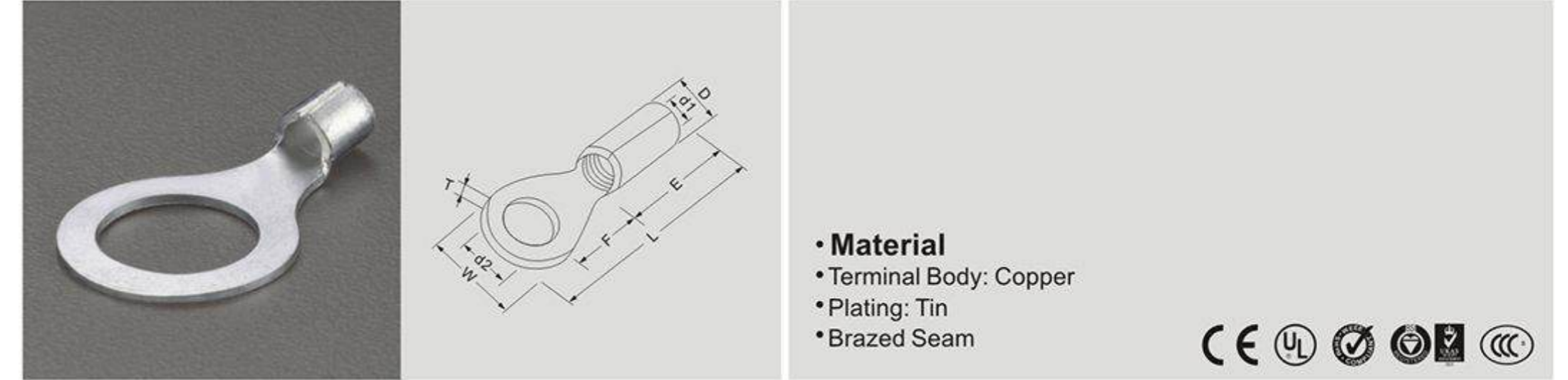


RING TERMINALS

WIRE RANGE mm ² (A.W.G.)	STUD SIZE		ITEM NO .	DIMENSION mm(inch)					PCS/PACK
	Metric (mm)	American (inch)		d2	W	L	E	d1	
0.5-1.5 (22-16)	3	#4	RNB1-3.2	3.2(.216)	5.5(.216)	12.5(.492)	4.8(.189)	1.7(.067)	1000
	3.5	#6	RNB1-3.7S	3.7(.146)					
	3.5	#6	RNB1-3.7M	3.7(.146)	6.6(.260)	14.4(.567)			
	3.5	#6	RNB1-3.7L	3.7(.146)	8.0(.315)	15.8(.622)			
	4	#8	RNB1-4S	4.3(.169)	6.6(.260)	14.4(.567)			
	4	#8	RNB1-4L	4.3(.169)	8.0(.315)	15.8(.622)			
	5	#10	RNB1-5	5.3(.209)					
	5	#10	RNB1-5L	5.3(.209)	11.6(.457)	21.8(.858)			
	6	1/4 "	RNB1-6	6.4(.252)					
	8	5/16 "	RNB1-8	8.4(.331)					
	10	3/8 "	RNB1-10	10.5(.413)					
	12	1/2 "	RNB1-12	13.0(.512)	19.2(.756)	30.4(1.197)			
	14	9/16 "	RNB1-14	15.0(.591)	27.0(1.063)	39.3(1.547)			
	16	5/8 "	RNB1-16	17.0(.669)					
20	3/4 "	RNB1-20	21.0(.827)						
1.5-2.5 (16-14)	3	#4	RNB2-3.2	3.2(.126)	6.6(.260)	12.8(.504)	4.8(.189)	2.3(.091)	1000
	3.5	#6	RNB2-3.7S	3.7(.146)		14.4(.567)			
	3.5	#6	RNB2-3.7M	3.7(.146)	8.5(.335)	16.5(.650)			
	3.5	#6	RNB2-3.7L	3.7(.146)					
	4	#8	RNB2-4S	4.3(.169)	6.6(.260)	14.4(.567)			



- **Material**
- Terminal Body: Copper
- Plating: Tin
- Brazed Seam



- **Material**
- Terminal Body: Copper
- Plating: Tin
- Brazed Seam

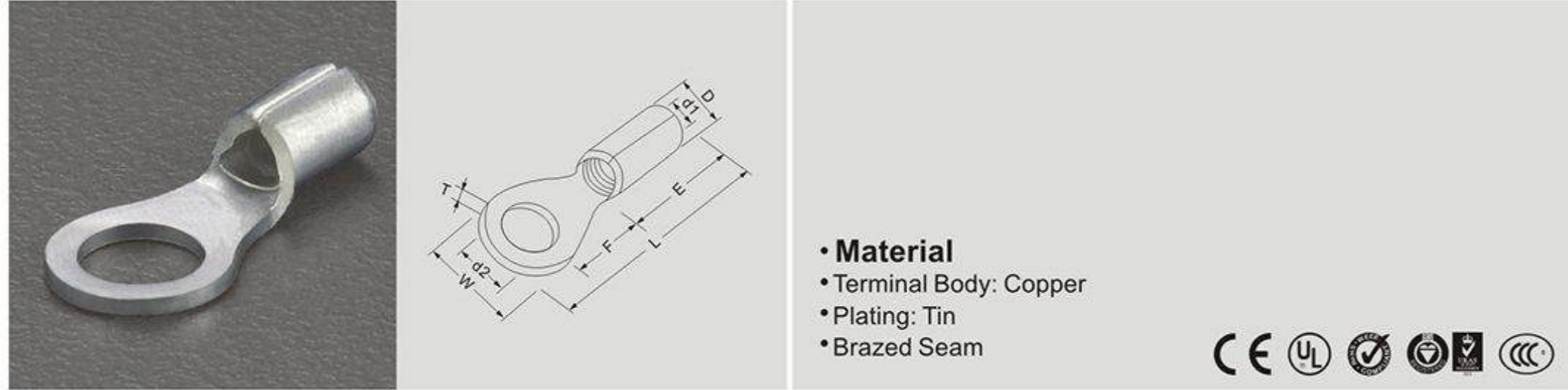


RING TERMINALS

WIRE RANGE mm ² (A.W.G.)	STUD SIZE		ITEM NO .	DIMENSION mm(inch)					PCS/PACK
	Metric (mm)	American (inch)		d2	W	L	E	d1	
1.5-2.5 (16-14)	4	#8	RNB2-4L	4.3(.169)	8.5(.335)	16.5(.650)	4.8(.189)	2.3(.091)	1000
	5	#10	RNB2-5S	5.3(.209)					
	5	#10	RNB2-5L	5.3(.209)					
	6	1/4 "	RNB2-6	6.4(.252)	12.0(.472)	21.8(.858)			
	8	5/16 "	RNB2-8	8.4(.331)	12.0(.472)	21.8(.858)			
	10	3/8 "	RNB2-10	10.5(.413)	13.6(.535)	25.5(1.004)			
	12	1/2 "	RNB2-12	13.0(.512)	19.2(.756)	30.4(1.197)			
	14	9/16 "	RNB2-14	15.0(.591)	27.0(1.063)	39.3(1.547)			
	16	5/16 "	RNB2-16	17.0(.669)					
20	3/4 "	RNB2-20	21.0(.827)						
2.5-4 (14-12)	4	#8	RNB3-4	4.3(.169)	8.0(.315)	18.0(.709)	6.0(.236)	2.9(.114)	1000
	5	#10	RNB3-5S	5.3(.209)					
	5	#10	RNB3-5L	5.3(.209)	12.0(.472)	21.4(.843)			
	6	1/4 "	RNB3-6	6.4(.252)					
4-6 (12-10)	3	#4	RNB5-3.7	3.7(.146)	7.2(.283)	15.7(.618)	6.0(.236)	3.4(.134)	1000
	4	#8	RNB5-4S	4.3(.169)					
	4	#8	RNB5-4L	4.3(.169)	9.5(.374)	19.0(.748)			
	5	#10	RNB5-5	5.3(.209)					
	6	1/4 "	RNB5-6	6.4(.252)	12.0(.472)	22.5(.886)			
	6	1/4 "	RNB5-6M	6.4(.252)		25.0(.984)			
	8	5/16 "	RNB5-8	8.4(.331)	15.0(.591)	27.0(1.063)			
10	3/8 "	RNB5-10	10.5(.413)						

RING TERMINALS

WIRE RANGE mm ² (A.W.G.)	STUD SIZE		ITEM NO .	DIMENSION mm(inch)					PCS/PACK
	Metric (mm)	American (inch)		d2	W	L	E	d1	
4-6 (12-10)	12	1/2 "	RNB5-12	13.0(.512)	19.2(.756)	31.6(1.244)	6.0(.236)	3.4(.134)	500
	14	9/16 "	RNB5-14	15.0(.591)	32.0(1.260)	47.2(1.858)			
	16	5/8 "	RNB5-16	17.0(.669)					
	20	3/4 "	RNB5-20	21.0(.827)					
8 (8)	3.5	#6	RNB8-3.7	3.7(.146)	8.0(.315)	21.5(.846)	8.5(.337)	4.5(.177)	500
	4	#8	RNB8-4S	4.3(.169)					
	4	#8	RNB8-4L	4.3(.169)	12.0(.472)	23.8(.937)			
	5	#10	RNB8-5S	5.3(.209)	8.8(.346)				
	5	#10	RNB8-5M	5.3(.209)	12.0(.472)				
	5	#10	RNB8-5L	5.3(.209)	15.0(.591)	29.8(1.173)			
	6	1/4 "	RNB8-6S	6.4(.252)	12.0(.472)	23.8(.937)			
	6	1/4 "	RNB8-6L	6.4(.252)	15.0(.591)	29.8(1.161)			
	8	5/16 "	RNB8-8	8.4(.331)					
	10	3/8 "	RNB8-10	10.5(.413)					
12	1/2 "	RNB8-12	13.0(.512)	20.0(.787)	33.5(1.319)				
14 (6)	4	#8	RNB14-4	4.3(.169)	12.0(.472)	29.8(1.173)	10.5(.413)	5.8(.228)	500
	5	#10	RNB14-5	5.3(.209)					
	6	1/4 "	RNB14-6S	6.4(.252)	16.0(.630)	32.5(1.280)			
	6	1/4 "	RNB14-6L	6.4(.252)					
	14	5/16 "	RNB14-8	8.4(.331)					
	10	3/8 "	RNB14-10	10.5(.413)					

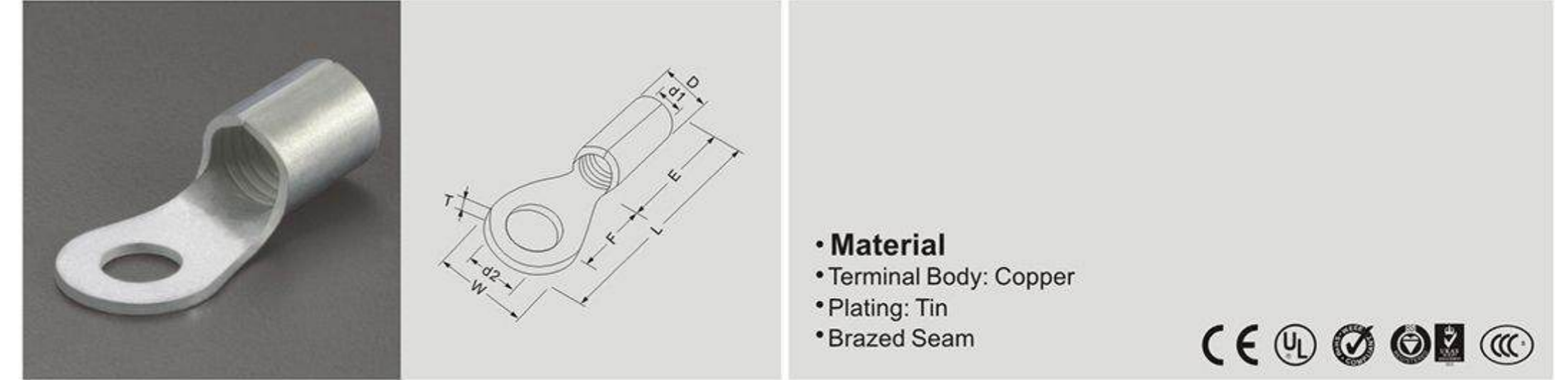


- **Material**
- Terminal Body: Copper
- Plating: Tin
- Brazed Seam



RING TERMINALS

WIRE RANGE mm ² (A.W.G.)	STUD SIZE		ITEM NO .	DIMENSION mm(inch)					PCS/PACK
	Metric (mm)	American (inch)		d2	W	L	E	d1	
14 (6)	11	7/16 "	RNB14-11	11.5(.453)	22.0(.866)	41.0(1.614)	10.5(.413)	5.8(.228)	250
	12	1/2 "	RNB14-12	13.0(.512)					
22 (4)	4	#8	RNB22-4	4.3(.169)	12.2(.480)	33.2(1.307)	12.0(.472)	7.7(.303)	250
	5	#10	RNB22-5S	5.3(.209)					
	5	#10	RNB22-5L	5.3(.209)	16.5(.650)	33.5(1.319)			
	6	1/4 "	RNB22-6S	6.4(.252)	12.2(.480)	33.0(1.299)			
	6	1/4 "	RNB22-6L	6.4(.252)	16.5(.650)	33.5(1.319)			
	8	5/16 "	RNB22-8	8.4(.331)					
	10	3/8 "	RNB22-10	10.5(.413)	22.0(.866)	42.5(1.661)			
	11	7/16 "	RNB22-11	11.5(.453)					
	12	1/2 "	RNB22-12	13.0(.512)	200				
	38 (2)	5	#10	RNB38-5	5.3(.209)	15.3(.602)			
6		1/4 "	RNB38-6S	6.4(.252)					
6		1/4 "	RNB38-6L	6.4(.252)	22.0(.866)	42.7(1.681)			
8		5/16 "	RNB38-8S	8.4(.331)	15.3(.602)	39.0(1.535)			
8		5/16 "	RNB38-8L	8.4(.331)	22.0(.866)	42.7(1.681)			
10		3/8 "	RNB38-10S	10.5(.413)	15.3(.602)	39.0(1.535)			
10		3/8 "	RNB38-10L	10.5(.413)	22.0(.866)	42.7(1.681)			
11		7/16 "	RNB38-11	11.5(.453)					
12	1/2 "	RNB38-12	13.0(.512)						



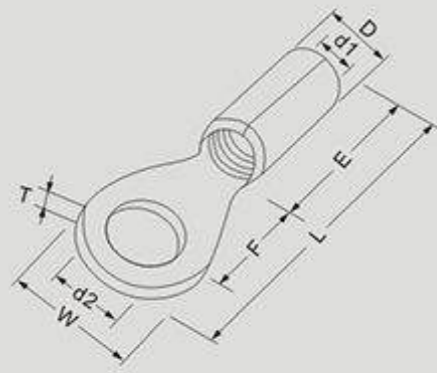
- **Material**
- Terminal Body: Copper
- Plating: Tin
- Brazed Seam



RING TERMINALS

WIRE RANGE mm ² (A.W.G.)	STUD SIZE		ITEM NO .	DIMENSION mm(inch)					PCS/PACK
	Metric (mm)	American (inch)		d2	W	L	E	d1	
60 (1/0)	6	1/4 "	RNB60-6	6.4(.252)	22.0(.866)	49.7(1.957)	18.0(.709)	11.4(.449)	100
	8	5/16 "	RNB60-8	8.4(.331)					
	10	3/8 "	RNB60-10	10.5(.413)					
	11	7/16 "	RNB60-11	11.5(.453)					
	12	1/2 "	RNB60-12	13.0(.512)	32.0(1.260)	57.5(2.264)			
	13	9/16 "	RNB60-13	14.0(.551)					
	14	9/16 "	RNB60-14	15.0(.591)	32.0(1.260)	61.0(2.402)			
	16	5/8 "	RNB60-16	17.0(.669)					
	18	11/16 "	RNB60-18	19.0(.748)					
	20	3/4 "	RNB60-20	21.0(.827)					
22	7/8 "	RNB60-22	23.0(.906)						
22	7/8 "	RNB60-22	23.0(.906)						
70 (2/0)	6	1/4 "	RNB70-6	6.4(.252)	24.0(.945)	50.0(1.969)	18.0(.709)	13.3(.524)	100
	8	5/16 "	RNB70-8	8.4(.331)					
	10	3/8 "	RNB70-10	10.5(.413)					
	11	7/16 "	RNB70-11	11.5(.453)					
	12	1/2 "	RNB70-12	13.0(.512)	32.0(1.260)	61.0(2.402)			
	13	9/16 "	RNB70-13	14.0(.551)					
	14	9/16 "	RNB70-14	15.0(.591)					
	16	5/8 "	RNB70-16	17.0(.669)					
	18	11/16 "	RNB70-18	19.0(.748)					
	20	3/4 "	RNB70-20	21.0(.827)					
	22	7/8 "	RNB70-22	23.0(.906)					
	22	7/8 "	RNB70-22	23.0(.906)					

Non-Insulated with Brazed Seam



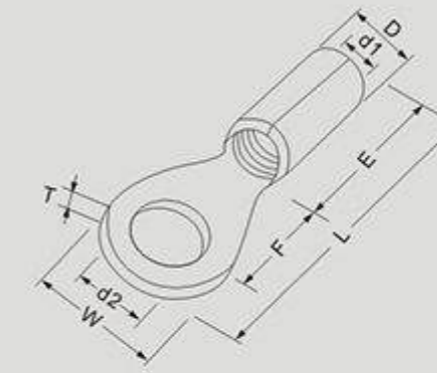
- **Material**
- Terminal Body: Copper
- Plating: Tin
- Brazed Seam



RING TERMINALS

WIRE RANGE mm ² (A.W.G.)	STUD SIZE		ITEM NO .	DIMENSION mm(inch)					PCS/PACK
	Metric (mm)	American (inch)		d2	W	L	E	d1	
80 (3/0)	6	1/4 "	RNB80-6	6.4(.252)	27.0(1.063)	54.2(2.134)	20.0(.787)	14.5(.571)	50
	8	5/16 "	RNB80-8	8.4(.331)					
	10	3/8 "	RNB80-10	10.5(.413)					
	11	7/16 "	RNB80-11	11.5(.453)					
	12	1/2 "	RNB80-12	13.0(.512)					
	13	9/16 "	RNB80-13	14.0(.551)					
	14	9/16 "	RNB80-14	15.0(.591)	32.0(1.260)	68.0(2.677)			
	16	5/8 "	RNB80-16	17.0(.669)					
	18	11/16 "	RNB80-18	19.0(.748)					
	20	3/4 "	RNB80-20	21.0(.827)					
22	7/8 "	RNB80-22	23.0(.906)						
100 (4/0)	6	1/4 "	RNB100-6	6.4(.252)	28.5(1.122)	55.6(2.189)	21.0(.827)	16.4(.646)	50
	8	5/16 "	RNB100-8	8.4(.331)					
	10	3/8 "	RNB100-10	10.5(.413)					
	11	7/16 "	RNB100-11	11.5(.453)					
	12	1/2 "	RNB100-12	13.0(.512)	32.0(1.260)	69.0(2.717)			
	14	9/16 "	RNB100-14	15.0(.591)					
	16	5/8 "	RNB100-16	17.0(.669)					
	18	11/16 "	RNB100-18	19.0(.748)					
	20	3/4 "	RNB100-20	21.0(.827)					
	22	7/8 "	RNB100-22	23.0(.906)					

Non-Insulated with Brazed Seam

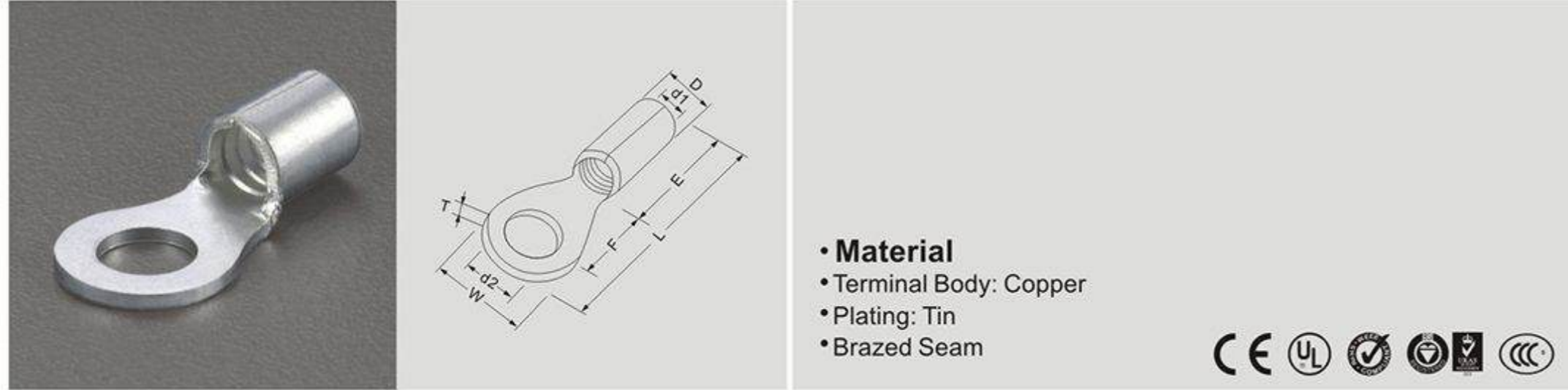


- **Material**
- Terminal Body: Copper
- Plating: Tin
- Brazed Seam



RING TERMINALS

WIRE RANGE mm ² (A.W.G.)	STUD SIZE		ITEM NO .	DIMENSION mm(inch)					PCS/PACK
	Metric (mm)	American (inch)		d2	W	L	E	d1	
150 (250/300)	8	5/16 "	RNB150-8	8.4(.331)	36.0(1.417)	66.0(2.599)	27.0(1.063)	19.5(.768)	25
	10	3/8 "	RNB150-10	10.5(.413)					
	11	7/16 "	RNB150-11	11.5(.453)					
	12	1/2 "	RNB150-12	13.0(.512)					
	14	9/16 "	RNB150-14	15.0(.591)					
	16	5/8 "	RNB150-16	17.0(.669)					
	18	11/16 "	RNB150-18	19.0(.748)	36.0(1.417)	81.0(6.189)			
	20	3/4 "	RNB150-20	21.0(.827)					
	22	7/8 "	RNB150-22	23.0(.906)					
	24	15/16 "	RNB150-24	25.0(.984)					
27	1	RNB150-27	28.0(1.102)						
180 (300/350)	8	5/16 "	RNB180-8	8.4(.331)	38.5(1.516)	69.0(2.717)	28.5(1.122)	21.0(.827)	10
	10	3/8 "	RNB180-10	10.5(.413)					
	11	7/16 "	RNB180-11	11.5(.453)					
	12	1/2 "	RNB180-12	13.0(.512)					
	14	9/16 "	RNB180-14	15.0(.591)					
	16	5/8 "	RNB180-16	17.0(.669)					
	18	11/16 "	RNB180-18	19.0(.748)	38.5(1.516)	86.6(3.409)			
	20	3/4 "	RNB180-20	21.0(.827)					
	22	7/8 "	RNB180-22	23.0(.906)					
	24	15/16 "	RNB180-24	25.0(.984)					
27	1	RNB180-27	28.0(1.102)						

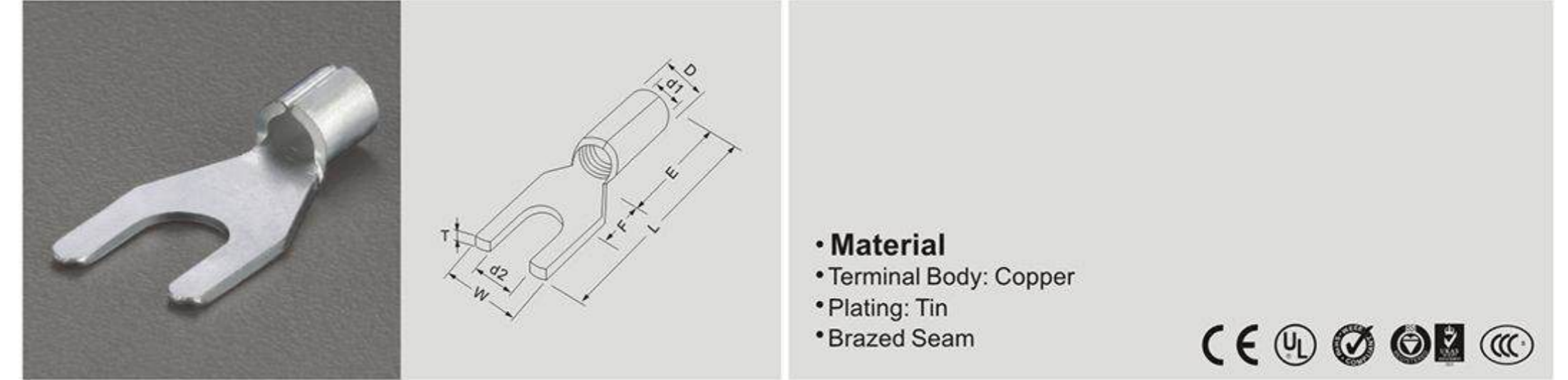


- **Material**
- Terminal Body: Copper
- Plating: Tin
- Brazed Seam



RING TERMINALS

WIRE RANGE mm ² (A.W.G.)	STUD SIZE		ITEM NO .	DIMENSION mm(inch)					PCS/PACK		
	Metric (mm)	American (inch)		d2	W	L	E	d1			
200 (400/500)	8	5/16 "	RNB200-8	8.4(.331)	44.0(1.732)	72.0(2.835)	31.5(1.240)	24.0(.945)	10		
	10	3/8 "	RNB200-10	10.5(.413)							
	11	7/16 "	RNB200-11	11.5(.453)							
	12	1/2 "	RNB200-12	13.0(.512)							
	14	9/16 "	RNB200-14	15.0(.591)							
	16	5/8 "	RNB200-16	17.0(.669)	44.0(1.732)	91.0(3.583)	31.5(1.240)	24.0(.945)			
	18	11/16 "	RNB200-18	19.0(.748)							
	20	3/4 "	RNB200-20	21.0(.827)							
	22	7/8 "	RNB200-22	23.0(.906)							
	24	15/16 "	RNB200-24	25.0(.984)							
27	1	RNB200-27	28.0(1.102)	50.5(1.988)	88.0(3.465)	35.5(1.398)	28.0(1.102)				
8	5/16 "	RNB325-8	8.4(.331)								
10	3/8 "	RNB325-10	10.5(.413)								
11	7/16 "	RNB325-11	11.5(.453)								
12	1/2 "	RNB325-12	13.0(.512)								
14	9/16 "	RNB325-14	15.0(.591)								
16	5/8 "	RNB325-16	17.0(.669)					50.5(1.988)	105.7(4.161)	35.5(1.398)	28.0(1.102)
18	11/16 "	RNB325-18	19.0(.748)								
20	3/4 "	RNB325-20	21.0(.827)								
22	7/8 "	RNB325-22	23.0(.906)								
24	15/16 "	RNB325-24	25.0(.984)								
27	1	RNB325-27	28.0(1.102)								

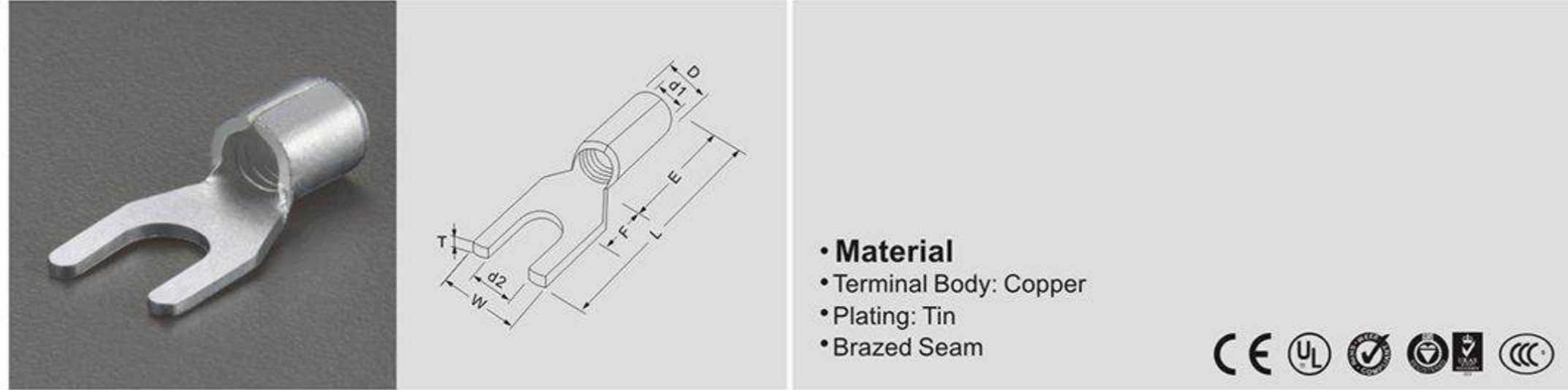


- **Material**
- Terminal Body: Copper
- Plating: Tin
- Brazed Seam



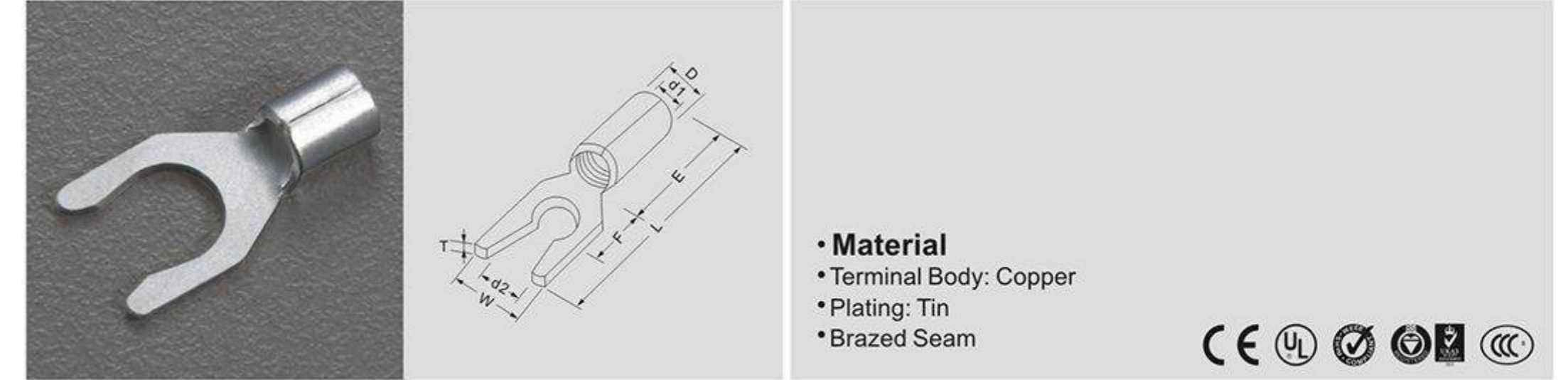
SPADE TERMINALS

WIRE RANGE mm ² (A.W.G.)	STUD SIZE		ITEM NO .	DIMENSION mm(inch)					PCS/PACK	
	Metric (mm)	American (inch)		d2	W	L	E	d1		
0.5-1.5 (22-16)	3	#4	SNB1-3.2	3.2(.126)	5.7(.224)	16.0(.630)	4.8(.189)	1.7(0.67)	1000	
	3.5	#6	SNB1-3.7S	3.7(.146)						
	3.5	#6	SNB1-3.7L	3.7(.146)						
	3.5	#6	SNB1-3.7LL	3.7(.146)						
	4	#8	SNB1-4S	4.3(.169)						
	4	#8	SNB1-4M	4.3(.169)	8.1(.319)	16.0(.630)	4.8(.189)	1.7(0.67)		
	4	#8	SNB1-4L	4.3(.169)						
	5	#10	SNB1-5S	5.3(.209)						
	5	#10	SNB1-5L	5.3(.209)						
	6	1/4 "	SNB1-6S	6.4(.252)						
6	1/4 "	SNB1-6L	6.4(.252)	12.0(.472)	22.0(.866)	4.8(.189)	2.3(.091)			
1.5-2.5 (16-14)	3	#4	SNB2-3.2	3.2(.126)	5.7(.224)			16.0(.630)	4.8(.189)	2.3(.091)
	3.5	#6	SNB2-3.7S	3.7(.146)						
	3.5	#6	SNB2-3.7L	3.7(.146)						
	3.5	#6	SNB2-3.7LL	3.7(.146)						
	4	#8	SNB2-4S	4.3(.169)						
	4	#8	SNB2-4M	4.3(.169)	7.9(.311)			16.0(.630)	4.8(.189)	2.3(.091)
	4	#8	SNB2-4L	4.3(.169)						
	5	#10	SNB2-5S	5.3(.209)						
	5	#10	SNB2-5L	5.3(.209)						
	6	1/4 "	SNB2-6S	6.4(.252)						
6	1/4 "	SNB2-6L	6.4(.252)	12.0(.472)	22.0(.866)					



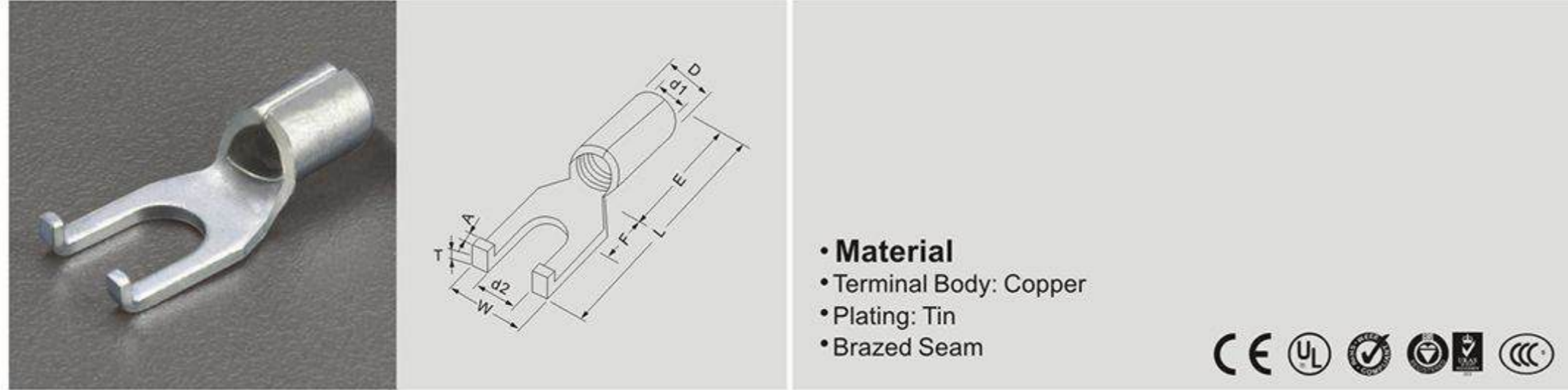
SPADE TERMINALS

WIRE RANGE mm ² (A.W.G.)	STUD SIZE		ITEM NO .	DIMENSION mm(inch)					PCS/PACK
	Metric (mm)	American (inch)		d2	W	L	E	d1	
2.5-4 (14-12)	3.5	#6	SNB3-3.7	3.7(.146)	8.0(.315)	18.3(.720)	6.0(.236)	3.0(.188)	1000
	4	#8	SNB3-4	4.3(.169)					
	5	#10	SNB3-5	5.3(.209)					
	6	1/4 "	SNB3-6	6.4(.252)	12.0(.472)	21.5(.846)			
4-6 (12-10)	3.5	#6	SNB5-3.7S	3.7(.146)	7.2(.283)	17.4(.685)	6.0(.236)	3.4(.134)	1000
	3.5	#6	SNB5-3.7	3.7(.146)	8.3(.327)	18.5(.728)			
	4	#8	SNB5-4SS	4.3(.169)	7.2(.283)	17.4(.685)			
	4	#8	SNB5-4S	4.3(.169)	8.3(.327)	18.5(.728)			
	4	#8	SNB5-4L	4.3(.169)	9.0(.354)				
	5	#10	SNB5-5	5.3(.209)		12.0(.472)			
	6	1/4 "	SNB5-6S	6.4(.252)	14.0(.551)	23.5(.925)			
	6	1/4 "	SNB5-6L	6.4(.252)	10.5(.413)	20.8(.819)			
8	5/16 "	SNB5-8	8.4(.331)	10.8(.425)	22.5(.886)				
8 (8)	5	#10	SNB8-5	5.3(.209)	10.5(.413)	20.8(.819)	8.5(.335)	4.5(.177)	500
14 (6)	6	1/4 "	SNB14-6	6.4(.252)	11.0(.433)	25.5(1.004)	10.5(.413)	5.8(.228)	500
	8	5/16 "	SNB14-8	8.4(.331)	13.8(.543)	28.5(1.122)			



LOCKING SPADE TERMINALS

WIRE RANGE mm ² (A.W.G.)	STUD SIZE		ITEM NO .	DIMENSION mm(inch)					PCS/PACK
	Metric (mm)	American (inch)		d2	W	L	E	d1	
0.5-1.5 (22-16)	3.5	#6	LSNB1-3.7	3.7(.146)	6.4(.252)	16.0(.630)	4.8(.189)	1.7(.067)	1000
	4	#8	LSNB1-4S	4.3(.169)	7.2(.283)				
	4	#8	LSNB1-4L	4.3(.169)	8.1(.319)				
	5	#10	LSNB1-5S	5.3(.209)	8.1(.319)				
	5	#10	LSNB1-5L	5.3(.209)	9.5(.374)				
1.5-2.5 (16-14)	3.5	#6	LSNB2-3.7S	3.7(.146)	6.0(.236)	16.0(.630)	4.8(.189)	2.3(.091)	1000
	4	#8	LSNB2-4	4.3(.169)	7.2(.283)				
	4	#8	LSNB2-4L	4.3(.169)	8.1(.319)				
	5	#10	LSNB2-5S	5.3(.209)	8.1(.319)				
	5	#10	LSNB2-5L	5.3(.209)	9.3(.366)				
4-6 (12-10)	3.5	#6	LSNB5-3.7	3.7(.146)	8.3(.327)	18.2(.717)	6.0(.236)	3.4(.134)	1000
	4	#8	LSNB5-4	4.3(.169)	8.3(.327)				
	5	#10	LSNB5-5	5.3(.209)	9.0(.354)				
	6	1/4 "	LSNB5-6	6.4(.252)	12.0(.472)				

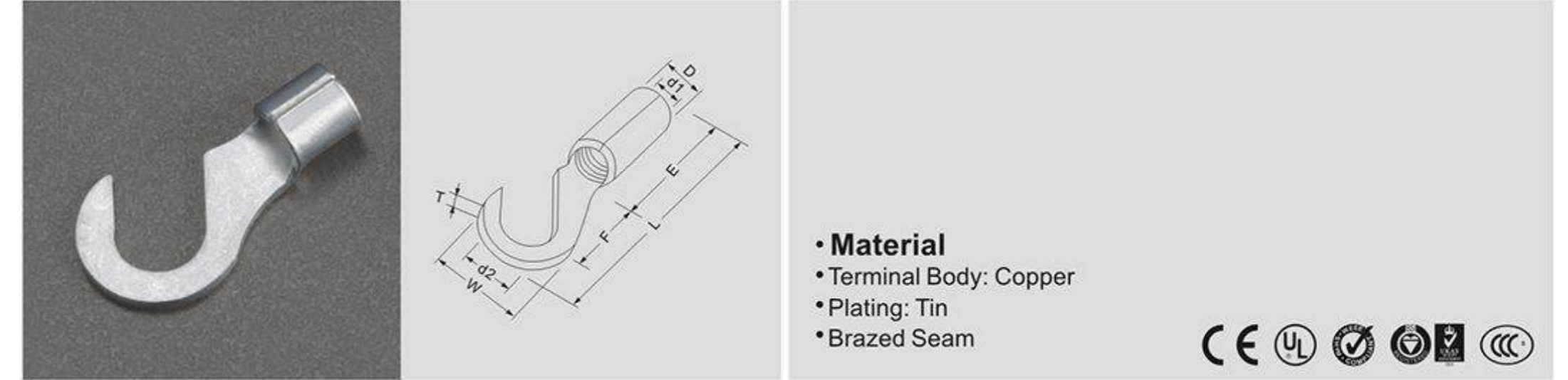


- **Material**
- Terminal Body: Copper
- Plating: Tin
- Brazed Seam



FLANGE SPADE TERMINALS

WIRE RANGE mm ² (A.W.G.)	STUD SIZE		ITEM NO .	DIMENSION mm(inch)					PCS/PACK
	Metric (mm)	American (inch)		d2	W	L	E	d1	
0.5-1.5 (22-16)	3	#4	FSNB1-3.2	3.2(.126)	7.5(.295)	14	4.8	1.7(.067)	1000
	3	#4	FSNB1-3.2S	3.2(.126)	6.4(.252)				
	3.5	#6	FSNB1-3.7	3.7(.146)	7.5(.295)				
	3.5	#6	FSNB1-3.7S	3.7(.146)	6.4(.252)				
	3.5	#6	FSNB1-3.7L	3.7(.146)	8.5(.335)	19.5			
	4	#8	FSNB1-4	4.3(.169)	7.5(.295)	14			
	4	#8	FSNB1-4L	4.3(.169)	8.5(.335)	19.5			
	5	#10	FSNB1-5	5.3(.209)	7.5(.295)	14			
1.5-2.5 (16-14)	5	#10	FSNB1-5L	5.3(.209)	8.5(.335)	19.5			
	3.5	#6	FSNB2-3.7	3.7(.146)	7.5(.295)	14.5	4.8	2.3(.091)	1000
	3.5	#6	FSNB2-3.7L	3.7(.146)	8.5(.335)	18.5			
	4	#8	FSNB2-4	4.3(.169)	7.5(.295)	14.5			
	4	#8	FSNB2-4M	4.3(.169)	8.0(.315)	18.5			
	4	#8	FSNB2-4L	4.3(.169)	8.5(.335)	18.5			
5	#10	FSNB2-5	5.3(.209)	7.5(.295)	14.5				
4-6 (12-10)	5	#10	FSNB2-5L	5.3(.209)	8.5(.335)	18.5			
	3.5	#6	FSNB5-3.7	3.7(.146)	8.5(.335)	20	6.0	3.4(.134)	1000
	3.5	#6	FSNB5-3.7S	3.7(.146)	7.6(.299)	18.5			
	4	#8	FSNB5-4	4.3(.169)	8.5(.335)	20			
	4	#8	FSNB5-4S	4.3(.169)	7.6(.299)	18.5			
	5	#10	FSNB5-5	5.3(.209)	8.5(.335)	20			
5	#10	FSNB5-5S	5.3(.209)	7.6(.299)	18.5				

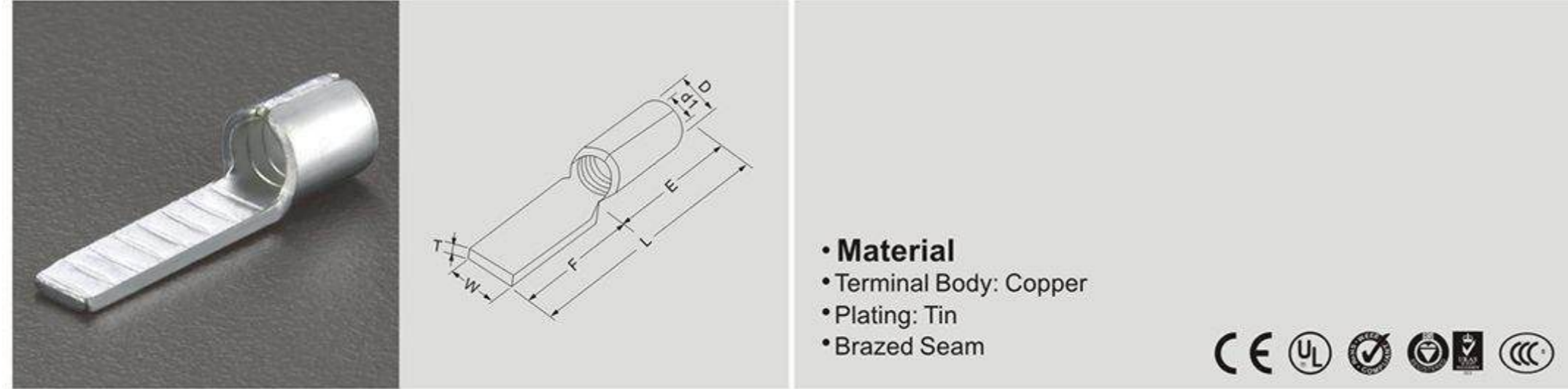


- **Material**
- Terminal Body: Copper
- Plating: Tin
- Brazed Seam



HOOK TERMINALS

WIRE RANGE mm ² (A.W.G.)	STUD SIZE		ITEM NO .	DIMENSION mm(inch)					PCS/PACK		
	Metric (mm)	American (inch)		d2	W	L	E	d1			
0.5-1.5 (22-16)	3.5	#6	HNB1-3.7	3.7(.146)	8.0(.315)	15.8	4.8	1.7(.067)	1000		
	4	#8	HNB1-4	4.3(.169)							
	5	#10	HNB1-5	5.3(.209)							
	6	1/4 "	HNB1-6	6.4(.252)						11.6(.457)	21.8
1.5-2.5 (16-14)	3.5	#6	HNB2-3.7	3.7(.146)	8.5(.335)	16.8	4.8	2.3(.091)	1000		
	4	#8	HNB2-4	4.3(.169)							
	5	#10	HNB2-5	5.3(.209)						9.5(.374)	
	6	1/4 "	HNB2-6	6.4(.252)						12.0(.472)	21.8
4-6 (12-10)	3.5	#6	HNB5-3.7	3.7(.146)	9.5(.374)	19.8	6.0	3.4(.134)	1000		
	4	#8	HNB5-4	4.3(.169)							
	5	#10	HNB5-5	5.3(.209)							
	6	1/4 "	HNB5-6	6.4(.252)						12.0(.472)	22.5
	8	5/16 "	HNB5-8	8.4(.331)						15.0(.591)	27

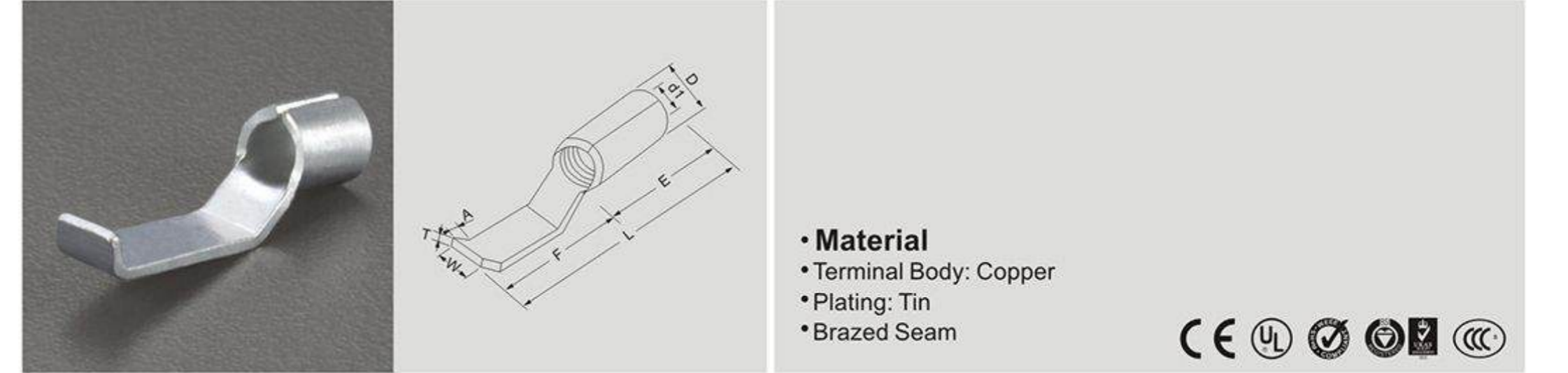


- **Material**
- Terminal Body: Copper
- Plating: Tin
- Brazed Seam



BLADE TERMINALS

WIRE RANGE mm ² (A.W.G.)	ITEM NO .	DIMENSION mm(inch)				PCS/PACK
		W	F	L	d1	
0.2-0.5 (26-22)	DBNB0.5-8	1.5(.059)	8.0(.315)	12.0	1.0(.039)	1000
	DBNB1-9	2.8(.110)	9.0(.354)	12.0	1.7(.067)	
0.5-1.5 (22-16)	DBNB1-10	2.3(.091)	10.0(.394)	14.0		
	DBNB1-11	3.0(.118)	11.0(.433)	15.0		
	DBNB1-13	3.0(.118)	13.0(.512)	17.8		
	DBNB1-14	3.0(.118)	14.0(.551)	18.8		
	DBNB1-18	2.2(.087)	18.0(.709)	22.8		
DBNB1-18S	2.0(.079)					
1.5-2.5 (16-14)	DBNB2-9	2.8(.110)	9.0(.354)	13.8	2.3(.091)	1000
	DBNB2-10	2.4(.094)	10.0(.394)	14.8		
	DBNB2-13	2.4(.094)	13.0(.512)	17.8		
	DBNB2-13L	3.0(.118)				
	DBNB2-14	2.4(.094)	14.0(.551)	18.8		
	DBNB2-14L	3.0(.118)				
	DBNB2-18S	2.0(.079)	18.0(.709)	22.8		
	DBNB2-18	2.2(.087)				
	DBNB2-18L	2.8(.110)				
4-6 (12-10)	DBNB5-10	2.8(.110)	10.0(.394)	16.0	3.4(.134)	1000
	DBNB5-14S	4.0(.157)	14.0(.551)	20.0		
	DBNB5-14	4.5(.177)	14.0(.551)			
	DBNB5-18S	2.0(.079)	18.0(.709)	24.0		
	DBNB5-18	4.5(.177)	18.0(.709)			



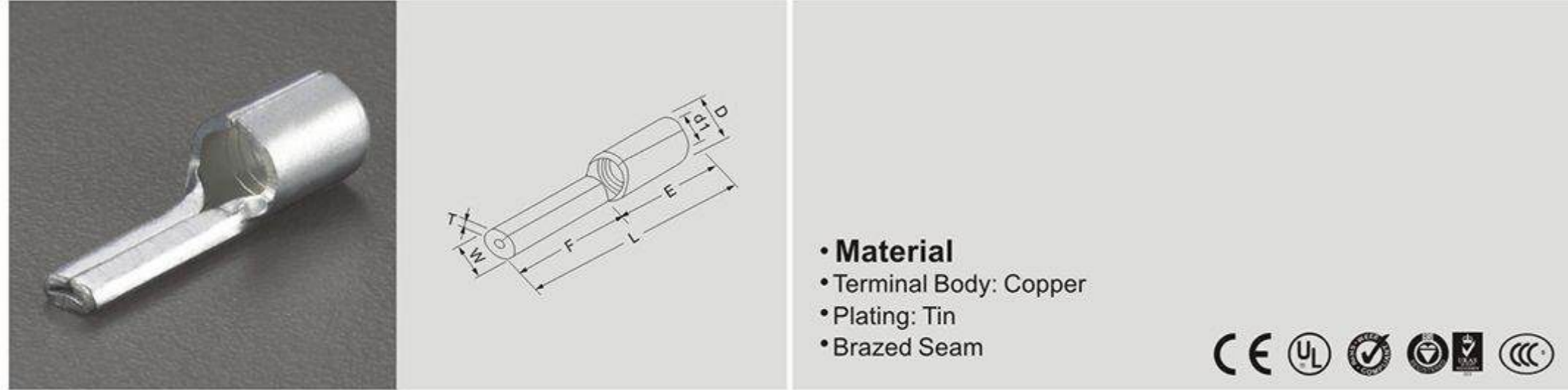
- **Material**
- Terminal Body: Copper
- Plating: Tin
- Brazed Seam



LIPPED BLADE TERMINALS

WIRE RANGE mm ² (A.W.G.)	ITEM NO .	DIMENSION mm(inch)				PCS/PACK
		W	L	E	d1	
0.5-1.5 (22-16)	LBNB1-3	3.0(.118)	22.0	4.8	1.7(.067)	1000
	LBNB1-4.6	4.6(.181)				
1.5-2.5 (16-14)	LBNB2-3	3.0(.118)	22.0	4.8	2.3(.091)	1000
	LBNB2-4.6	4.6(.181)				
4-6 (12-10)	LBNB5-3	3.0(.118)	22.0	6.0	3.4(.134)	1000
	LBNB5-4.6	4.6(.181)				

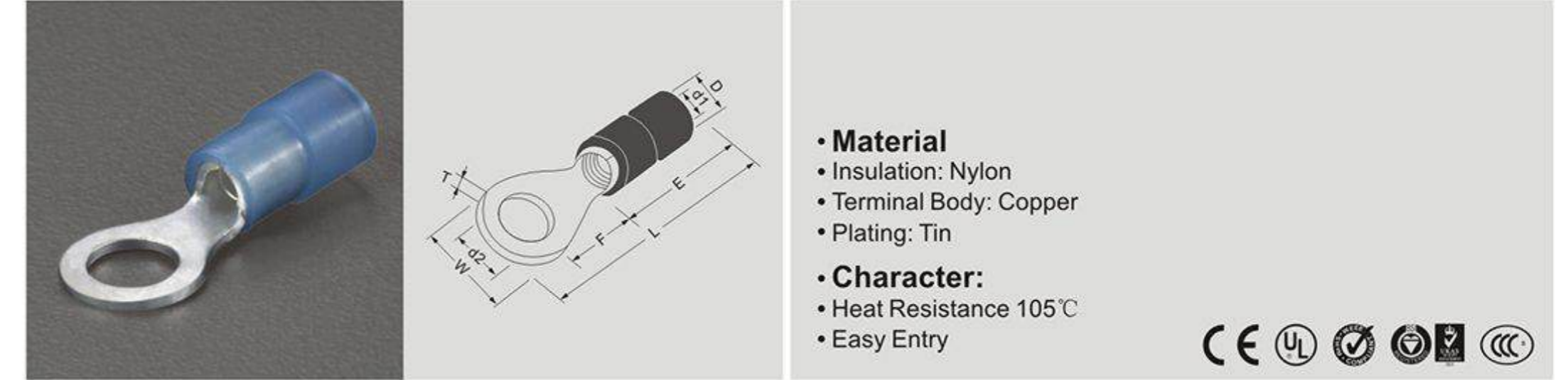
Non-Insulated with Brazed Seam



PIN TERMINALS

WIRE RANGE mm ² (A.W.G.)	ITEM NO .	DIMENSION mm(inch)				PCS/PACK
		W	F	L	d1	
0.2-0.5 (26-22)	PTNB0.5-9	1.4(.055)	10.0(.394)	14.0(.551)	1.0(.039)	1000
0.5-1.5 (22-16)	PTNB1-9	1.9(.075)	9.0(.354)	13.8(.543)	1.7(.067)	1000
	PTNB1-10		10.0(.394)	14.8(.583)		
	PTNB1-12		12.0(.472)	16.8(.661)		
	PTNB1-13		13.0(.512)	17.8(.701)		
	PTNB1-14		14.0(.551)	18.8(.740)		
	PTNB1-16		16.0(.630)	20.8(.819)		
1.5-2.5 (16-14)	PTNB2-9	1.9(.075)	9.0(.354)	13.8(.543)	2.3(.091)	1000
	PTNB2-10		10.0(.394)	14.8(.583)		
	PTNB2-12		12.0(.472)	16.8(.661)		
	PTNB2-13		13.0(.512)	17.8(.701)		
	PTNB2-16		16.0(.630)	21.0(.827)		
2.5-6 (12-10)	PTNB5-13	2.8(.110)	14.0(.551)	20.0(.787)	3.4(.134)	1000
10 (8)	PTNB10-12	4.3(.169)	14.0(.551)	22.0(.866)	4.5(.177)	1000
16 (6)	PTNB16-13	5.5(.217)	16.0(.630)	26.0(1.024)	5.8(.228)	500
25 (4)	PTNB25-15	6.8(.268)	20.0(.787)	33.5(.1319)	7.0(.276)	500
35 (2)	PTNB35-20	8.0(.315)	24.5(.965)	40.5(1.591)	8.4(.331)	500
50 (1/0)	PTNB50-20	9.5(.374)	26.0(1.024)	45.0(1.772)	9.6(.378)	500
70 (3/0)	PTNB70-25	11.0(.433)	31.0(1.220)	55.0(2.165)	11.4(.449)	500
95 (4/0)	PTNB95-25	12.5(.492)	31.0(1.220)	55.0(2.165)	13.5(.531)	500

Nylon Insulated with Brazed Seam




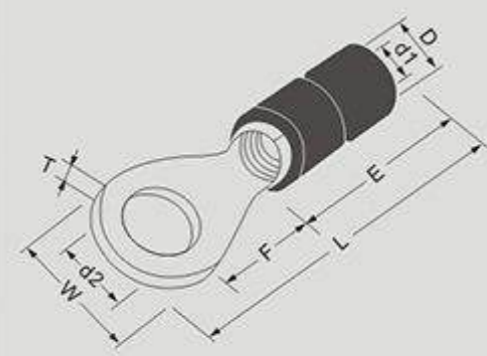
RING TERMINALS DIN 46237

WIRE RANGE mm ² (A.W.G.)	STUD SIZE Metric (mm)	ITEM NO .	DIMENSION mm(inch)				PCS/PACK	COLOR	
			d2	W	L	E			d1
0.5-1.5	2	DRNY1-2	2.2	6.0	17.0	11.0	1.6	1000	
	2.5	DRNY1-2.5	2.7						
	3	DRNY1-3	3.2						
	3.5	DRNY1-3.5	3.7						
	4	DRNY1-4S	4.3	7.0	17.5				
	4	DRNY1-4	4.3	8.0	18.0				
	5	DRNY1-5S	5.3	8.0	18.5				19.0
	5	DRNY1-5	5.3	10.0	19.0				
	6	DRNY1-6	6.5	10.0	23.0				
	6	DRNY1-6L	6.5	11.0					21.0
8	DRNY1-8	8.4	14.0	23.0					
10	DRNY1-10	10.5	14.0						
10	DRNY1-10L	10.5	18.0		25.0				
1.5-2.5	3	DRNY2.5-3	3.2	6.0	17.0	11.0	2.3	1000	
	3.5	DRNY2.5-3.5	3.7						
	4	DRNY2.5-4S	4.3						6.8


Nylon Insulated with Brazed Seam







- **Material**
- Insulation: Nylon
- Terminal Body: Copper
- Plating: Tin
- **Character:**
- Heat Resistance 105°C
- Easy Entry




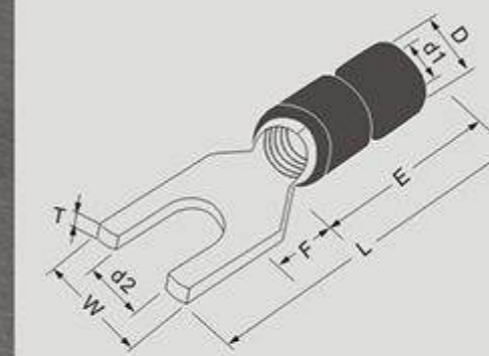
RING TERMINALS DIN 46237

WIRE RANGE mm ² (A.W.G.)	STUD SIZE Metric (mm)	ITEM NO .	DIMENSION mm(inch)					PCS/PACK	COLOR
			d2	W	L	E	d1		
1.5-2.5	4	DRNY2.5-4	4.3	8.0	18.0	11.0	2.3	1000	Blue
	5	DRNYS2.5-5	5.3		19.5				
	5	DRNY2.5-5	5.3	10.0	20.0				
	6	DRNY2.5-6	6.5	11.0	22.0				
	8	DRNY2.5-8	8.4	14.0	23.0				
	10	DRNY2.5-10	10.5	15.0					
	10	DRNY2.5-10L	10.5	18.0	24.5				
	12	DRNY2.5-12	13.0	18.0	26.0				
2.5-6	4	DRNY6-4	4.3	8.0	21.0	13.0	3.6	500	Yellow
	5	DRNY6-5	5.3	10.0	22.0				
	6	DRNY6-6	6.5	11.0	23.0				
	8	DRNY6-8	8.4	14.0	26.0				
	10	DRNY6-10	10.5	18.0	28.0				
	12	DRNY6-12	13.0						


Nylon Insulated with Brazed Seam







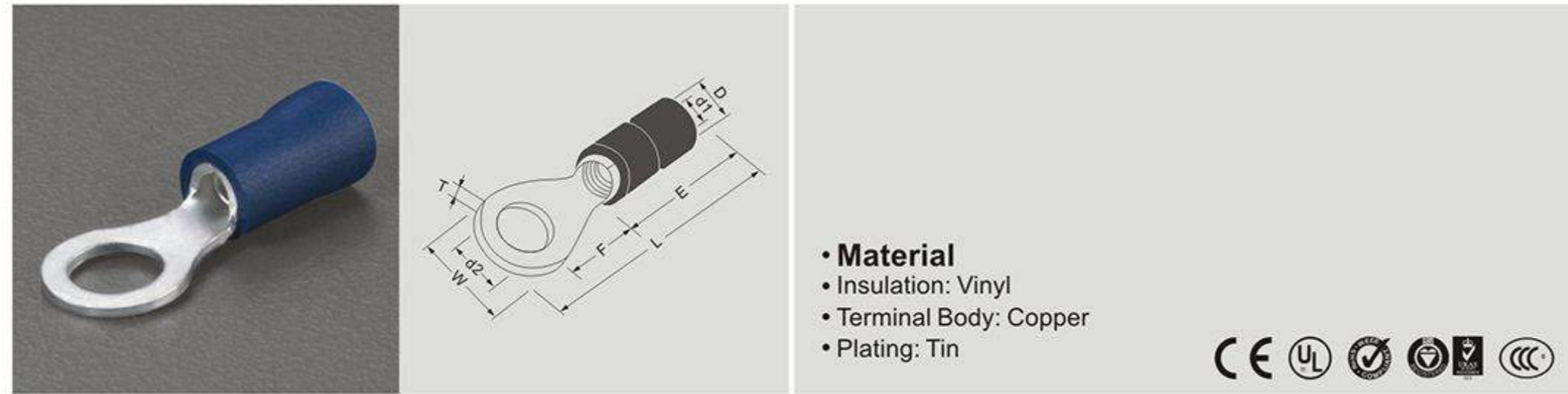
- **Material**
- Insulation: Nylon
- Terminal Body: Copper
- Plating: Tin
- **Character:**
- Heat Resistance 105°C
- Easy Entry



SPADE TERMINALS DIN 46237

WIRE RANGE mm ² (A.W.G.)	STUD SIZE Metric (mm)	ITEM NO .	DIMENSION mm(inch)					PCS/PACK	COLOR	
			d2	W	L	E	d1			
0.2-0.5	2	DSNY0.5-2	2.2	5.0	12.0	8.0	1.0	1000	Yellow	
	3	DSNY0.5-3	3.2							
	3.5	DSNY0.5-3.5	3.7	15.0						
	4	DSNY0.5-4	4.3		6.0					17.0
	5	DSNY0.5-5	5.3							
0.5-1.5	3	DSNY1-3	3.2	6.0	17.0	11.0	1.6	1000	Red	
	3.5	DSNY1-3.5	3.7							
	4	DSNY1-4	4.3	6.8	18.0					
	4	DSNY1-4L	4.3							8.0
	5	DSNY1-5	5.3	10.0	21.0					
1.5-2.5	3	DSNY2.5-3	3.2	5.5	19.0	11.0	2.3	1000	Blue	
	3.5	DSNY2.5-3.5	3.7	6.0	17.0					
	4	DSNY2.5-4	4.3	6.8	18.0					
	4	DSNY2.5-4L	4.3	8.0	18.0					
	5	DSNY2.5-5	5.3	10.0	20.0					
	6	DSNY2.5-6	6.5	11.0	22.0					
2.5-6	4	DSNY6-4	4.3	8.0	21.0	13.0	3.6	500	Yellow	
	5	DSNY6-5	5.3	10.0	22.0					
	6	DSNY6-6	6.5	11.0	23.0					
	8	DSNY6-8	8.4	14.0	26.0					
	10	DSNY6-10	10.5	18.0	28.0					

Vinyl Insulated with Brazed Seam



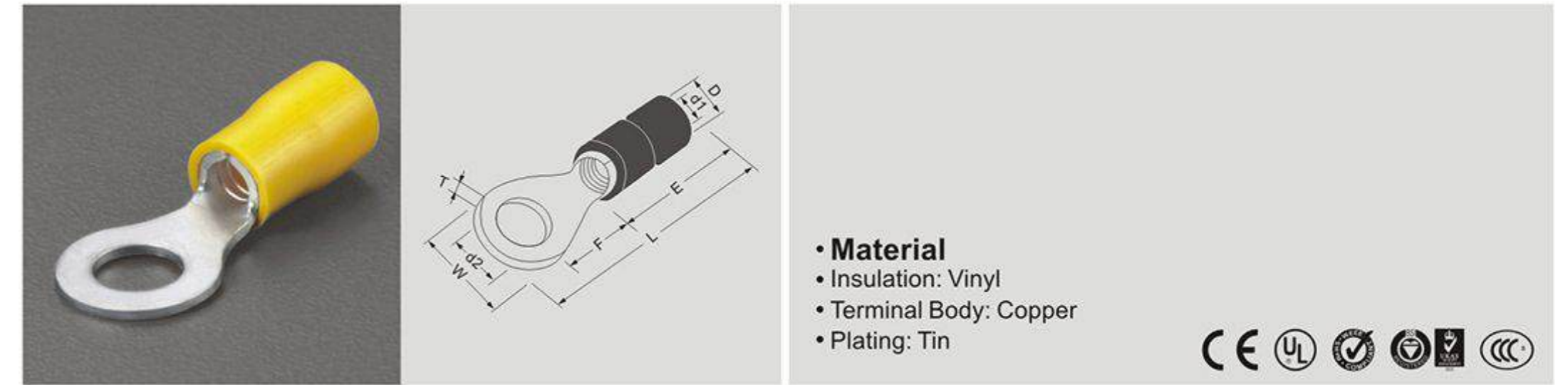
- **Material**
- Insulation: Vinyl
- Terminal Body: Copper
- Plating: Tin



RING TERMINALS DIN 46237

WIRE RANGE mm ² (A.W.G.)	STUD SIZE Metric (mm)	ITEM NO .	DIMENSION mm(inch)					PCS/PACK	COLOR
			d2	W	L	E	d1		
0.5-1.5	2	DRV1-2	2.2	6.0	16.0	10.0	1.6	1000	Red
	2.5	DRV1-2.5	2.7						
	3	DRV1-3	3.2						
	3.5	DRV1-3.5	3.7	7.0	16.5				
	4	DRV1-4S	4.3						
	4	DRV1-4	4.3	8.0	17.0				
	5	DRV1-5S	5.3	8.0	17.5				
	5	DRV1-5	5.3	10.0	18.0				
	6	DRV1-6	6.5	10.0	22.0				
	6	DRV1-6L	6.5	11.0					
	8	DRV1-8	8.4	14.0	22.0				
	10	DRV1-10	10.5	14.0					
10	DRV1-10L	10.5	18.0	24.0					
1.5-2.5	3	DRV2.5-3	3.2	6.0	16.0	10.0	2.3	1000	Blue
	3.5	DRV2.5-3.5	3.7						
	4	DRV2.5-4S	4.3	6.8	16.6				
	4	DRV2.5-4	4.3	8.0	17.0				
	5	DRV2.5-5S	5.3		18.5				
	5	DRV2.5-5	5.3	10.0	19.0				
	6	DRV2.5-6	6.5	11.0	21.0				
	8	DRV2.5-8	8.4	14.0	22.0				
10	DRV2.5-10	10.5	10.5						

Vinyl Insulated with Brazed Seam



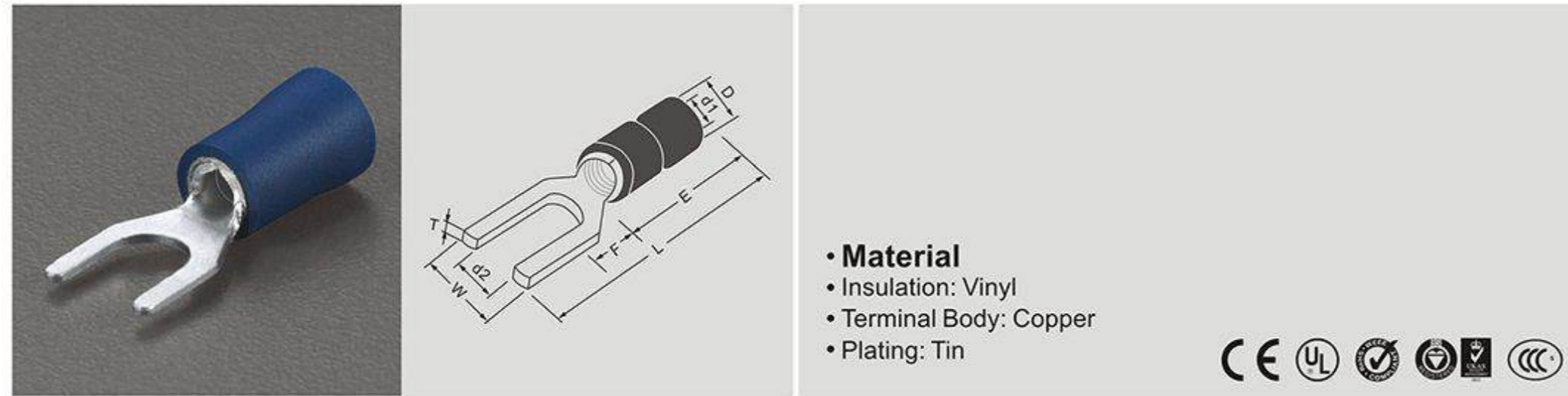
- **Material**
- Insulation: Vinyl
- Terminal Body: Copper
- Plating: Tin



RING TERMINALS DIN 46237

WIRE RANGE mm ² (A.W.G.)	STUD SIZE Metric (mm)	ITEM NO .	DIMENSION mm(inch)					PCS/PACK	COLOR
			d2	W	L	E	d1		
1.5-2.5	10	DRV2.5-10L	10.5	18.0	23.5	10.0	2.3	500	Blue
	12	DRV2.5-12	13.0		25.0				
2.5-6	4	DRV6-4	4.3	8.0	21.0	13.0	3.6	500	Yellow
	5	DRV6-5	5.3	10.0	22.0				
	6	DRV6-6	6.5	11.0	22.5				
	8	DRV6-8	8.4	14.0	26.0				
	10	DRV6-10	10.5	18.0	28.0				
	12	DRV6-12	13.0						

Vinyl Insulated with Brazed Seam



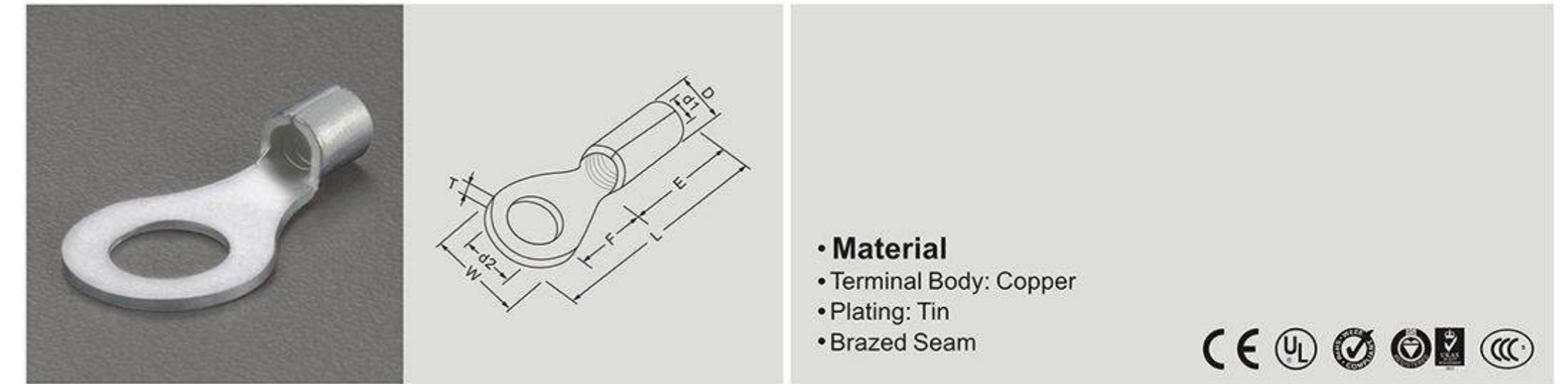
- **Material**
- Insulation: Vinyl
- Terminal Body: Copper
- Plating: Tin



SPADE TERMINALS DIN 46237

WIRE RANGE mm ² (A.W.G.)	STUD SIZE Metric (mm)	ITEM NO .	DIMENSION mm(inch)					PCS/PACK	COLOR
			d2	W	L	E	d1		
0.5-1.5	3	DSV1-3	3.2	6.0	16.0	10.0	1.6	1000	Red
	3.5	DSV1-3.5	3.7						
	4	DSV1-4	4.3	17.0					
	4	DSV1-4L	4.3		8.0				
	5	DSV1-5	5.3	10.0	18.0				
	6	DSV1-6	6.5	11.0	20.0				
1.5-2.5	3	DSV2.5-3	3.2	5.5	18.0	10.0	2.3	1000	Blue
	3.5	DSV2.5-3.5	3.7	6.0	16.0				
	4	DSV2.5-4	4.3	6.8	17.0				
	4	DSV2.5-4L	4.3	8.0	17.0				
	5	DSV2.5-5	5.3	10.0	19.0				
	6	DSV2.5-6	6.5	11.0	21.0				
2.5-6	4	DSV6-4	4.3	8.0	21.0	13.0	3.6	500	Yellow
	5	DSV6-5	5.3	10.0	22.0				
	6	DSV6-6	6.5	11.0	23.0				
	8	DSV6-8	8.4	14.0	26.0				
	10	DSV6-10	10.5	18.0	28.0				

Non-Insulated with Brazed Seam



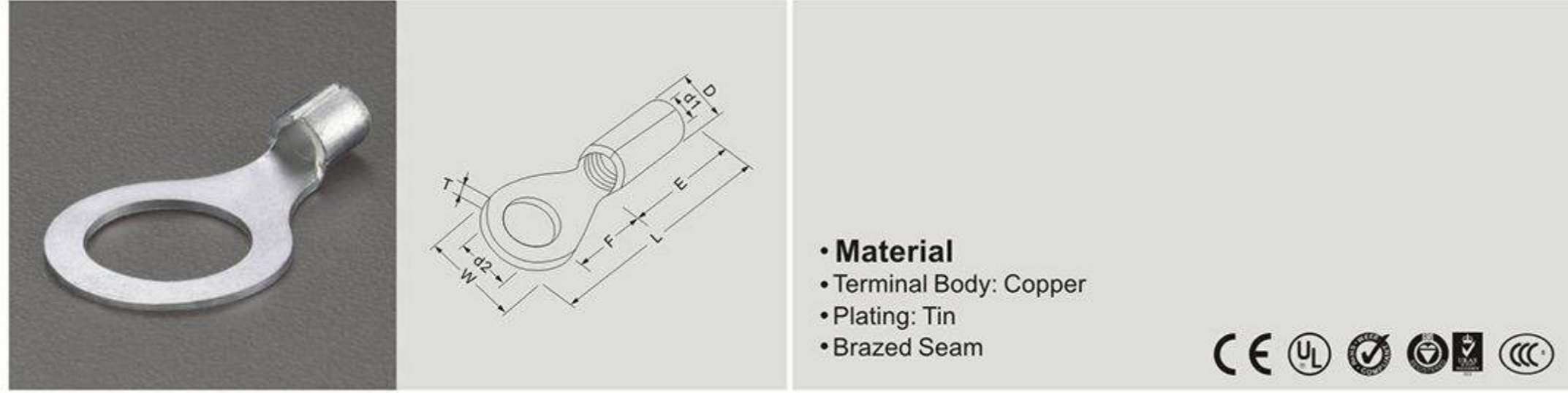
- **Material**
- Terminal Body: Copper
- Plating: Tin
- Brazed Seam



RING TERMINALS DIN 46234

WIRE RANGE mm ² (A.W.G.)	STUD SIZE Metric (mm)	ITEM NO .	DIMENSION mm(inch)					PCS/PACK
			d2	W	L	E	d1	
0.2-0.5	2	DRNB0.5-2	2.2	5.0	10.0	4.0	1.0	1000
	2.5	DRNB0.5-2.5	2.7					
	3	DRNB0.5-3	3.2					
	3.5	DRNB0.5-3.5	3.7	6.0	12.0			
	4	DRNB0.5-4	4.3	6.5	12.0			
	5	DRNB0.5-5	5.3	8.0	12.0			
0.5-1.5	2	DRNB1-2	2.2	6.0	11.0	5.0	1.6	1000
	2.5	DRNB1-2.5	2.7					
	3	DRNB1-3	3.2					
	3.5	DRNB1-3.5	3.7	7.0	11.5			
	4	DRNB1-4S	4.3					
	4	DRNB1-4	4.3	8.0	12.0			
	5	DRNB1-5S	5.3	8.0	12.5			
	5	DRNB1-5	5.3	10.0	13.0			
	6	DRNB1-6	6.5	10.0				
	6	DRNB1-6L	6.5	11.0	15.0			
	8	DRNB1-8	8.4	14.0	17.0			
10	DRNB1-10	10.5	14.0					
10	DRNB1-10L	10.5	18.0	19.0				
1.5-2.5	3	DRNB2.5-3	3.2	6.0	11.0	5.0	2.3	1000
	3.5	DRNB2.5-3.5	3.7					
	4	DRNB2.5-4S	4.3					

Non-Insulated with Brazed Seam



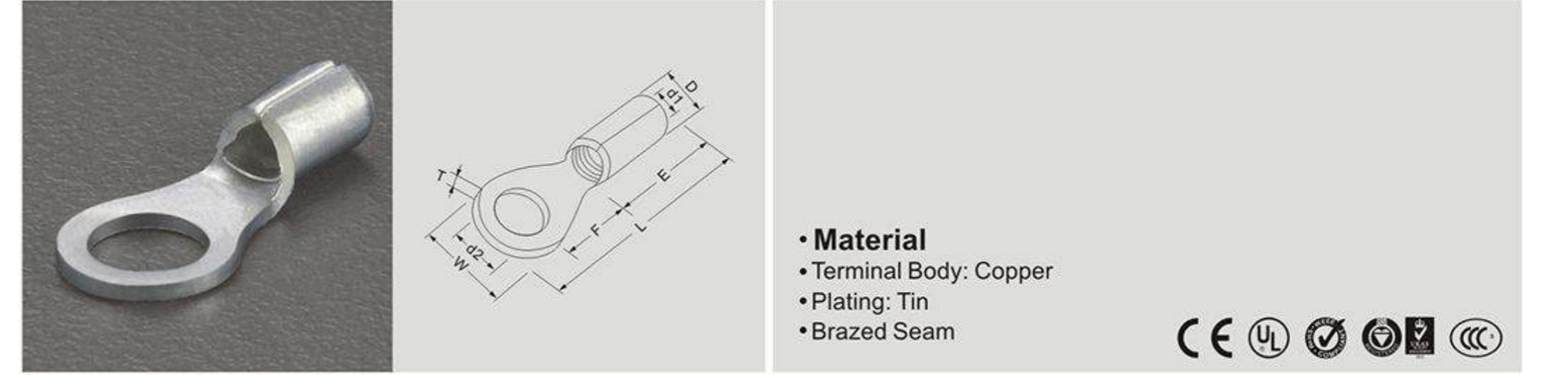
- **Material**
- Terminal Body: Copper
- Plating: Tin
- Brazed Seam



RING TERMINALS DIN 46234

WIRE RANGE mm ² (A.W.G.)	STUD SIZE Metric (mm)	ITEM NO .	DIMENSION mm(inch)					PCS/PACK
			d2	W	L	E	d1	
1.5-2.5	4	DRNB2.5-4	4.3	8.0	12.0	5.0	2.3	1000
	5	DRNB2.5-5S	5.3		13.5			
	5	DRNB2.5-5	5.3	10.0	14.0			
	6	DRNB2.5-6	6.5	11.0	16.0			
	8	DRNB2.5-8	8.4	14.0	17.0			
	10	DRNB2.5-10	10.5	15.0				
	10	DRNB2.5-10L	10.5	18.0	18.5			
12	DRNB2.5-12	13.0	20.0					
2.5-6	4	DRNB6-4	4.3	8.0	14.0	6.0	3.6	1000
	5	DRNB6-5	5.3	10.0	15.0			
	6	DRNB6-6	6.5	11.0	16.0			
	8	DRNB6-8	8.4	14.0	19.0			
	10	DRNB6-10	10.5	18.0	21.0			
	12	DRNB6-12	13.0		21.0			
10	5	DRNB10-5	5.3	10.0	16.0	8.0	4.5	500
	6	DRNB10-6	6.5	11.0	17.0			
	8	DRNB10-8	8.4	14.0	20.0			
	10	DRNB10-10	10.5	18.0	21.0			
	12	DRNB10-12	13.0	22.0	23.0			
16	5	DRNB16-5	5.3	11.0	20.0	10.0	5.8	500
	6	DRNB16-6	6.5					
	8	DRNB16-8	8.4					

Non-Insulated with Brazed Seam



- **Material**
- Terminal Body: Copper
- Plating: Tin
- Brazed Seam



RING TERMINALS DIN 46234

WIRE RANGE mm ² (A.W.G.)	STUD SIZE Metric (mm)	ITEM NO .	DIMENSION mm(inch)					PCS/PACK
			d2	W	L	E	d1	
16	10	DRNB16-10	10.5	18.0	24.0	10.0	5.8	500
	12	DRNB16-12	13.0	22.0	26.0			400
25	5	DRNB25-5	5.3	12.0	25.0	11.0	7.5	250
	6	DRNB25-6	6.5					
	8	DRNB25-8	8.4	16.0				
	10	DRNB25-10	10.5	18.0	26.0			
	12	DRNB25-12	13.0	22.0	31.0			
	16	DRNB25-16	17.0	28.0	35.0			
	20	DRNB25-20	21.0	34.0	40.0			200
35	6	DRNB35-6	6.5	15.0	26.0	12.0	9.0	250
	8	DRNB35-8	8.4	16.0				
	10	DRNB35-10	10.5	18.0	27.0			
	12	DRNB35-12	13.0	22.0	31.0			
	16	DRNB35-16	17.0	28.0	36.0			100
50	6	DRNB50-6	6.5	18.0	34.0	16.0	11.0	100
	8	DRNB50-8	8.4					
	10	DRNB50-10	10.5	22.0	36.0			
	12	DRNB50-12	13.0	28.0	40.0			
70	6	DRNB70-6	6.5	22.0	38.0	18.0	13.0	100
	8	DRNB70-8	8.4					
	10	DRNB70-10	10.5	22.0	22.0			
	12	DRNB70-12	13.0		28.0			



Connectors

Accurate,
Innovative,
Reliable and
Intelligent
Connection



Heat Shrink Insulated	HT
FULLY INSULATED MALE QUICK DISCONNECTS	83
FULLY INSULATED FEMALE QUICK DISCONNECTS	83
MALE QUICK DISCONNECTS	84
FEMALE QUICK DISCONNECTS	84
BULLET - MALE QUICK DISCONNECTS	85
BULLET - FEMALE QUICK DISCONNECTS	85
PIGGY BACK QUICK DISCONNECTS	86


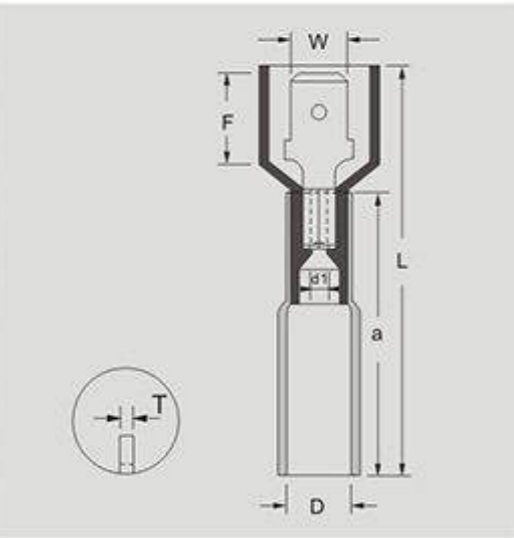
Nylon Insulated - Double Crimp	NYD
MALE QUICK DISCONNECTS	87
FEMALE QUICK DISCONNECTS	88
BULLET - MALE QUICK DISCONNECTS	89
BULLET - FEMALE QUICK DISCONNECTS	89

Vinyl Insulated - Double Crimp	D
MALE QUICK DISCONNECTS	90
FEMALE QUICK DISCONNECTS	91-92
FULLY INSULATED FEMALE QUICK DISCONNECTS	93
BULLET - MALE QUICK DISCONNECTS	94
BULLET - FEMALE QUICK DISCONNECTS	94
PIGGY BACK QUICK DISCONNECTS	95


Nylon Insulated - Single Crimp	NY
MALE QUICK DISCONNECTS	96
FEMALE QUICK DISCONNECTS	97-98
FULLY INSULATED FEMALE QUICK DISCONNECTS	99
FULLY INSULATED MALE QUICK DISCONNECTS	99
BULLET - MALE QUICK DISCONNECTS	100
BULLET - FEMALE QUICK DISCONNECTS	100
PIGGY BACK QUICK DISCONNECTS	101
FLAG FEMALE QUICK DISCONNECTS NORMAL TYPE	102
FLAG FEMALE QUICK DISCONNECTS NON-INSULATED	102

Vinyl Insulated - Single Crimp	V
MALE QUICK DISCONNECTS	103
FEMALE QUICK DISCONNECTS	104-105
FULLY INSULATED FEMALE QUICK DISCONNECTS	106
BULLET - MALE QUICK DISCONNECTS	107
BULLET - FEMALE QUICK DISCONNECTS	107
PIGGY BACK QUICK DISCONNECTS	108

HT
NYD
D
NY
V


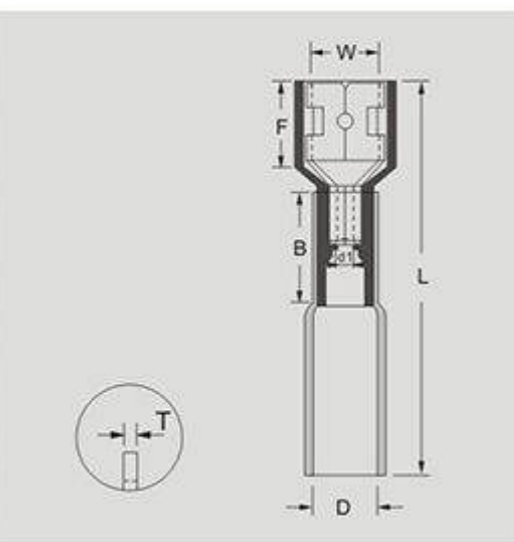



- Material**
 - Insulation: Heat Shrink Tube
 - Terminal Body: Brass, Nylon
 - Plating: Tin
- Character:**
 - Waterproof / Sealed
 - Easy Entry




FULLY INSULATED MALE QUICK DISCONNECTS

WIRE RANGE mm ² (A.W.G.)	NEMA TAB Thickness × Width	ITEM NO .	DIMENSION mm(inch)					PCS/PACK	COLOR
			W	H	L	d1	T		
0.5-1.5 (22-16)	0.8×6.35 .032×.250	MDFNYHT1-250	6.35	0.5	37.0	1.7	0.4	500	Red
1.5-2.5 (16-14)	0.8×6.35 .032×.250	MDFNYHT2-250	6.35	0.5	37.0	2.3	0.4	500	Blue
4-6 (12-10)	0.8×6.35 .032×.250	MDFNYHT5-250	6.35	0.5	42.0	3.4	0.4	300	Yellow


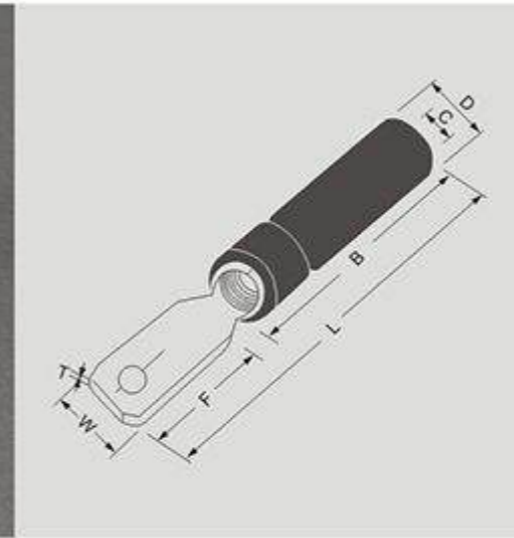



- Material**
 - Insulation: Heat Shrink Tube
 - Terminal Body: Brass, Nylon
 - Plating: Tin
- Character:**
 - Waterproof / Sealed
 - Easy Entry




FULLY INSULATED FEMALE QUICK DISCONNECTS

WIRE RANGE mm ² (A.W.G.)	NEMA TAB Thickness × Width	ITEM NO .	DIMENSION mm(inch)					PCS/PACK	COLOR
			W	L	B	d1	T		
0.5-1.5 (22-16)	0.8×6.35 .032×.250	FDFNYHT1-250	6.6	35	25.0	1.7	0.4	500	Red
1.5-2.5 (16-14)	0.8×6.35 .032×.250	FDFNYHT2-250	6.6	35	25.0	2.3	0.4	500	Blue
4-6 (12-10)	0.8×6.35 .032×.250	FDFNYHT5-250	6.6	39	30.0	3.4	0.4	300	Yellow


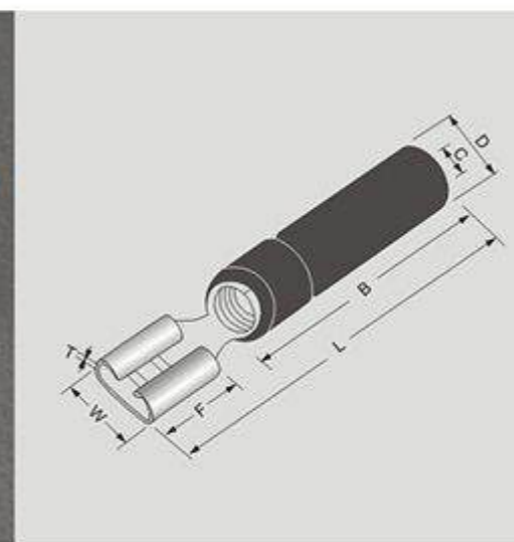



- Material**
 - Insulation: Heat Shrink Tube
 - Terminal Body: Brass
 - Metallic Sleeve: Copper
 - Plating: Tin
- Character:**
 - Waterproof / Sealed
 - Easy Entry




MALE QUICK DISCONNECTS

WIRE RANGE mm ² (A.W.G.)	NEMA TAB Thickness × Width	ITEM NO .	DIMENSION mm(inch)					PCS/PACK	COLOR
			W	L	B	C	T		
0.5-1.5 (22-16)	0.8×6.35 .032×.250	MDHTD1-250	6.35	35	25.0	1.7	0.4	500	Red
1.5-2.5 (16-14)	0.8×6.35 .032×.250	MDHTD2-250	6.35	35	25.0	2.3	0.4	500	Blue
4-6 (12-10)	0.8×6.35 .032×.250	MDHTD5-250	6.35	36	26.0	3.4	0.4	300	Yellow

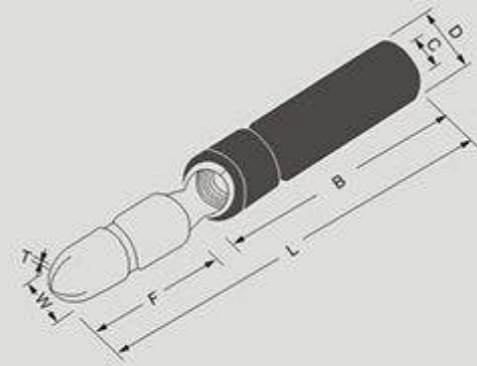
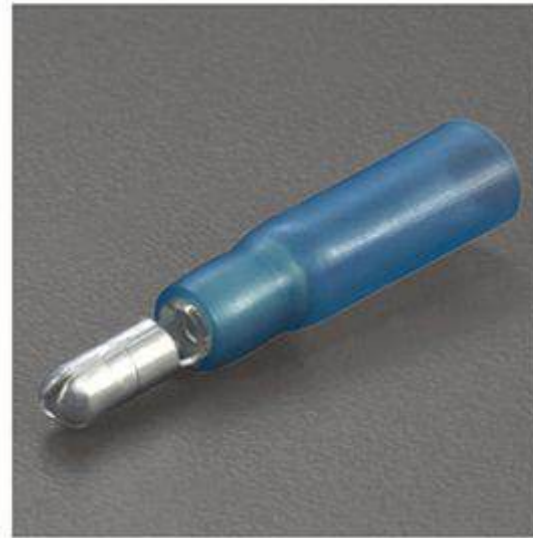



- Material**
 - Insulation: Heat Shrink Tube
 - Terminal Body: Brass
 - Metallic Sleeve: Copper
 - Plating: Tin
- Character:**
 - Waterproof / Sealed
 - Easy Entry



FEMALE QUICK DISCONNECTS

WIRE RANGE mm ² (A.W.G.)	NEMA TAB Thickness × Width	ITEM NO .	DIMENSION mm(inch)					PCS/PACK	COLOR
			W	L	B	C	T		
0.5-1.5 (22-16)	0.8×6.35 .032×.250	FDHTD1-250	6.5	33	25	1.7	0.4	500	Red
1.5-2.5 (16-14)	0.8×6.35 .032×.250	FDHTD2-250	6.5	33	25	2.3	0.4	500	Blue
4-6 (12-10)	0.8×6.35 .032×.250	FDHTD5-250	6.5	34	26	3.4	0.4	300	Yellow

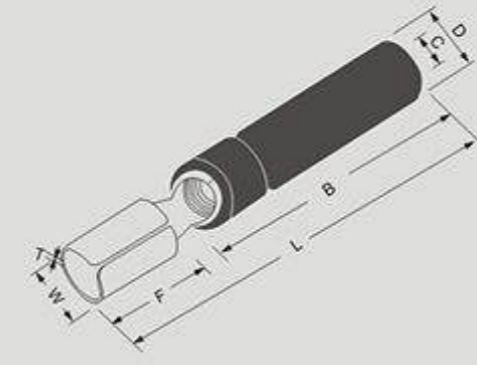


- **Material**
- Insulation: Heat Shrink Tube
- Terminal Body: Brass
- Metallic Sleeve: Copper
- Plating: Tin
- **Character:**
- Waterproof / Sealed
- Easy Entry



BULLET-MALE QUICK DISCONNECTS

WIRE RANGE mm ² (A.W.G.)	ITEM NO .	DIMENSION mm(inch)				PCS/PACK	COLOR
		W	L	B	C		
0.5-1.5 (22-16)	MPHTD1-156	4.0	36.0	25.0	1.7	500	Red
	MPHTD1-156L	4.0	38.0				
1.5-2.5 (16-14)	MPHTD2-156	4.0	36.0	25.0	2.3	500	Blue
	MPHTD2-156L	4.0	38.0				
	MPHTD2-195	5.0	37.5			300	
4-6(12-10)	MPHTD5-195	5.0	38.5	26.0	3.4	300	Yellow

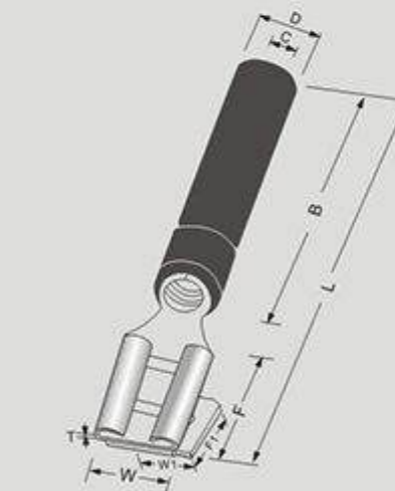


- **Material**
- Insulation: Heat Shrink Tube
- Terminal Body: Brass
- Metallic Sleeve: Copper
- Plating: Tin
- **Character:**
- Waterproof / Sealed
- Easy Entry



BULLET-FEMALE QUICK DISCONNECTS

WIRE RANGE mm ² (A.W.G.)	ITEM NO .	DIMENSION mm(inch)				PCS/PACK	COLOR
		W	L	B	C		
0.5-1.5(22-16)	FRHTD1-156	3.9	34.8	25.0	1.7	500	Red
1.5-2.5(16-14)	FRHTD2-156	3.9	34.8	25.0	2.3	500	Blue
	FRHTD2-195	4.9	36.5				
4-6(12-10)	FRHTD5-195	4.9	37.5	26.0	3.4	300	Yellow



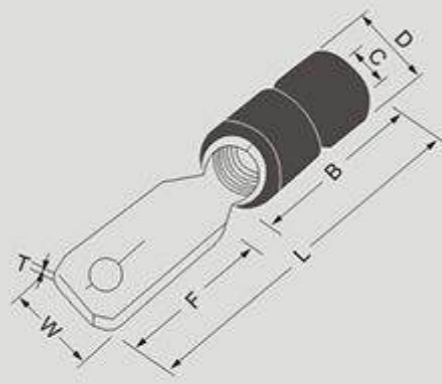
- **Material**
- Insulation: Heat Shrink Tube
- Terminal Body: Brass
- Metallic Sleeve: Copper
- Plating: Tin
- **Character:**
- Waterproof / Sealed
- Easy Entry



PIGGY BACK QUICK DISCONNECTS

WIRE RANGE mm ² (A.W.G.)	NEMA TAB Thickness × Width	ITEM NO .	DIMENSION mm(inch)						PCS/PACK	COLOR
			W	W1	L	B	C	T		
0.5-1.5 (22-16)	0.8×6.35 .032×.250	PBDHTD1-250	6.6(.260)	6.35(.250)	36	25	1.7(.067)	0.4(.016)	500	Red
1.5-2.5 (16-14)	0.8×6.35 .032×.250	PBDHTD2-250	6.6(.260)	6.35(.250)	36	25	2.3(.091)	0.4(.016)	500	Blue
4-6 (12-10)	0.8×6.35 .032×.250	PBDHTD5-250	6.6(.260)	6.35(.250)	37	26	3.4(.134)	0.4(.016)	300	Yellow

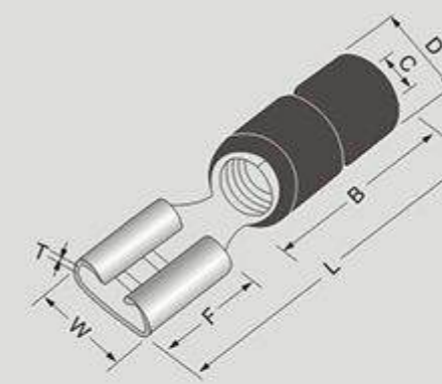
Nylon Insulated - Double Crimp



- **Material**
- Insulation: Nylon
- Terminal Body: Brass
- Metallic Sleeve: Copper
- Plating: Tin
- **Character:**
- Heat Resistance 105°C
- Easy Entry



Nylon Insulated - Double Crimp



- **Material**
- Insulation: Nylon
- Terminal Body: Brass
- Metallic Sleeve: Copper
- Plating: Tin
- **Character:**
- Heat Resistance 105°C
- Easy Entry



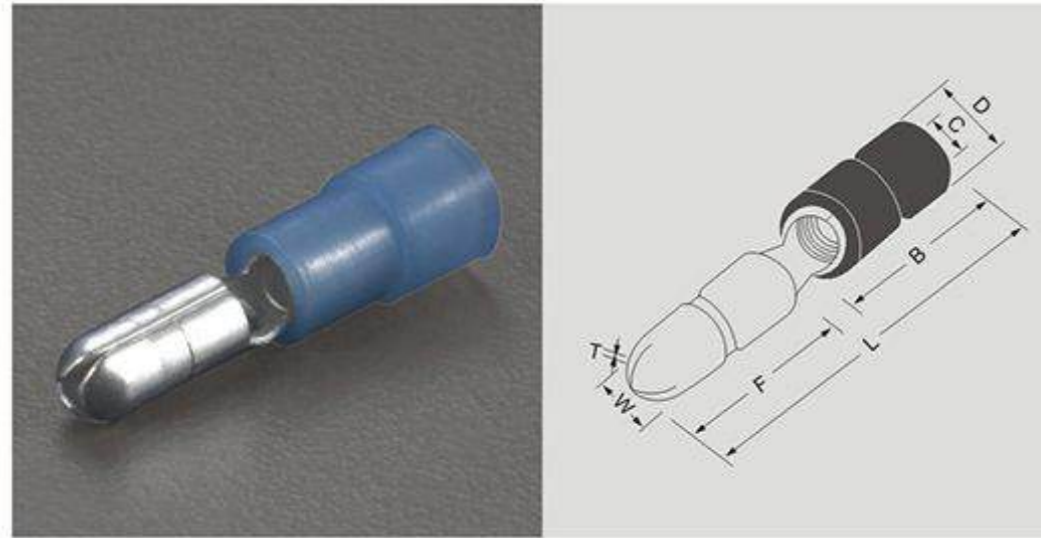
MALE QUICK DISCONNECTS

WIRE RANGE mm ² (A.W.G.)	NEMA TAB		ITEM NO.	DIMENSION mm(inch)					PCS/PACK	COLOR
	Thickness	Width		W	L	B	C	T		
0.5-1.5 (22-16)	0.5×2.8	.020×.110	MDNYD1-110(5)	2.8(.110)	19.5(.756)	11.0(.433)	1.7(.067)	0.5(.020)	1000	Red
	0.8×2.8	.032×.110	MDNYD1-110(8)					0.4(.016)		
	0.5×4.75	.020×.187	MDNYD1-187(5)	4.8(.189)	20.0(.780)			0.5(.020)		
	0.8×4.75	.032×.187	MDNYD1-187(8)					0.4(.016)		
	0.8×6.35	.032×.205	MDNYD1-250	6.35(.250)	22.0(.866)			0.4(.016)		
1.5-2.5 (16-14)	0.5×4.75	.020×.187	MDNYD2-187(5)	4.8(.189)	20.0(.787)	11.0(.433)	2.3(.091)	0.5(.020)	1000	Blue
	0.8×4.75	.032×.187	MDNYD2-187(8)					0.4(.016)		
	0.8×6.35	.032×.250	MDNYD2-250	6.35(.250)	22.0(.866)			0.4(.016)		
4-6 (12-10)	0.8×6.35	.032×.250	MDNYD5-250	6.35(.250)	24.0(.945)	13.0(.512)	3.4(.134)	0.4(.016)	500	Yellow

FEMALE QUICK DISCONNECTS

WIRE RANGE mm ² (A.W.G.)	NEMA TAB		ITEM NO.	DIMENSION mm(inch)				PCS/PACK	COLOR
	Thickness	Width		W	L	B	C		
0.5-1.5 (22-16)	0.5×2.8	.020×.110	FDNYD1-110(5)	3.2(.126)	19.6(.772)	11.0(.433)	1.7(.067)	1000	Red
	0.8×2.8	.032×.110	FDNYD1-110(8)						
	0.5×4.75	.020×.187	FDNYD1-187(5)	5.0(.197)	20.0(.787)				
	0.8×4.75	.032×.187	FDNYD1-187(8)						
	0.5×5.2	.020×.205	FDNYD1-205(5)	5.7(.224)	19.5(.768)				
	0.8×5.2	.032×.205	FDNYD1-205(8)						
	0.8×6.35	.032×.250	FDNYD1-250	6.6(.260)	21.5(.846)				
	0.8×8.0	.032×.312	FDNYD1-312	8.2(.323)	25.2(.992)				
1.5-2.5 (16-14)	0.5×2.8	.020×.110	FDNYD2-110(5)	3.2(.126)	19.6(.772)	11.0(.433)	2.3(.091)	1000	Blue
	0.8×2.8	.032×.110	FDNYD2-110(8)						
	0.5×4.75	.020×.187	FDNYD2-187(5)	5.0(.197)	20.0(.787)				
	0.8×4.75	.032×.187	FDNYD2-187(8)						
	0.5×5.2	.020×.205	FDNYD2-205(5)	5.7(.224)	19.5(.768)				
	0.8×5.2	.020×.205	FDNYD2-205(8)						
	0.8×6.35	.032×.250	FDNYD2-250	6.6(.260)	21.5(.846)				
	0.8×8.0	.032×.312	FDNYD2-312	8.2(.323)	25.2(.992)				
4-6 (12-10)	0.5×2.8	.020×.110	FDNYD5-110(5)	3.2(.126)	22.0(.866)	13.0(.512)	3.4(.134)	500	Yellow
	0.8×2.8	.032×.110	FDNYD5-110(8)						
	0.5×4.75	.020×.187	FDNYD5-187(5)	5.0(.197)	22.0(.866)				
	0.8×4.75	.032×.187	FDNYD5-187(8)						
	0.8×6.35	.032×.250	FDNYD5-250	6.6(.260)	23.5(.925)				
	1.2×9.4	.047×.375	FDNYD5-375	10.0(.394)	28.5(1.122)				

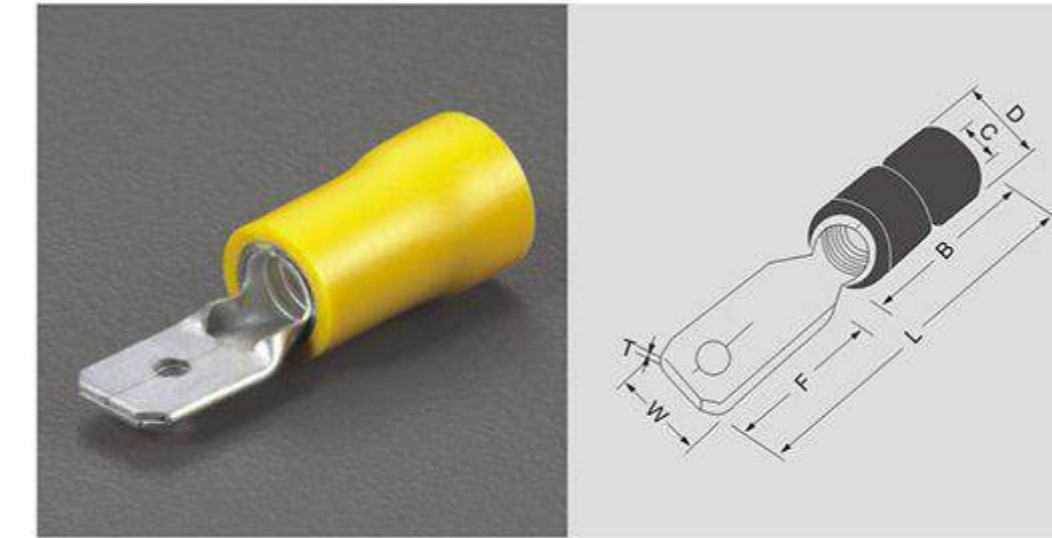
Nylon Insulated - Double Crimp



- Material**
 - Insulation: Nylon
 - Terminal Body: Brass
 - Metallic Sleeve: Copper
 - Plating: Tin
- Character:**
 - Heat Resistance 105°C
 - Easy Entry

CE UL

Vinyl Insulated - Double Crimp

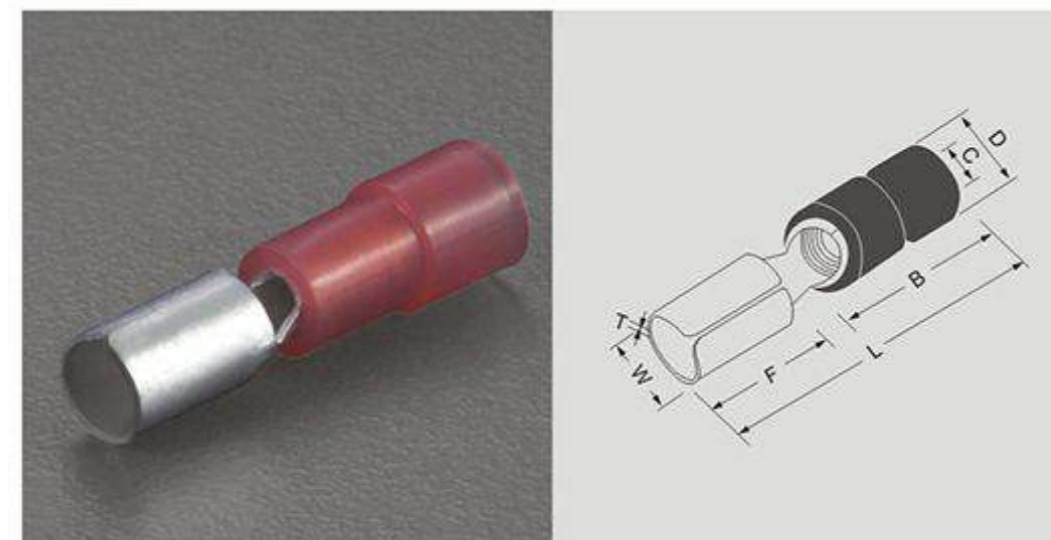


- Material**
 - Insulation: Vinyl
 - Terminal Body: Brass
 - Metallic Sleeve: Copper
 - Plating: Tin
- Character:**
 - Heat Resistance 105°C
 - Easy Entry

CE UL

BULLET - MALE QUICK DISCONNECTS

WIRE RANGE mm ² (A.W.G.)	ITEM NO.	DIMENSION mm(inch)				PCS/PACK	COLOR
		W	L	B	C		
0.5-1.5 (22-16)	MPNYD1-156	4.0	21.7	10.7	1.7(.067)	1000	Red
	MPNYD1-156L	4.0	23.7				
1.5-2.5 (16-14)	MPNYD2-156	4.0	21.7	10.7	2.3(.091)	1000	Blue
	MPNYD2-156L	4.0	23.7				
	MPNYD2-195	5.0	23.2				
4-6(12-10)	MPNYD5-195	5.0	25.2	12.7	3.4(.134)	500	Yellow



- Material**
 - Insulation: Nylon
 - Terminal Body: Brass
 - Metallic Sleeve: Copper
 - Plating: Tin
- Character:**
 - Heat Resistance 105°C
 - Easy Entry


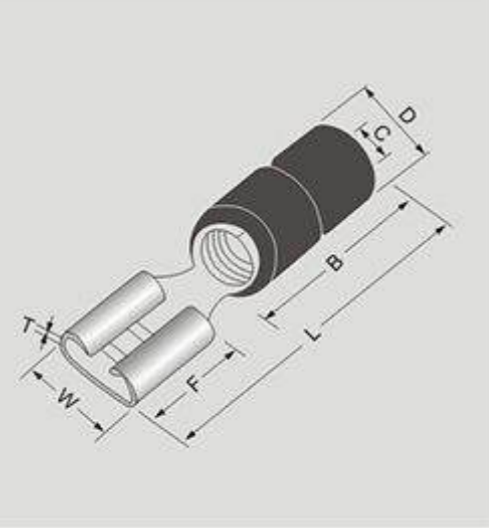
CE UL

BULLET - FEMALE QUICK DISCONNECTS


WIRE RANGE mm ² (A.W.G.)	ITEM NO.	DIMENSION mm(inch)				PCS/PACK	COLOR
		W	L	B	C		
0.5-1.5(22-16)	FRNYD1-156	3.9	20.5	10.7	1.7(.067)	1000	Red
1.5-2.5(16-14)	FRNYD2-156	3.9	20.5	10.7	2.3(.091)	1000	Blue
	FRNYD2-195	4.9	22.2				
4-6(12-10)	FRNYD5-195	4.9	24.2	12.7	3.4(.134)	500	Yellow

MALE QUICK DISCONNECTS

WIRE RANGE mm ² (A.W.G.)	NEMA TAB Thickness × Width	ITEM NO.	DIMENSION mm(inch)					PCS/PACK	COLOR
			W	L	B	C	T		
0.5-1.5 (22-16)	0.5×2.8 .020×.110	MDD1-110(5)	2.8(.110)	19.2(.756)	10.5(.413)	1.7	1000	Red	
	0.8×2.8 .032×.110	MDD1-110(8)							
	0.5×4.75 .020×.187	MDD1-187(5)							
	0.8×4.75 .032×.187	MDD1-187(8)							
	0.8×6.35 .032×.250	MDD1-250							
1.5-2.5 (16-14)	0.5×4.75 .020×.187	MDD2-187(5)	4.8(.189)	19.8(.780)	10.5(.413)	2.3	1000	Blue	
	0.8×4.75 .032×.187	MDD2-187(8)							
	0.8×6.35 .032×.250	MDD2-250							
4-6 (12-10)	0.8×6.35 .032×.250	MDD5-250	6.35(.250)	24.0(.945)	13.0(.512)	3.4	500	Yellow	

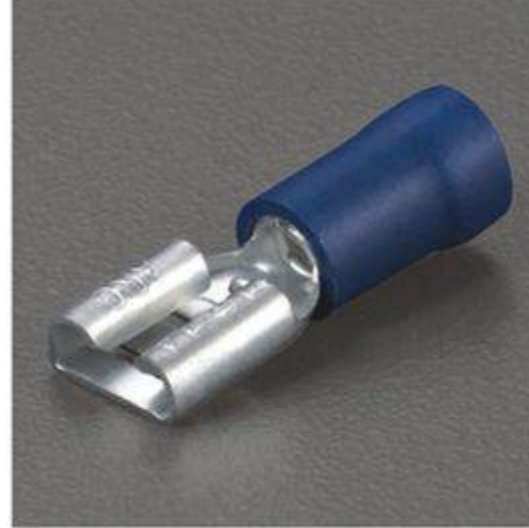
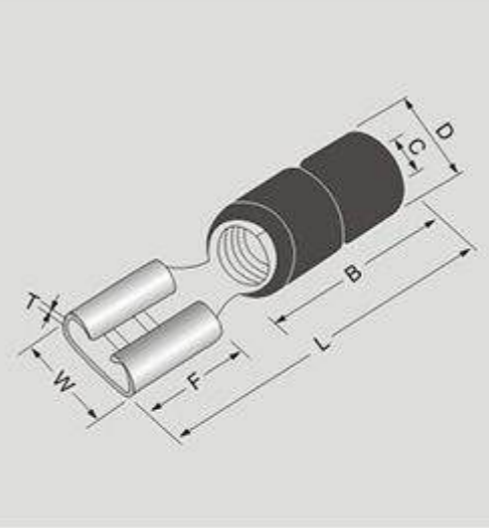



- Material**
 - Insulation: Vinyl
 - Terminal Body: Brass
 - Metallic Sleeve: Copper
 - Plating: Tin
- Character:**
 - Easy Entry




FEMALE QUICK DISCONNECTS

WIRE RANGE mm ² (A.W.G.)	NEMA TAB Thickness × Width	ITEM NO .	DIMENSION mm(inch)				PCS/PACK	COLOR
			W	L	B	C		
0.5-1.5 (22-16)	0.5×2.8 .020×.110	FDD1-110(5)	3.2(.126)	19.0(.748)	10.5(.413)	1.7(.067)	1000	Red
	0.8×2.8 .032×.110	FDD1-110(8)	3.2(.126)					
	0.5×4.75 .020×.187	FDD1-187(5)	5.0(.197)	19.4(.764)				
	0.8×4.75 .032×.187	FDD1-187(8)	5.0(.197)					
	0.5×5.2 .020×.205	FDD1-205(5)	5.7(.224)	19.3(.760)				
	0.8×5.2 .032×.205	FDD1-205(8)	5.7(.224)					
	0.8×6.35 .032×.250	FDD1-250	6.6(.260)	20.8(.819)				
	0.8×8.0 .032×.312	FDD1-312	8.2(.323)	24.5(.965)				


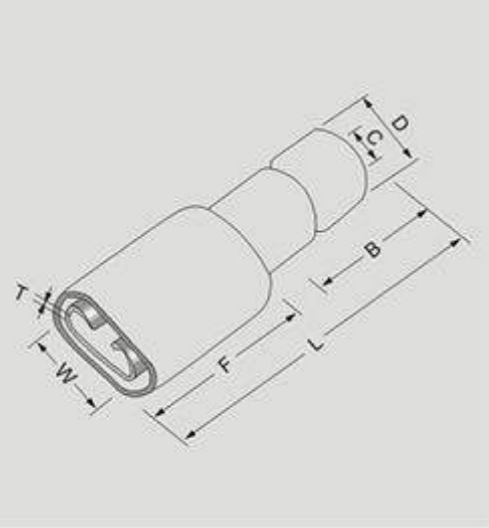
- Material**
 - Insulation: Vinyl
 - Terminal Body: Brass
 - Metallic Sleeve: Copper
 - Plating: Tin
- Character:**
 - Easy Entry




FEMALE QUICK DISCONNECTS

WIRE RANGE mm ² (A.W.G.)	NEMA TAB Thickness × Width	ITEM NO .	DIMENSION mm(inch)				PCS/PACK	COLOR
			W	L	B	C		
1.5-2.5 (16-14)	0.5×2.8 .020×.110	FDD2-110(5)	3.2(.126)	19.0(.748)	10.5(.413)	2.3(.091)	1000	Blue
	0.8×2.8 .032×.110	FDD2-110(8)	3.2(.126)					
	0.5×4.75 .020×.187	FDD2-187(5)	5.0(.197)	19.4(.764)				
	0.8×4.75 .032×.187	FDD2-187(8)	5.0(.197)					
	0.5×5.2 .020×.205	FDD2-205(5)	5.7(.224)	19.3(.760)				
	0.8×5.2 .032×.205	FDD2-205(8)	5.7(.224)					
	0.8×6.35 .032×.250	FDD2-250	6.6(.260)	20.8(.819)				
	0.8×8.0 .032×.312	FDD2-312	8.2(.323)	24.5(.965)				
	1.2×9.4 .047×.375	FDD2-375	10.0(.394)	26.1(1.028)				
	4-6 (12-10)	0.5×2.8 .020×.110	FDD5-110(5)	3.2(.126)				
0.8×2.8 .032×.110		FDD5-110(8)	3.2(.126)					
0.5×4.75 .020×.187		FDD5-187(5)	5.0(.197)	22.0(.866)				
0.8×4.75 .032×.187		FDD5-187(8)	5.0(.197)					
0.8×6.35 .032×.250		FDD5-250	6.6(.260)	23.3(.917)				
0.8×8.0 .032×.312		FDD5-312	8.2(.323)	27.0(1.063)				
1.2×9.4 .047×.375		FDD5-375	10.0(.394)	28.6(1.126)				

Vinyl Insulated - Double Crimp


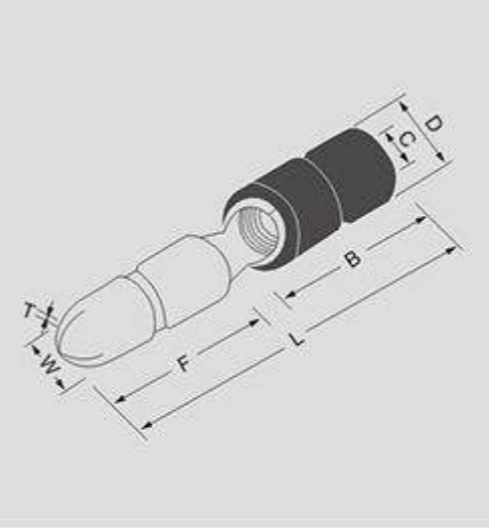
- Material**
 - Insulation: Vinyl
 - Terminal Body: Brass
 - Metallic Sleeve: Copper
 - Plating: Tin
- Character:**
 - Easy Entry




FULLY INSULATED FEMALE QUICK DISCONNECTS

WIRE RANGE mm ² (A.W.G.)	NEMA TAB Thickness × Width	ITEM NO .	DIMENSION mm(inch)				PCS/PACK	COLOR
			W	L	B	C		
0.5-1.5 (22-16)	0.5×2.8 .020×.110	FDFD1-110(5)	3.2(.126)	19.0(.748)	10.5(.413)	1.7(.067)	1000	Red
	0.8×2.8 .032×.110	FDFD1-110(8)						
	0.5×4.75 .020×.187	FDFD1-187(5)	5.0(.197)	20.5(.807)				
	0.8×4.75 .032×.187	FDFD1-187(8)						
	0.5×5.2 .020×.205	FDFD1-205(5)	5.7(.224)	20.2(.795)				
	0.8×5.2 .032×.205	FDFD1-205(8)						
	0.8×6.35 .032×.250	FDFD1-250	6.6(.260)	21.8(.858)				
1.5-2.5 (16-14)	0.5×2.8 .020×.110	FDFD2-110(5)	3.2(.126)	19.0(.748)	10.5(.413)	2.3(.091)	1000	Blue
	0.8×2.8 .032×.110	FDFD2-110(8)						
	0.5×4.75 .020×.187	FDFD2-187(5)	5.0(.197)	20.2(.796)				
	0.8×4.75 .032×.187	FDFD2-187(8)						
	0.5×5.2 .020×.205	FDFD2-205(5)	5.7(.224)	20.2(.795)				
	0.8×5.2 .032×.205	FDFD2-205(8)						
	0.8×6.35 .032×.250	FDFD2-250	6.6(.260)	22.2(.874)				
4-6 (12-10)	0.8×6.35 .032×.250	FDFD5-250	6.6(.260)	24.2(.953)	12.5(.492)	3.4(.134)	500	Yellow
	1.2×9.4 .047×.375	FDFD5-375	10.0(.394)	30.5(1.201)				

Vinyl Insulated - Double Crimp


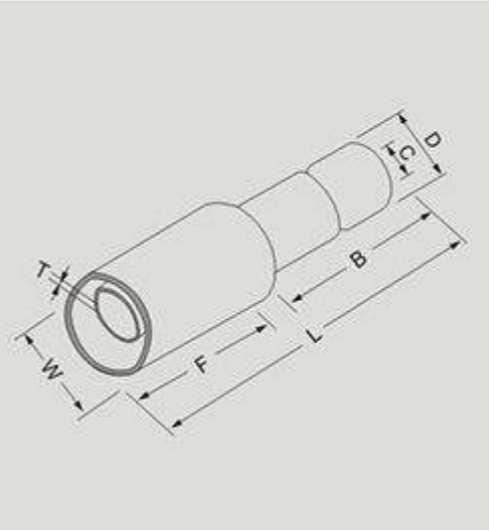



- Material**
 - Insulation: Vinyl
 - Terminal Body: Brass
 - Metallic Sleeve: Copper
 - Plating: Tin
- Character:**
 - Easy Entry




BULLET-MALE QUICK DISCONNECTS

WIRE RANGE mm ² (A.W.G.)	ITEM NO .	DIMENSION mm(inch)				PCS/PACK	COLOR
		W	L	B	C		
0.5-2.5(22-16)	MPD1-156	4.0(.157)	21.5(.846)	10.5(.413)	1.7(.067)	1000	Red
1.5-2.5(16-14)	MPD2-156	4.0(.157)	21.7(.854)	10.5(.413)	2.3(.091)	1000	Blue
	MPD2-195	5.0(.197)	21.2(.835)				
4-6(12-10)	MPD5-195	5.0(.197)	24.0(.945)	13.0(.512)	3.4(.134)	500	Yellow

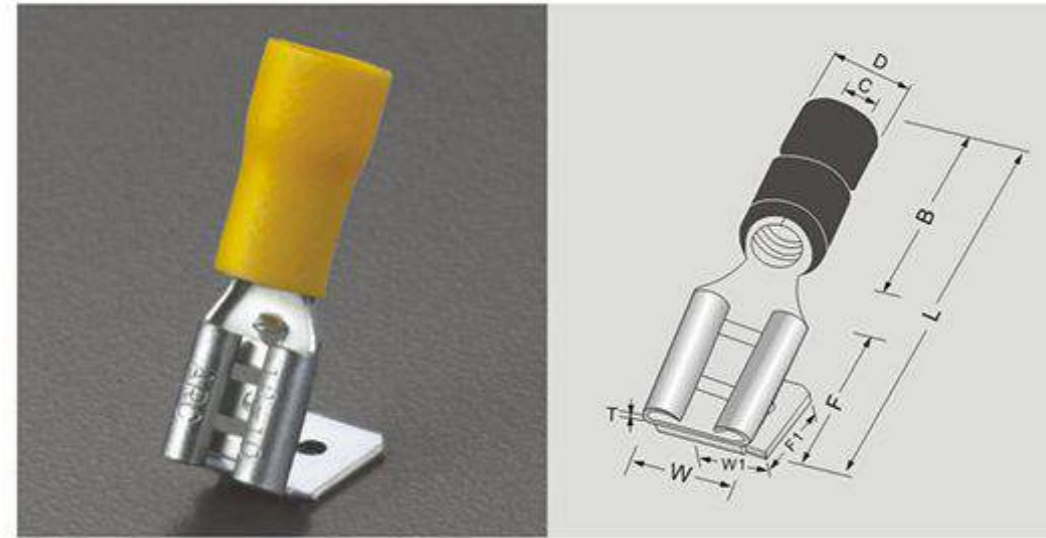
- Material**
 - Insulation: Vinyl
 - Terminal Body: Brass
 - Metallic Sleeve: Copper
 - Plating: Tin
- Character:**
 - Easy Entry




BULLET-FEMALE QUICK DISCONNECTS

WIRE RANGE mm ² (A.W.G.)	ITEM NO .	DIMENSION mm(inch)				PCS/PACK	COLOR
		W	L	B	C		
0.5-2.5(22-16)	FRD1-156	3.9(.153)	23.3(.917)	10.5(.413)	1.7(.067)	1000	Red
1.5-2.5(16-14)	FRD2-156	3.9(.153)	23.3(.917)	10.5(.413)	2.3(.091)	1000	Blue
	FRD2-195	4.9(.193)					
4-6(12-10)	FRD5-195	4.9(.193)	25.1(.988)	12.5(.492)	3.4(.134)	500	Yellow

Vinyl Insulated - Double Crimp



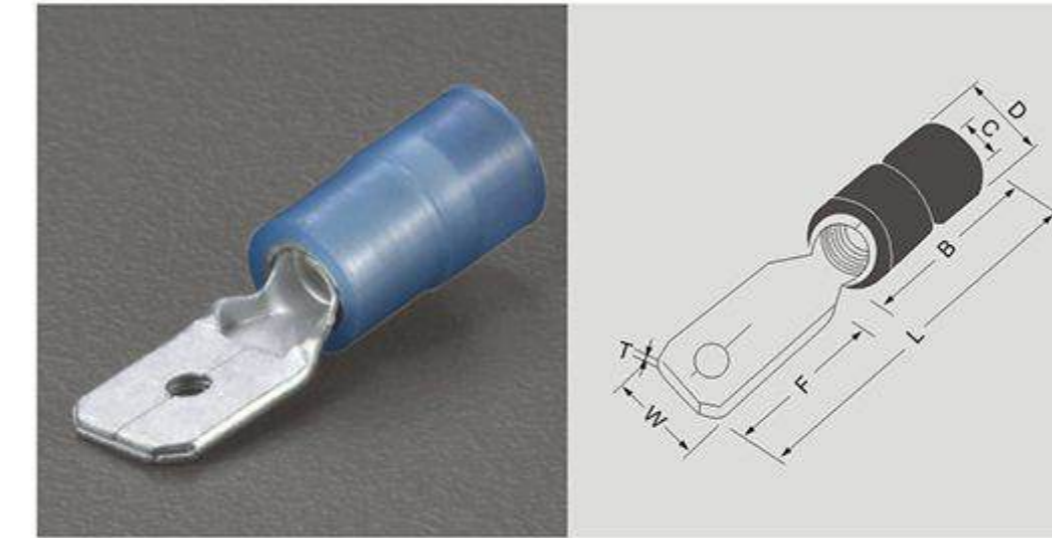
- Material**
 - Insulation: Vinyl
 - Terminal Body: Brass
 - Metallic Sleeve: Copper
 - Plating: Tin
- Character:**
 - Easy Entry




PIGGY BACK QUICK DISCONNECTS

WIRE RANGE mm ² (A.W.G.)	NEMA TAB Thickness × Width	ITEM NO .	DIMENSION mm(inch)						PCS/PACK	COLOR
			W	W1	L	B	C	T		
0.5-1.5 (22-16)	0.8×6.35 .032×.250	PBDD1-250	6.6(.260)	6.35(.250)	22.5(.886)	10.5(.413)	1.7(.067)	0.4(.016)	1000	Red
1.5-2.5 (16-14)	0.8×6.35 .032×.250	PBDD2-250	6.6(.260)	6.35(.250)	22.5(.886)	10.5(.413)	2.3(.091)	0.4(.016)	1000	Blue
4-6 (12-10)	0.8×6.35 .032×.250	PBDD5-250	6.6(.260)	6.35(.250)	24.0(.945)	13.0(.512)	3.4(.134)	0.4(.016)	500	Yellow

Nylon Insulated - Single Crimp



- Material**
 - Insulation: Nylon
 - Terminal Body: Brass
 - Plating: Tin
- Character:**
 - Heat Resistance 105°C
 - Easy Entry




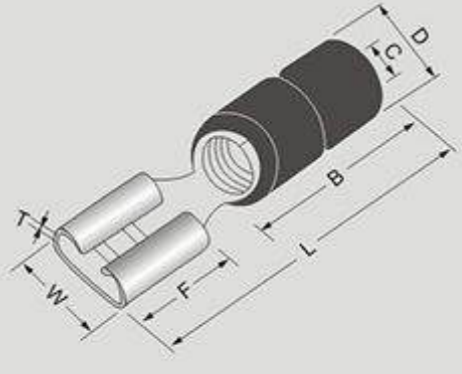
MALE QUICK DISCONNECTS

WIRE RANGE mm ² (A.W.G.)	NEMA TAB Thickness × Width	ITEM NO .	DIMENSION mm(inch)					PCS/PACK	COLOR
			W	L	B	C	T		
1.5-2.5 (22-16)	0.5×2.8 .020×.110	MDNY1-110(5)	2.8(.110)	19.4	10.5(.413)	1.7(.067)	0.5(.020)	1000	Red
	0.8×2.8 .032×.110	MDNY1-110(8)					0.4(.016)		
	0.5×4.75 .020×.187	MDNY1-187(5)	4.8(.189)	19.9			0.5(.020)		
	0.8×4.75 .032×.187	MDNY1-187(8)					0.4(.016)		
1.5-2.5 (16-14)	0.8×6.35 .020×.250	MDNY1-250	6.35(.250)	21.7	10.5(.413)	2.3(.091)	0.5(.020)	1000	Blue
	0.5×4.75 .020×.187	MDNY2-187(5)	4.8(.189)	19.9			0.4(.016)		
	0.8×4.75 .032×.187	MDNY2-187(8)							
4-6 (12-10)	0.8×6.35 .032×.250	MDNY2-250	6.35(.250)	21.7	13.0(.512)	3.4(.134)	0.4(.016)	500	Yellow
4-6 (12-10)	0.8×6.35 .032×.250	MDNY5-250	6.35(.250)	24					

Nylon Insulated - Single Crimp








- Material**
- Insulation: Nylon
- Terminal Body: Brass
- Plating: Tin

- Character:**
- Heat Resistance 105°C
- Easy Entry




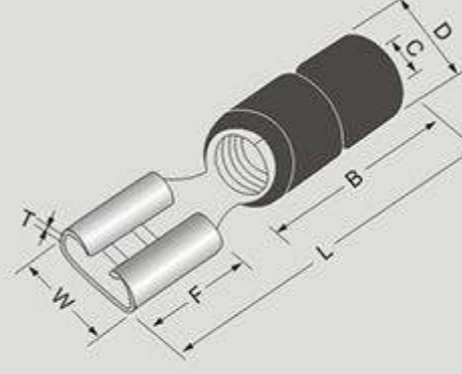
FEMALE QUICK DISCONNECTS

WIRE RANGE mm ² (A.W.G.)	NEMA TAB Thickness × Width	ITEM NO .	DIMENSION mm(inch)				PCS/PACK	COLOR
			W	L	B	C		
0.5-1.5 (22-16)	0.5×2.8 .020×.110	FDNY1-110(5)	3.2(.126)	19.0(.748)	10.5(.413)	1.7(.067)	1000	Red
	0.8×2.8 .032×.110	FDNY1-110(8)	3.2(.126)					
	0.5×4.75 .020×.187	FDNY1-187(5)	5.0(.197)	19.4(.764)				
	0.8×4.75 .032×.187	FDNY1-187(8)	5.0(.197)					
	0.5×5.2 .020×.205	FDNY1-205(5)	5.7(.224)	19.3(.760)				
	0.8×5.2 .032×.205	FDNY1-205(8)	5.7(.224)					
	0.8×6.35 .032×.250	FDNY1-250	6.6(.260)	20.8(.819)				
	0.8×8.0 .032×.312	FDNY1-312	8.2(.323)	24.5(.965)				

Nylon Insulated - Single Crimp








- Material**
- Insulation: Nylon
- Terminal Body: Brass
- Plating: Tin


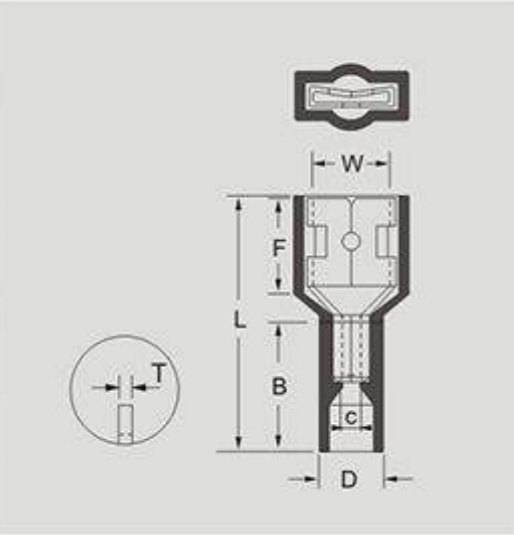
- Character:**
- Heat Resistance 105°C
- Easy Entry




FEMALE QUICK DISCONNECTS

WIRE RANGE mm ² (A.W.G.)	NEMA TAB Thickness × Width	ITEM NO .	DIMENSION mm(inch)				PCS/PACK	COLOR
			W	L	B	C		
1.5-2.5 (16-14)	0.5×2.8 .020×.110	FDNY2-110(5)	3.2(.126)	19.0(.748)	10.5(.413)	2.3(.091)	1000	Blue
	0.8×2.8 .032×.110	FDNY2-110(8)	3.2(.126)					
	0.5×4.75 .020×.187	FDNY2-187(5)	5.0(.197)	19.4(.764)				
	0.8×4.75 .032×.187	FDNY2-187(8)	5.0(.197)					
	0.5×5.2 .020×.205	FDNY2-205(5)	5.7(.224)	19.3(.760)				
	0.8×5.2 .032×.205	FDNY2-205(8)	5.7(.224)					
	0.8×6.35 .032×.250	FDNY2-250	6.6(.260)	20.8(.819)				
	0.8×8.0 .032×.312	FDNY2-312	8.2(.323)	24.5(.965)				
	1.2×9.4 .047×.375	FDNY2-375	10.0(.394)	26.1(1.028)				
	4-6 (12-10)	0.5×2.8 .020×.110	FDNY5-110(5)	3.2(.126)				
0.8×2.8 .032×.110		FDNY5-110(8)	3.2(.126)					
0.5×4.75 .020×.187		FDNY5-187(5)	5.0(.197)	22.0(.866)				
0.8×4.75 .032×.187		FDNY5-187(8)	5.0(.197)					
0.8×6.35 .032×.250		FDNY5-250	6.6(.260)	23.3(.917)				
0.8×8.0 .032×.312		FDNY5-312	8.2(.323)	27.0(1.063)				
1.2×9.4 .047×.375		FDNY5-375	10.0(.394)	28.6(1.126)				

Nylon Insulated - Single Crimp

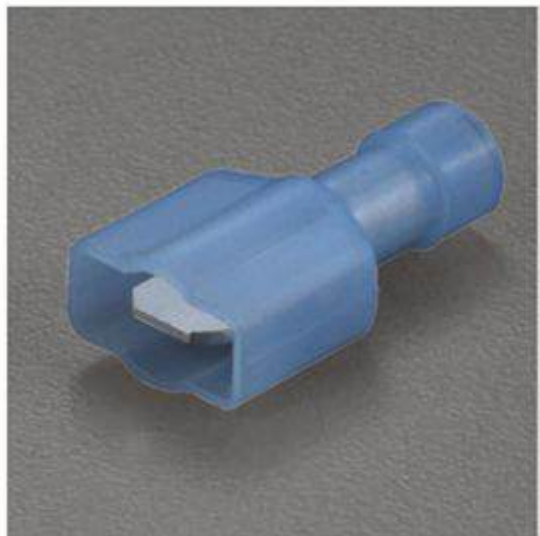
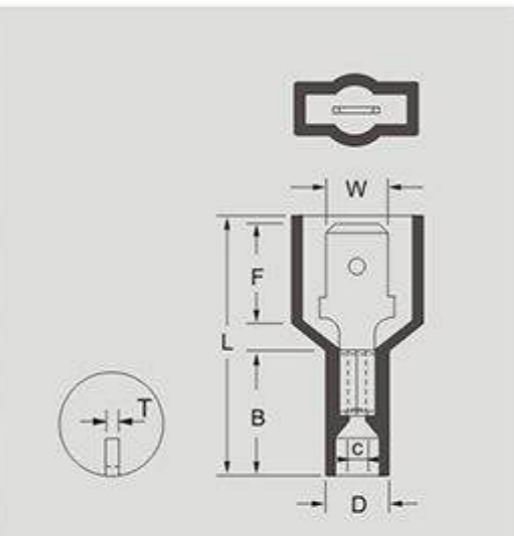



- Material**
 - Insulation: Nylon
 - Terminal Body: Brass
 - Plating: Tin
- Character:**
 - Heat Resistance 105°C
 - Easy Entry




FULLY INSULATED FEMALE QUICK DISCONNECTS

WIRE RANGE mm ² (A.W.G.)	NEMA TAB Thickness × Width	ITEM NO.	DIMENSION mm(inch)				PCS/PACK	COLOR
			W	L	B	C		
0.5-1.5 (22-16)	0.8×6.35 .032×.250	FDFNY1-250	6.6	21.8	10.8	1.7	1000	Red
1.5-2.5 (16-14)	0.8×6.35 .032×.250	FDFNY2-250	6.6	21.8	10.8	2.3	1000	Blue
4-6 (12-10)	0.8×6.35 .032×.250	FDFNY5-250	6.6	23.4	13.1	3.4	1000	Yellow


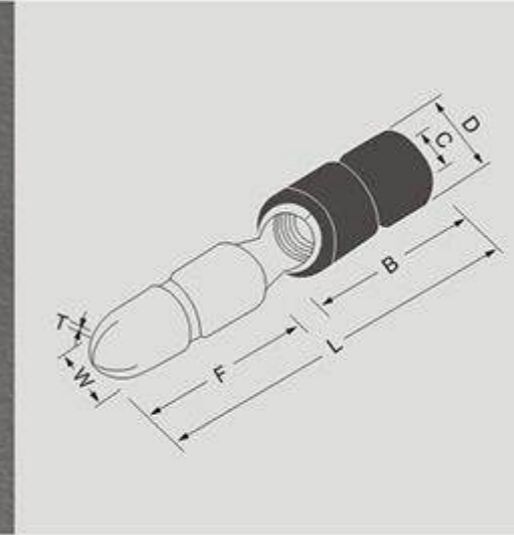
- Material**
 - Insulation: Nylon
 - Terminal Body: Brass
 - Plating: Tin
- Character:**
 - Heat Resistance 105°C
 - Easy Entry




FULLY INSULATED MALE QUICK DISCONNECTS

WIRE RANGE mm ² (A.W.G.)	NEMA TAB Thickness × Width	ITEM NO.	DIMENSION mm(inch)					PCS/PACK	COLOR
			W	L	B	C	T		
0.5-1.5 (22-16)	0.8×6.35 .032×.250	MDFNY1-250	6.35	23.4	10.9	1.7	0.8	500	Red
1.5-2.5 (16-14)	0.8×6.35 .032×.250	MDFNY2-250	6.35	23.4	10.9	2.3	0.8	500	Blue
4-6 (12-10)	0.8×6.35 .032×.250	MDFNY5-250	6.35	25.8	13.2	3.4	0.8	500	Yellow

Nylon Insulated - Single Crimp


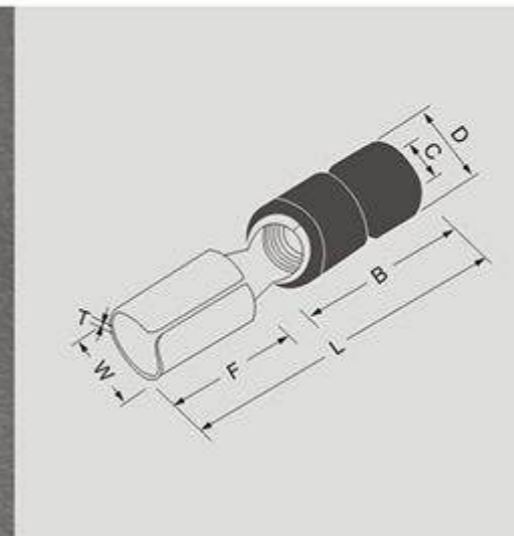



- Material**
 - Insulation: Nylon
 - Terminal Body: Brass
 - Plating: Tin
- Character:**
 - Heat Resistance 105°C
 - Easy Entry




BULLET-MALE QUICK DISCONNECTS

WIRE RANGE mm ² (A.W.G.)	ITEM NO.	DIMENSION mm(inch)				PCS/PACK	COLOR
		W	L	B	C		
0.5-1.5 (22-16)	MPNY1-156	4.0	21.7	10.7	1.7(.067)	1000	Red
	MPNY1-156L	4.0	23.7				
1.5-2.5 (16-14)	MPNY2-156	4.0	21.7	10.7	2.3(.091)	1000	Blue
	MPNY2-156L	4.0	23.7				
	MPNY2-195	5.0	23.2				
4-6(12-10)	MPNY5-195	5.0	25.2	12.7	3.4(.134)	500	Yellow

- Material**
 - Insulation: Nylon
 - Terminal Body: Brass
 - Plating: Tin
- Character:**
 - Heat Resistance 105°C
 - Easy Entry

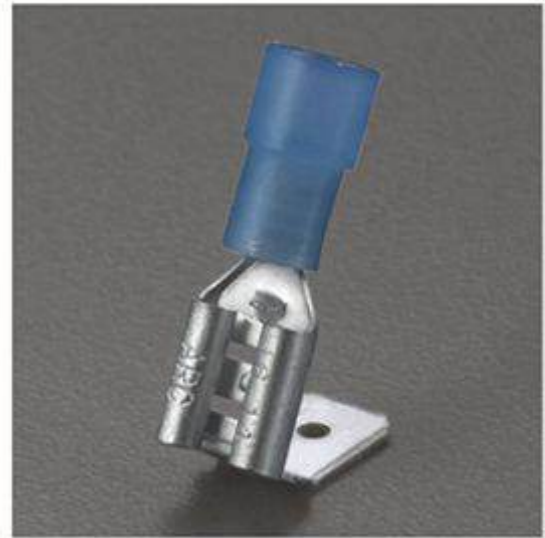


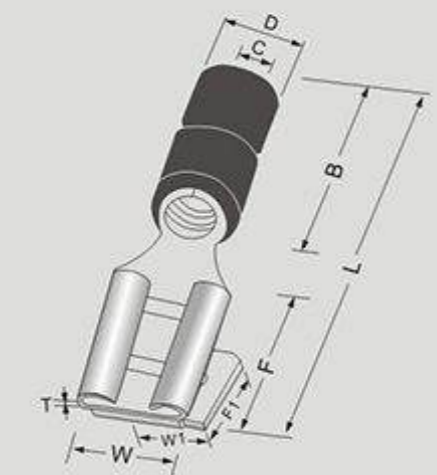
BULLET-FEMALE QUICK DISCONNECTS

WIRE RANGE mm ² (A.W.G.)	ITEM NO.	DIMENSION mm(inch)				PCS/PACK	COLOR
		W	L	B	C		
0.5-1.5(22-16)	FRSNY1-156	3.9	20.5	10.7	1.7(.067)	1000	Red
1.5-2.5(16-14)	FRSNY2-156	3.9	20.5	10.7	2.3(.091)	1000	Blue
	FRSNY2-195	4.9	22.2				
4-6(12-10)	FRSNY5-195	4.9	24.2	12.7	3.4(.134)	500	Yellow

Nylon Insulated - Single Crimp








- Material**
- Insulation: Nylon
- Terminal Body: Brass
- Plating: Tin

- Character:**
- Heat Resistance 105°C
- Easy Entry




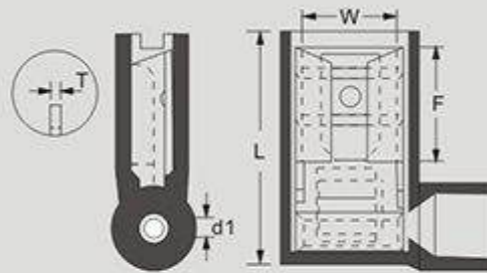
PIGGY BACK QUICK DISCONNECTS

WIRE RANGE mm ² (A.W.G.)	NEMA TAB Thickness × Width	ITEM NO .	DIMENSION mm(inch)						PCS/PACK	COLOR
			W	W1	L	B	C	T		
0.5-1.5 (22-16)	0.8×6.35 .032×.250	PBDNY1-250	6.6(.260)	6.35(.250)	23.2	10.5(.413)	1.7(.067)	0.4(.016)	1000	Red
1.5-2.5 (16-14)	0.8×6.35 .032×.250	PBDNY2-250	6.6(.260)	6.35(.250)	23.2	10.5(.413)	2.3(.091)	0.4(.016)	1000	Blue
4-6 (12-10)	0.8×6.35 .032×.250	PBDNY5-250	6.6(.260)	6.35(.250)	25.2	13.0(.512)	3.4(.134)	0.4(.016)	500	Yellow

Nylon Insulated - Single Crimp









- Material**
- Insulation: Nylon
- Terminal Body: Brass
- Plating: Tin

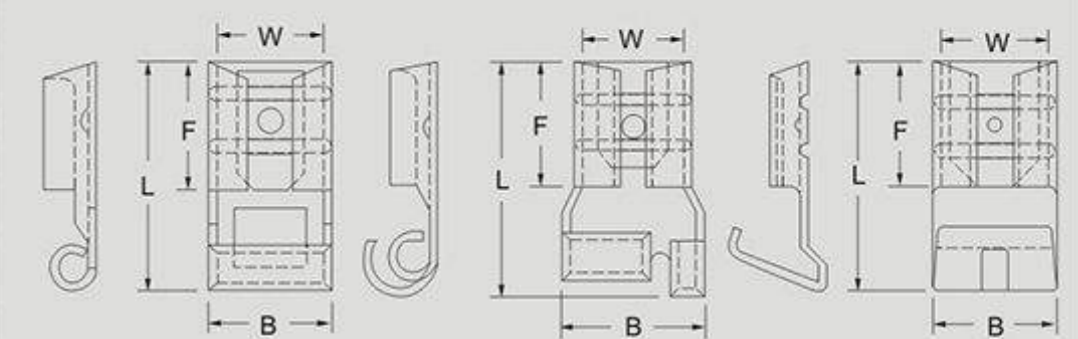
- Character:**
- Heat Resistance 105°C
- Easy Entry



FLAG FEMALE QUICK DISCONNECTS NORMAL TYPE

WIRE RANGE mm ² (A.W.G.)	NEMA TAB Thickness × Width	ITEM NO .	DIMENSION mm(inch)			PCS/PACK	COLOR
			W	L	d1		
0.5-1.5 (22-18)	0.8×6.35 .032×.250	FLDNY1-250	6.6(.260)	16.0(.630)	1.7(.067)	1000	Red
1.5-2.5 (16-14)	0.8×6.35 .032×.250	FLDNY2-250	6.6(.260)	16.0(.630)	2.3(.091)	1000	Blue
4-6 (12-10)	0.8×6.35 .032×.250	FLDNY5-250	6.6(.260)	16.5(.650)	3.4(.134)	500	Yellow

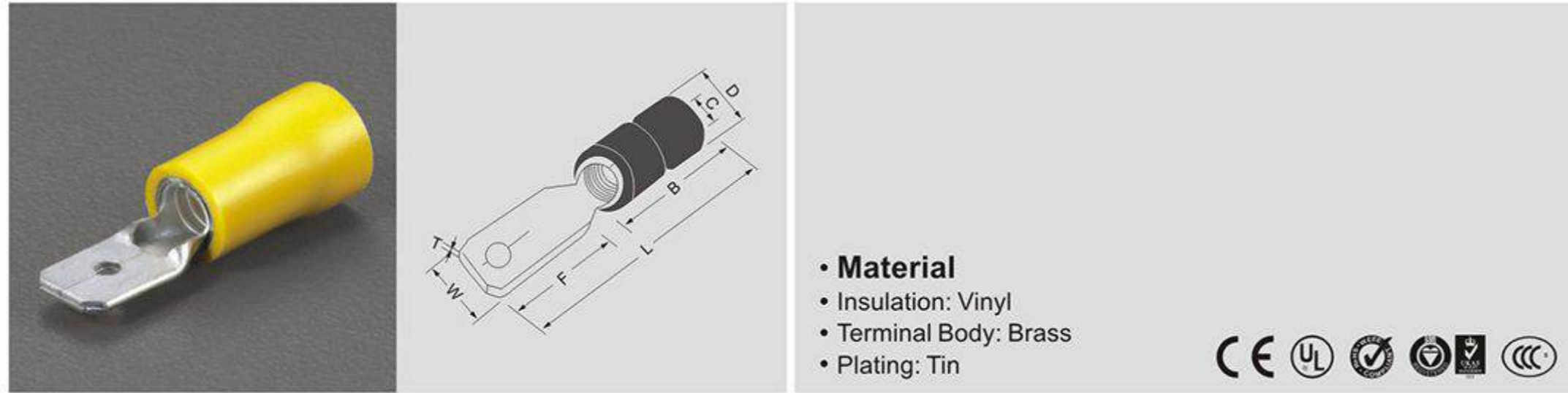




FLAG FEMALE QUICK DISCONNECTS NON-INSULATED

WIRE RANGE mm ² (A.W.G.)	NEMA TAB Thickness × Width	ITEM NO .	DIMENSION mm(inch)			PCS/PACK
			W	L	d1	
0.5-1.5 (22-18)	0.5×4.75 .020×.187	FLDNB1-187(5)	5.0(.197)	11.3(.455)	5.5(.217)	1000
	0.8×4.75 .032×.187	FLDNB1-187(8)	5.0(.197)	11.3(.455)	5.5(.217)	
	0.8×6.35 .032×.250	FLDNB1-250	6.6(.260)	14.0(.551)	7.4(.291)	
		FLDNG1-250	6.6(.260)	15.0(.591)	9.3(.366)	
1.5-2.5 (16-14)	0.5×4.75 .020×.187	FLDNB2-187(5)	5.0(.197)	11.6(.457)	5.5(.217)	1000
	0.8×4.75 .032×.187	FLDNB2-187(8)	5.0(.197)	11.6(.457)	5.5(.217)	
	0.8×6.35 .032×.250	FLDNB2-250	6.6(.260)	14.0(.551)	7.4(.291)	
		FLDNG2-250	6.6(.260)	15.0(.591)	9.3(.366)	
4-6(12-10)	0.8×6.35 .032×.250	FLDNB5-250	6.6(.260)	14.5(.571)	7.5(.295)	500

Vinyl Insulated - Single Crimp



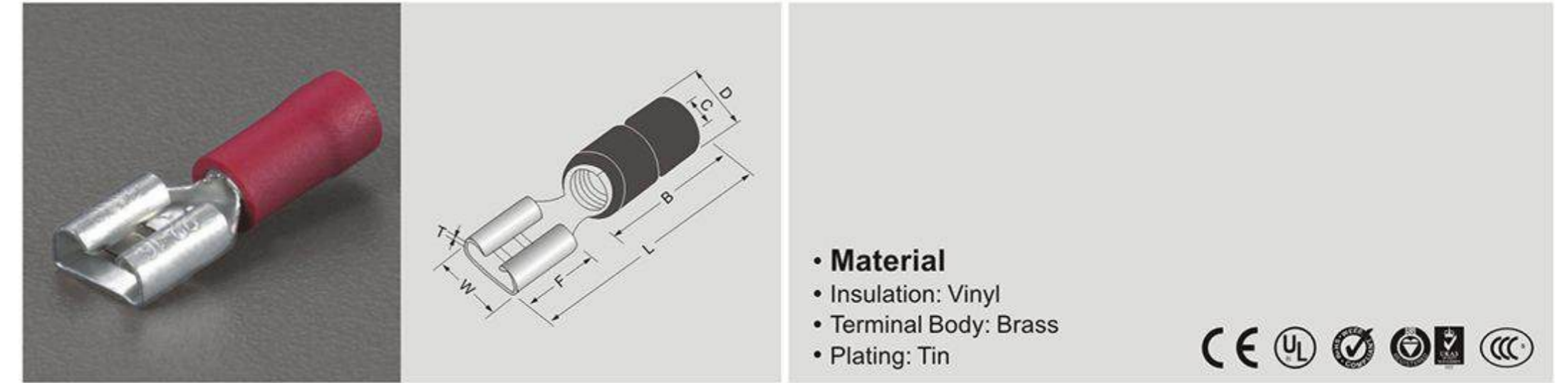
- **Material**
- Insulation: Vinyl
- Terminal Body: Brass
- Plating: Tin



MALE QUICK DISCONNECTS

WIRE RANGE mm ² (A.W.G.)	NEMA TAB Thickness × Width	ITEM NO .	DIMENSION mm(inch)					PCS/PACK	COLOR
			W	L	B	C	T		
0.5-1.5 (22-16)	0.5×2.8 .020×.110	MDV1-110(5)	2.8(.110)	19.2(.756)	10.5(.413)	1.7(.067)	0.5(.020)	1000	Red
	0.8×2.8 .032×.110	MDV1-110(8)					0.4(.016)		
	0.5×4.75 .020×.187	MDV1-187(5)	4.8(.189)	19.8(.780)			0.5(.020)		
	0.8×4.75 .032×.187	MDV1-187(8)					0.4(.016)		
	0.8×6.35 .020×.250	MDV1-250	6.35(.250)	21.8(.858)			0.4(.016)		
1.5-2.5 (16-14)	0.5×4.75 .020×.187	MDV2-187(5)	4.8(.189)	19.8(.780)	10.5(.413)	2.3(.091)	0.5(.020)	1000	Blue
	0.8×4.75 .032×.187	MDV2-187(8)					0.4(.016)		
	0.8×6.35 .032×.250	MDV2-250	6.35(.250)	21.8(.858)			0.4(.016)		
4-6 (12-10)	0.8×6.35 .032×.250	MDV5-250	6.35(.250)	24.0(.945)	13.0(.512)	3.4(.134)	0.4(.016)	500	Yellow

Vinyl Insulated - Single Crimp

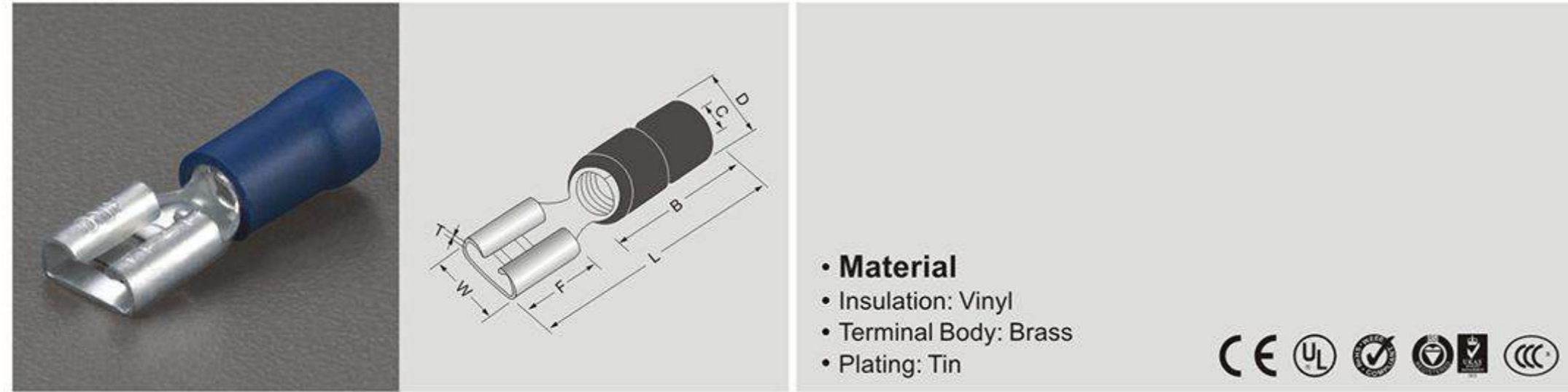


- **Material**
- Insulation: Vinyl
- Terminal Body: Brass
- Plating: Tin



FEMALE QUICK DISCONNECTS

WIRE RANGE mm ² (A.W.G.)	NEMA TAB Thickness × Width	ITEM NO .	DIMENSION mm(inch)				PCS/PACK	COLOR
			W	L	B	C		
0.5-1.5 (22-16)	0.5×2.8 .020×.110	FDV1-110(5)	3.2(.126)	19.0(.748)	10.5(.413)	1.7(.067)	1000	Red
	0.8×2.8 .032×.110	FDV1-110(8)	3.2(.126)					
	0.5×4.75 .020×.187	FDV1-187(5)	5.0(.197)	19.4(.764)				
	0.8×4.75 .032×.187	FDV1-187(8)	5.0(.197)					
	0.5×5.2 .020×.205	FDV1-205(5)	5.7(.224)	19.3(.760)				
	0.8×5.2 .032×.205	FDV1-205(8)	5.7(.224)					
	0.8×6.35 .032×.250	FDV1-250	6.6(.260)	20.8(.819)				
	0.8×8.0 .032×.312	FDV1-312	8.2(.323)	24.5(.965)				

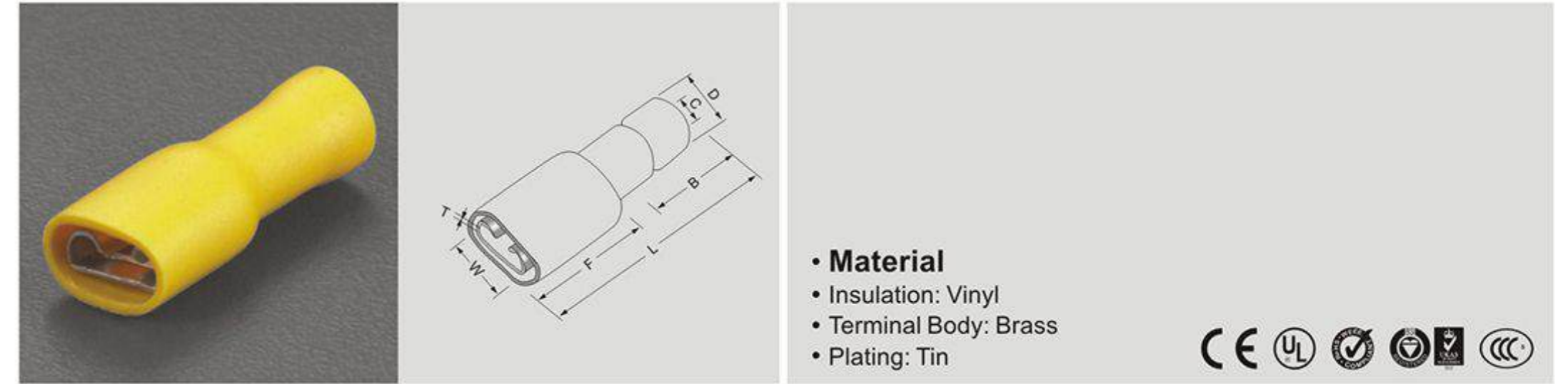


- Material
- Insulation: Vinyl
- Terminal Body: Brass
- Plating: Tin



FEMALE QUICK DISCONNECTS

WIRE RANGE mm ² (A.W.G.)	NEMA TAB Thickness × Width	ITEM NO .	DIMENSION mm(inch)				PCS/PACK	COLOR
			W	L	B	C		
1.5-2.5 (16-14)	0.5×2.8 .020×.110	FDV2-110(5)	3.2(.126)	19.0(.748)	10.5(.413)	2.3	1000	Blue
	0.8×2.8 .032×.110	FDV2-110(8)	3.2(.126)					
	0.5×4.75 .020×.187	FDV2-187(5)	5.0(.197)	19.4(.764)				
	0.8×4.75 .032×.187	FDV2-187(8)	5.0(.197)					
	0.5×5.2 .020×.205	FDV2-205(5)	5.7(.224)	19.3(.760)				
	0.8×5.2 .032×.205	FDV2-205(8)	5.7(.224)					
	0.8×6.35 .032×.250	FDV2-250	6.6(.260)	20.8(.819)				
	0.8×8.0 .032×.312	FDV2-312	8.2(.323)					
	1.2×9.4 .047×.375	FDV2-375	10.0(.394)	26.1(1.028)				
4-6 (12-10)	0.5×2.8 .020×.110	FDV5-110(5)	3.2(.126)	22.0(.866)	13.0(.512)	3.4	500	Yellow
	0.8×2.8 .032×.110	FDV5-110(8)	3.2(.126)					
	0.5×4.75 .020×.187	FDV5-187(5)	5.0(.197)	22.0(.866)				
	0.8×4.75 .032×.187	FDV5-187(8)	5.0(.197)					
	0.8×6.35 .032×.250	FDV5-250	6.6(.260)	23.3(.917)				
	0.8×8.0 .032×.312	FDV5-312	8.2(.323)					
	1.2×9.4 .047×.375	FDV5-375	10.0(.394)	28.6(1.126)				

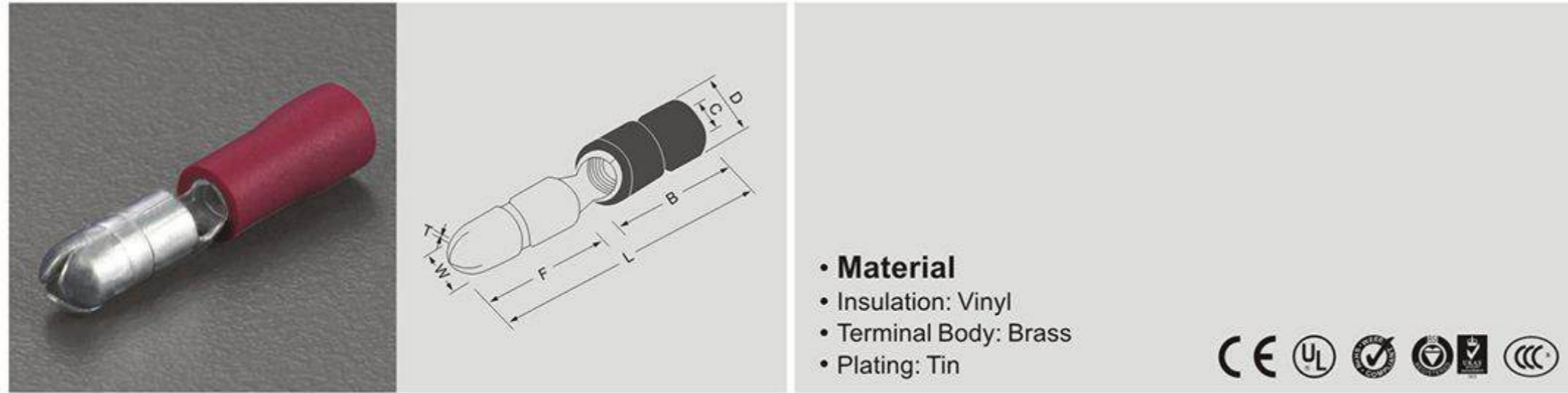


- Material
- Insulation: Vinyl
- Terminal Body: Brass
- Plating: Tin



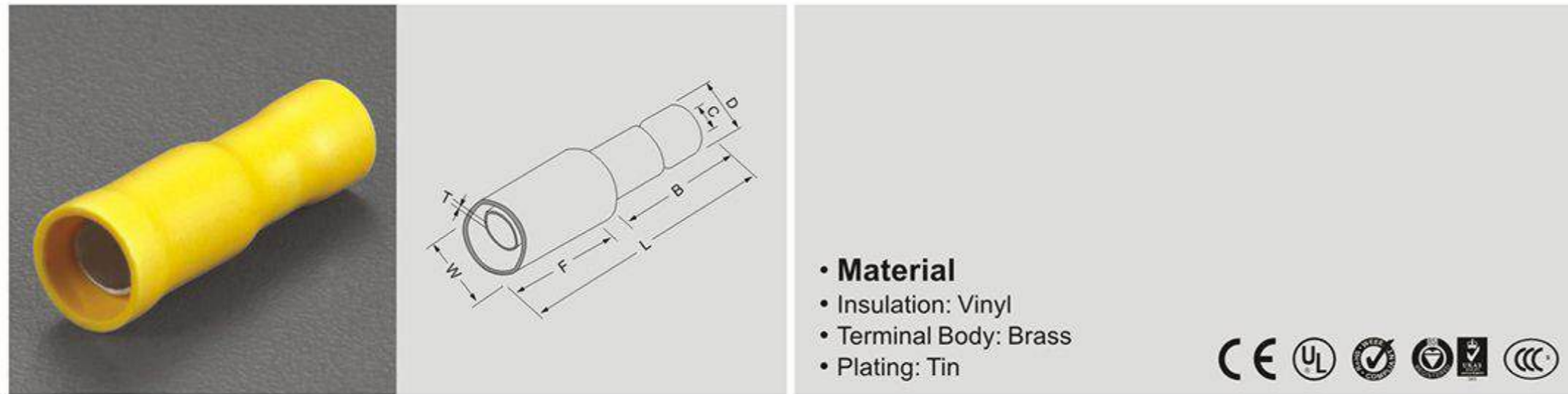
FULLY INSULATED FEMALE QUICK DISCONNECTS

WIRE RANGE mm ² (A.W.G.)	NEMA TAB Thickness × Width	ITEM NO .	DIMENSION mm(inch)				PCS/PACK	COLOR
			W	L	B	C		
0.5-1.5 (22-16)	0.5×2.8 .020×.110	FDFV1-110(5)	3.2(.126)	19.0(.748)	10.5(.413)	1.7	1000	Red
	0.8×2.8 .032×.110	FDFV1-110(8)						
	0.5×4.75 .020×.187	FDFV1-187(5)	5.0(.197)	20.5(.807)				
	0.8×4.75 .032×.187	FDFV1-187(8)						
	0.5×5.2 .020×.205	FDFV1-205(5)	5.7(.224)	20.2(.795)				
	0.8×5.2 .032×.205	FDFV1-205(8)						
	0.8×6.35 .032×.250	FDFV1-250	6.6(.260)	21.8(.858)				
	1.5-2.5 (16-14)	0.5×2.8 .020×.110	FDFV2-110(5)	3.2(.126)				
0.8×2.8 .032×.110		FDFV2-110(8)	3.2(.126)					
0.5×4.75 .020×.187		FDFV2-187(5)	5.0(.197)	20.2(.796)				
0.8×4.75 .032×.187		FDFV2-187(8)	5.0(.197)					
0.5×5.2 .020×.205		FDFV2-205(5)	5.7(.224)	20.2(.795)				
0.8×5.2 .032×.205		FDFV2-205(8)						
0.8×6.35 .032×.250		FDFV2-250	6.6(.260)	22.2(.874)				
4-6 (12-10)	0.8×6.35 .032×.250	FDFV5-250	6.6(.260)	24.2(.953)	12.5(.492)	3.4	500	Yellow
	1.2×9.4 .047×.375	FDFV5-375	10.0(.394)	30.5(1.201)				



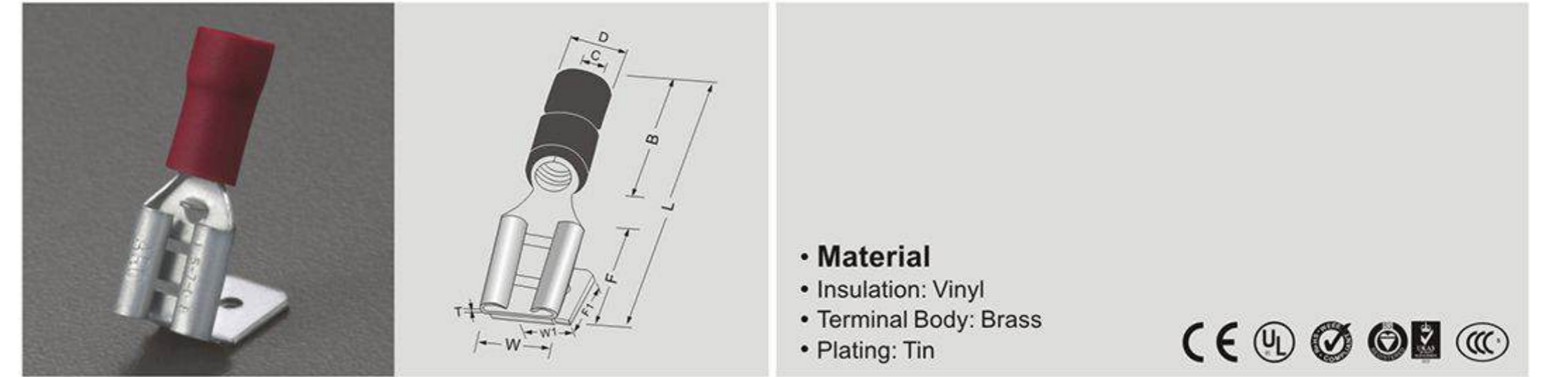
BULLET-MALE QUICK DISCONNECTS

WIRE RANGE mm ² (A.W.G.)	ITEM NO .	DIMENSION mm(inch)				PCS/PACK	COLOR
		W	L	B	C		
0.5-1.5 (22-16)	MPV1-156	4.0	21.0	10.0	1.7(.067)	1000	Red
	MPV1-156L	4.0	23.0				
1.5-2.5 (16-14)	MPV2-156	4.0	21.0	10.0	2.3(.091)	1000	Blue
	MPV2-156L	4.0	23.0				
	MPV2-195	5.0	22.5				
4-6(12-10)	MPV5-195	5.0	25.5	13.0	3.4(.134)	500	Yellow



BULLET-FEMALE QUICK DISCONNECTS

WIRE RANGE mm ² (A.W.G.)	ITEM NO .	DIMENSION mm(inch)				PCS/PACK	COLOR
		W	L	B	C		
0.5-1.5(22-16)	FRV1-156	3.9	23.8	10.0	1.7(.067)	1000	Red
1.5-2.5(16-14)	FRV2-156	3.9	23.8	10.0	2.3(.091)	1000	Blue
	FRV2-195	4.9	23.8				
4-6(12-10)	FRV5-195	4.9	25.0	11.2	3.4(.134)	500	Yellow



PIGGY BACK QUICK DISCONNECTS

WIRE RANGE mm ² (A.W.G.)	NEMA TAB Thickness × Width	ITEM NO .	DIMENSION mm(inch)						PCS/PACK	COLOR
			W	W1	L	B	C	T		
0.5-1.5 (22-16)	0.8×6.35 .032×.250	PBDV1-250	6.6(.260)	6.35(.250)	22.5	10.5(.413)	1.7(.067)	0.4(.016)	1000	Red
1.5-2.5 (16-14)	0.8×6.35 .032×.250	PBDV2-250	6.6(.260)	6.35(.250)	22.5	10.5(.413)	2.3(.091)	0.4(.016)	1000	Blue
4-6 (12-10)	0.8×6.35 .032×.250	PBDV5-250	6.6(.260)	6.35(.250)	24.5	13.0(.512)	3.4(.134)	0.4(.016)	500	Yellow

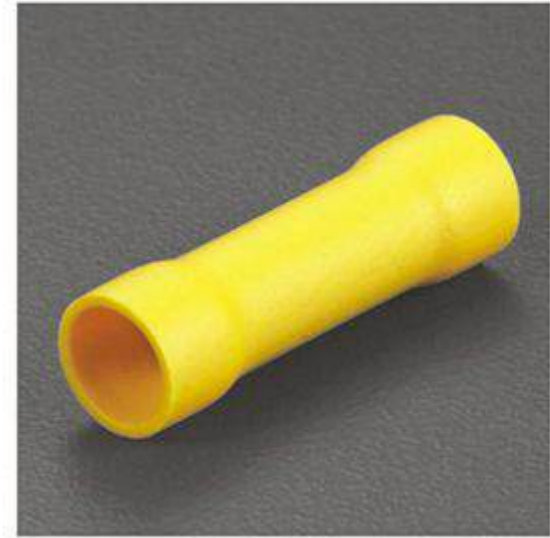
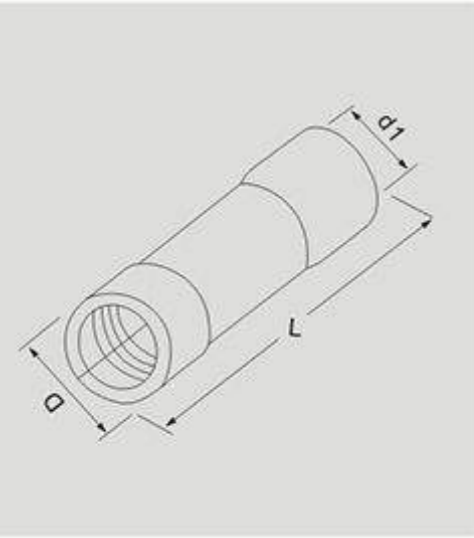


Splices


Accurate,
Innovative,
Reliable and
Intelligent
Connection



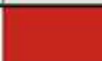


Butt Connectors	111-113	
V-VINYL INSULATED	V	V
BUTT CONNECTOR (SEAM TYPE)	111	
BUTT CONNECTOR (TUBULAR TYPE)	111	
NY-NYLON INSULATED	NY	NY
BUTT CONNECTOR (SEAM TYPE)	112	
BUTT CONNECTOR (TUBULAR TYPE)	112	
HT-HEAT SHRINK INSULATED	HT	HT
BUTT CONNECTOR (TUBULAR TYPE)	113	
Quick Splice Connectors	115-116	
QC	115	
QCS	116	
Closed End Connectors	117	
Wire Nut Connectors	118	

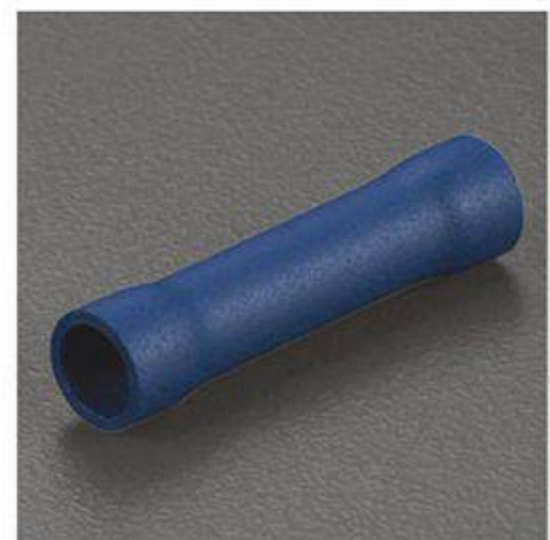
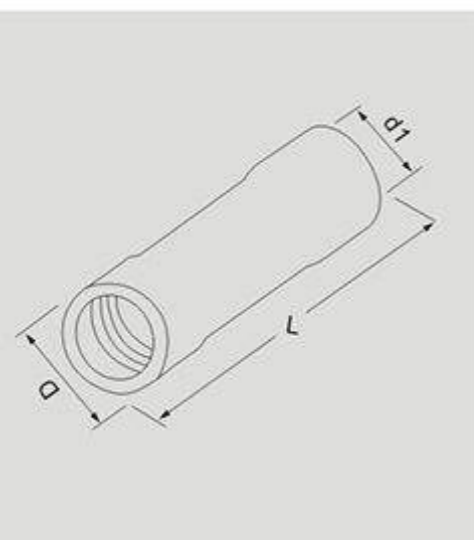



- **Material**
- Insulation: Vinyl
- Terminal Body: Copper
- Plating: Tin




BUTT SPLICE CONNECTORS SEAM TYPE




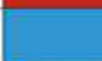



WIRE RANGE mm ² (A.W.G.)	ITEM NO .	DIMENSION mm(inch)			PCS/PACK	COLOR
		L	D	d1		
0.5-1.5(22-16)	BV 1	24.6(.969)	4.0(.157)	1.7(.067)	1000	
1.5-2.5(16-14)	BV 2	24.6(.989)	4.5(.177)	2.3(.091)	1000	
4-6(12-10)	BV 5	26.5(1.034)	6.3	3.4(.134)	1000	

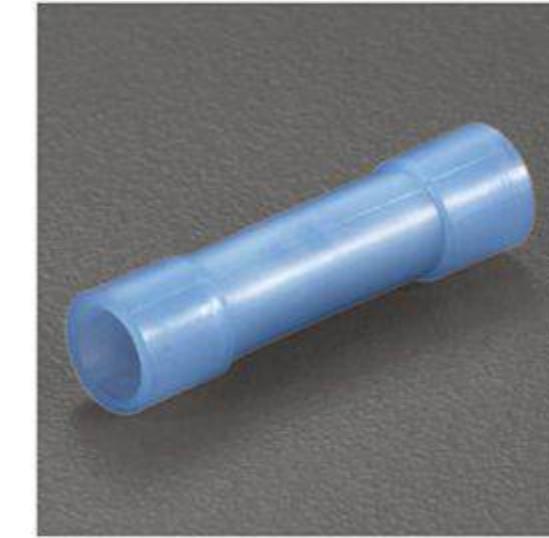
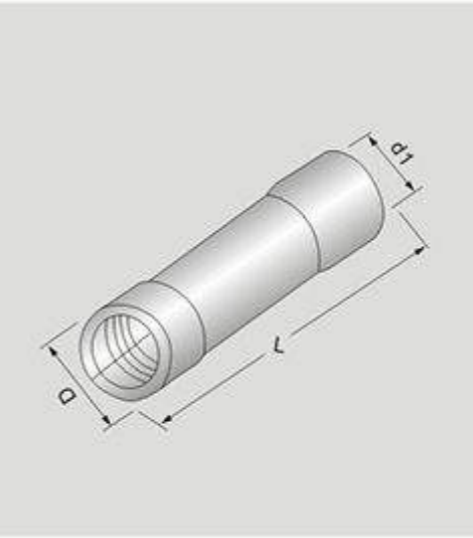
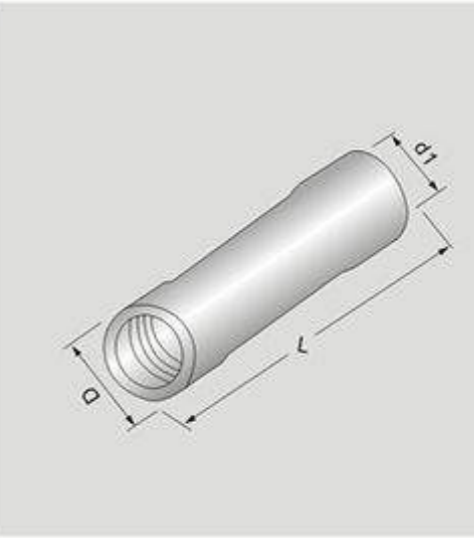



- **Material**
- Insulation: Vinyl
- Terminal Body: Copper
- Plating: Tin




BUTT SPLICE CONNECTORS SEAMLESS TUBULAR TYPE


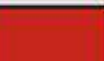




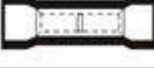





WIRE RANGE mm ² (A.W.G.)	ITEM NO .	DIMENSION mm(inch)			PCS/PACK	COLOR
		L	D	d1		
0.5-1.5(22-16)	BVT 1	24.2(.953)	4.0(.157)	1.7(.067)	1000	
1.5-2.5(16-14)	BVT 2	24.2(.953)	4.5(.177)	2.3(.091)	1000	
4-6(12-10)	BVT 5	26.0(1.024)	6.3(.248)	3.4(.134)	500	
8(8)	BVT 8	35.5(1.398)	8.5(1.335)	4.5(181)	100	
14(6)	BVT 14	45.0(1.772)	10.5(.413)	5.9(.232)	100	
22(4)	BVT 22	52.5(2.069)	12.4(.488)	7.8(.307)	100	
38(2)	BVT 38	55.0(2.165)	15.5(.610)	9.5(.374)	50	















- **Material**
- Insulation: Nylon
- Terminal Body: Copper
- Plating: Tin

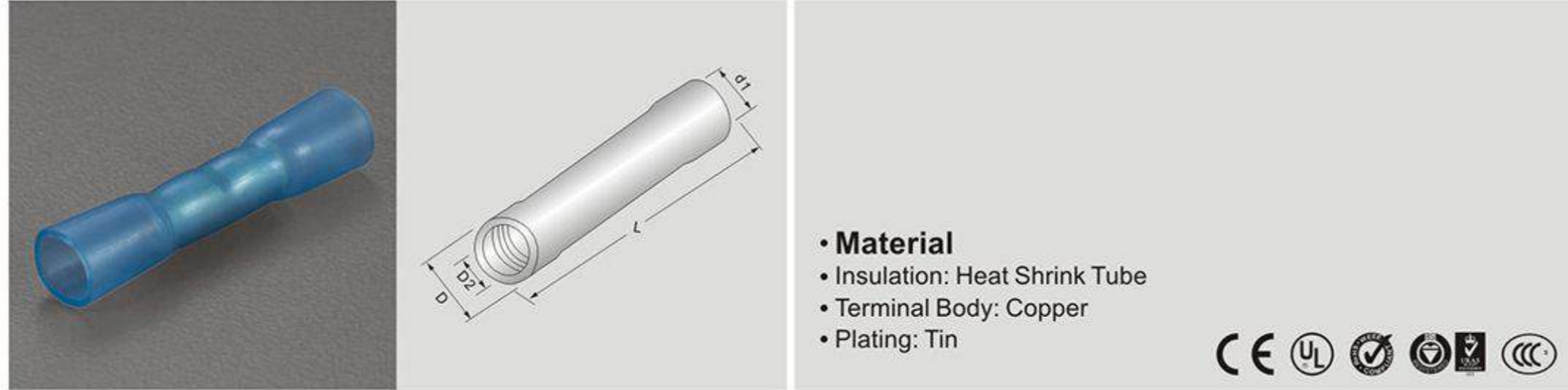


BUTT SPLICE CONNECTORS SEAM TYPE

WIRE RANGE mm ² (A.W.G.)	ITEM NO .	DIMENSION mm(inch)			FIGURE	PCS/PACK	COLOR
		L	D	d1			
0.5-1.5 (22-16)	BNY 1	27.3(1.075)	3.2(.126)	1.7(.067)		1000	
1.5-2.5 (16-14)	BNY 2	27.3(1.075)	3.8(.150)	2.3(.091)		1000	
4-6 (12-10)	BNY 5	27.3(1.075)	5.3(.209)	3.4(.134)		500	
0.5-1.5 (22-16)	BNYF 1	25.2(.992)	4.0(.157)	1.7(.067)		1000	
1.5-2.5 (16-14)	BNYF 2	25.2(.992)	4.5(.177)	2.3(.091)		1000	
4-6 (12-10)	BNYF 5	28.2(1.110)	6.3(.248)	3.4(.134)		500	

BUTT SPLICE CONNECTORS SEAMLESS TUBULAR TYPE

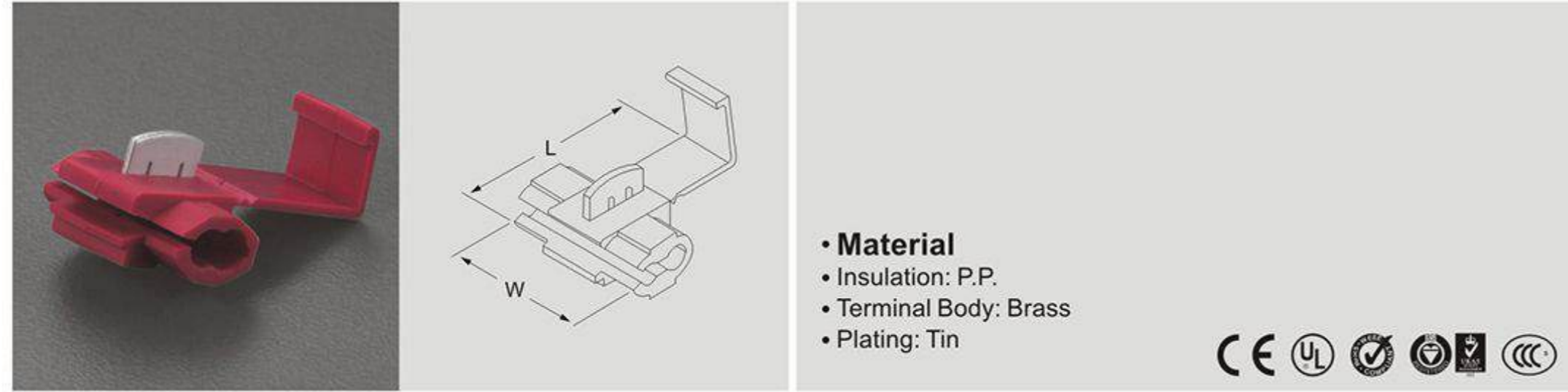
WIRE RANGE mm ² (A.W.G.)	ITEM NO .	DIMENSION mm(inch)			FIGURE	PCS/PACK	COLOR
		L	D	d1			
0.2-0.5 (26-22)	BNYT 0.5	20.0(.787)	2.0(.079)	1.3(.051)		1000	
0.5-1.5 (22-16)	BNYT 1	27.3(1.075)	3.2(.126)	1.7(.067)		1000	
1.5-2.5 (16-14)	BNYT 2	27.3(1.075)	3.8(.150)	2.3(.091)		1000	
4-6 (12-10)	BNYT5	27.3(1.075)	5.3(.209)	3.4(.134)		1000	
0.5-1.5 (26-22)	BNYTF 1	25.2(.992)	4.0(.157)	1.7(.067)		1000	
1.5-2.5 (16-14)	BNYTF 2	25.2(.992)	4.5(.177)	2.3(.091)		1000	
4-6 (12-10)	BNYTF 5	28.2(1.110)	6.3(.248)	3.4(.134)		1000	



**BUTT SPLICE CONNECTORS
SEAMLESS TUBULAR TYPE**

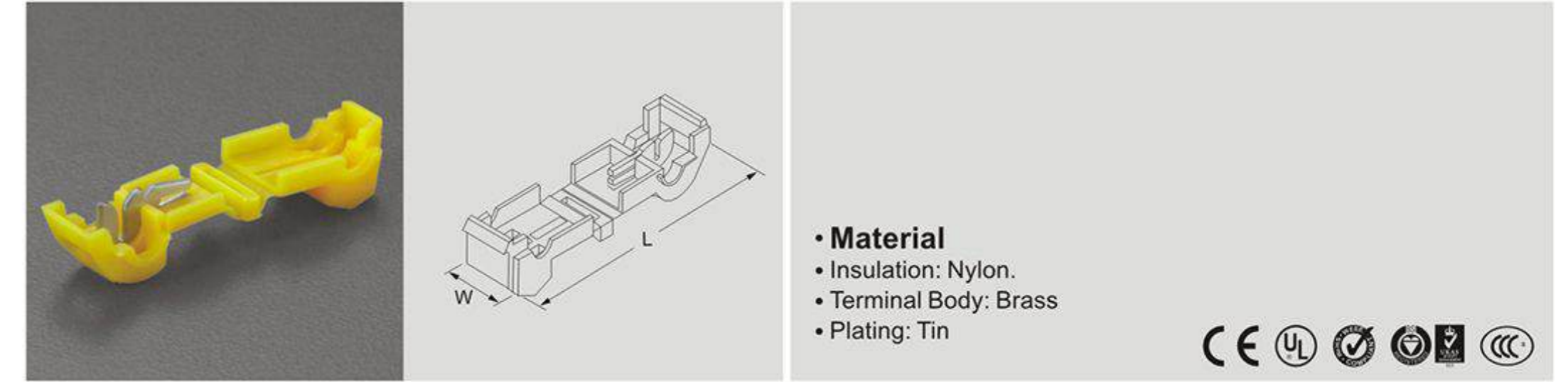
WIRE RANGE mm ² (A.W.G.)	ITEM NO .	DIMENSION mm(inch)				PCS/PACK	COLOR
		L	D	d1	d2		
0.5-1.5 (22-16)	BHT 1	36	5.8	4.5	1.8	500	Red
1.5-2.5 (16-14)	BHT 2	36	6.8	5.5	2.4	500	Blue
4-6 (12-10)	BHT 5	41	8.0	6.5	3.5	300	Yellow





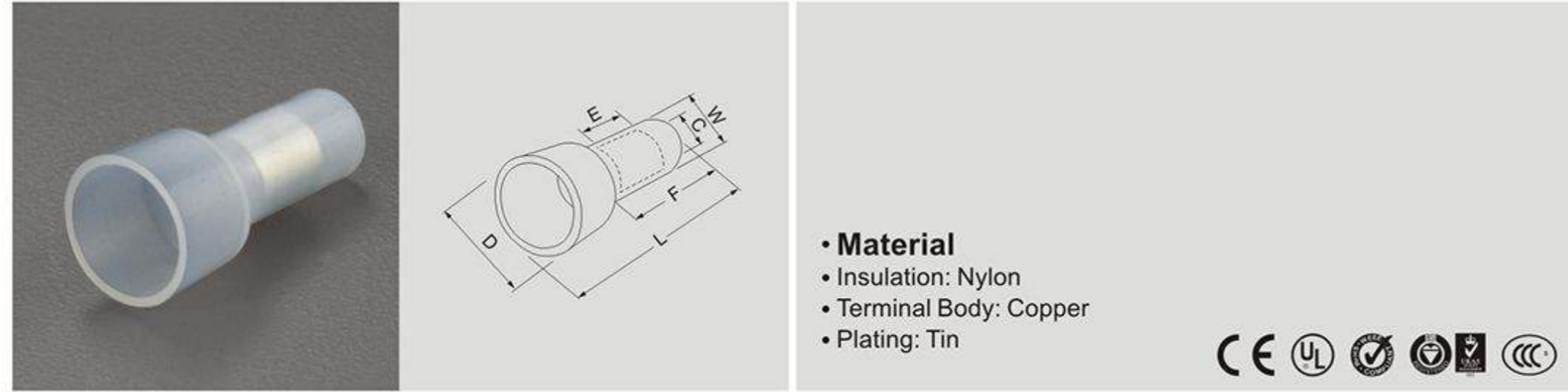
QUICK SPLICE CONNECTORS

WIRE RANGE mm ² (A.W.G.)	ITEM NO .	W mm(inch)	L mm(inch)	FIGURE	PCS/PACK	COLOR
0.5-1.0 (22-18)	QC1	20.0(.787)	27.0(1.063)		500	Red
0.75-2.5 (18-14)	QC2	20.0(.787)	27.0(1.063)		500	Blue
4-6 (12-10)	QC5	20.5(.807)	34.5(1.358)		200	Yellow



QUICK SPLICE CONNECTORS

WIRE RANGE mm ² (A.W.G.)	ITEM NO .	W mm(inch)	L mm(inch)	FIGURE	PCS/PACK	COLOR
0.5-0.75 (22-18)	QCS1	9.8(.386)	37.0(1.457)		500	Dark Red
0.75-2.5 (18-14)	QCS2	9.8(.386)	37.0(1.457)		500	Blue
4 (12)	QCS5	9.8(.386)	37.0(1.457)		500	Yellow

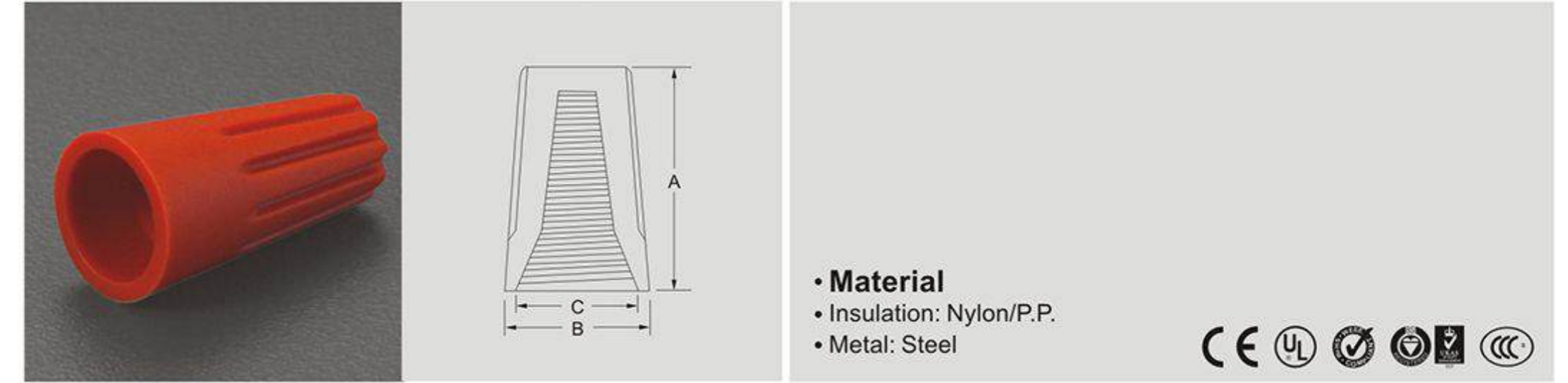


- **Material**
- Insulation: Nylon
- Terminal Body: Copper
- Plating: Tin



CLOSED END CONNECTORS

WIRE RANGE mm ² (A.W.G.)	ITEM NO.	DIMENSION mm(inch)					PCS/PACK	COLOR
		W	L	D	T	C		
1.25 (22-16)	CE1	5.0(.197)	21.0(.827)	8.0(.315)	0.5(.020)	2.3(.091)	500	Nature
2 (16-14)	CE2	5.5(.217)	21.0(.827)	8.0(.315)	0.45(.018)	3.1(.122)	500	
5.5 (12-10)	CE5	7.5(.295)	25.5(1.004)	10.0(.394)	0.7(.028)	4.0(.157)	500	
8 (8)	CE8	9.4(.370)	29.8(1.173)	12.0(.472)	1.25(.049)	4.4(.173)	300	
1.25 (22-16)	PB1	5.0(.197)	15.2(.598)	6.0(.236)	0.5(.020)	2.3(.091)	500	
2 (16-14)	PB2	5.8(.228)	15.2(.598)	6.3(.248)	0.45(.018)	3.1(.122)	500	
5.5 (12-10)	PB5	7.3(.287)	17.8(.701)	9.2(.362)	0.7(.028)	4.0(.157)	500	
8 (8)	PB8	9.4(.370)	22.0(.866)	11.8(.465)	1.25(.049)	5.0(.197)	300	



- **Material**
- Insulation: Nylon/P.P.
- Metal: Steel



WIRE NUT CONNECTORS

ITEM NO.	SUITABLE WIRE NO.&A.W.G.	DIMENSION mm(inch)			PCS/PACK	COLOR
		A	B	C		
SP1	MIN#20×1+#22×1 MAX#16×2	15.2(.598)	8.6(.339)	6.7(.264)	1000	Grey
SP2	MIN#20×3 MAX#16×3	17.6(.693)	9.8(.386)	7.4(.291)	1000	Blue
SP3	MIN#20×3 MAX#16×3+#18×1	22.0(.886)	12.0(.472)	9.9(.390)	500	Orange
SP4	MIN#14×1+#18×1 MAX#14×4+#18×1	24.5(.965)	14.0(.551)	11.0(.433)	500	Yellow
SP6	MIN#14×2 MAX#10×2+#12×2	27.4(1.079)	16.8(.661)	12.7(.500)	250	Red



Cord End Terminals

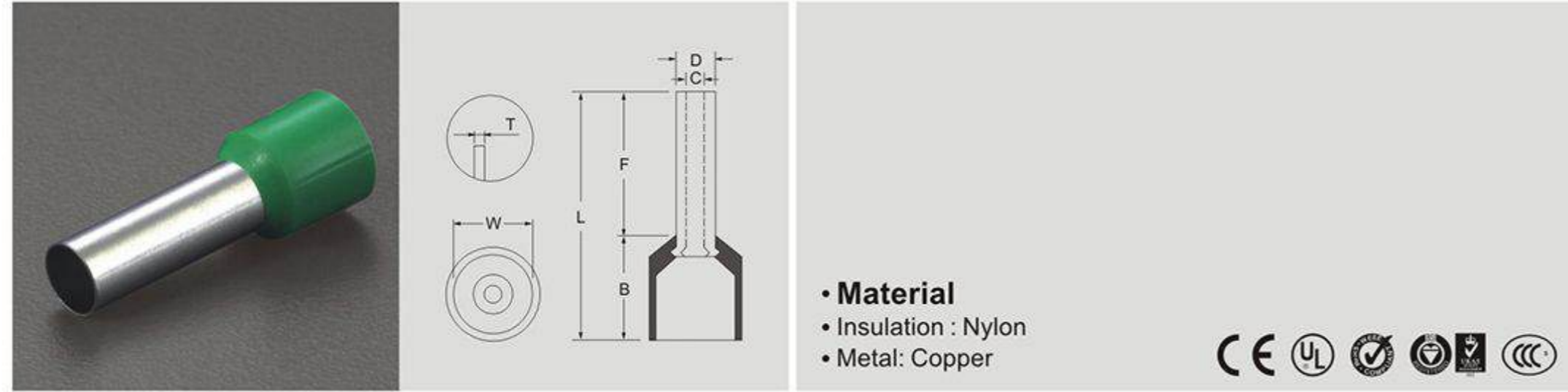
Accurate,
Innovative,
Reliable and
Intelligent
Connection

CORD END TERMINALS - E 121-123

CORD END TERMINALS - TE 124

NON. INSULATED CORD END - EN 125-128



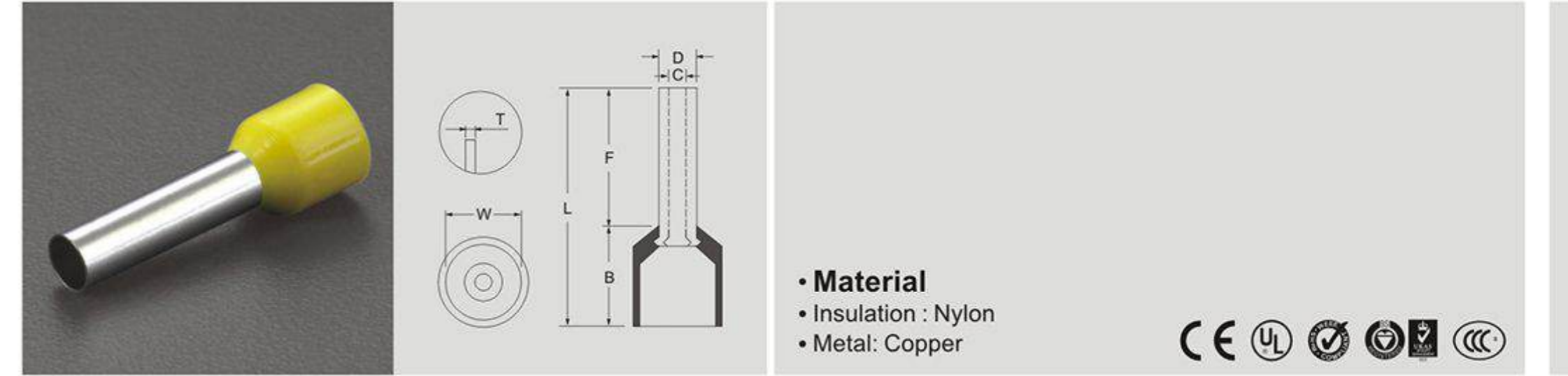


• **Material**
 • Insulation : Nylon
 • Metal: Copper



CORD END TERMINALS

WIRE RANGE mm ² (A.W.G.)	PART NO .	DIMENSION(mm)				PCS/PACK	FRENCH COLOUR	GERMAN COLOUR	DIN COLOUR
		F	L	W	C				
0.2 (26)	E0206	6.0	10.4	1.9	0.8	1000	Violet	Lt Blue	N/A
	E0208	8.0	12.4						
0.3 (24)	E0306	6.0	10.5	2.6	0.8	1000	Pink	Turquoise	N/A
	E0308	8.0	12.5						
0.5 (22)	E0505	5.0	11.0	3.3	1.0	1000	White	Orange	White
	E0506	6.0	12.0						
	E0508	8.0	14.0						
	E0510	10.0	16.0						
0.75 (20)	E0512	12.0	18.0	3.6	1.21	1000	Blue	White	Grey
	E7506	6.0	12.4						
	E7508	8.0	14.3						
	E7508-L	8.0	14.5						
	E7510	10.0	16.4						
1.0 (18)	E7512	12.0	18.4	3.8	1.50	1000	Red	Yellow	Red
	E7518	18.0	24.3						
	E1006	6.0	12.4						
	E1008	8.0	14.6						
	E1008-L	8.0	14.5						
	E1010	10.0	16.4						
1.5 (16)	E1012	12.0	18.4	4.5	1.80	1000	Black	Red	Black
	E1012-L	12.0	18.5						
	E1018	18.0	24.3						
	E1508	8.0	14.6						
	E1508-L	8.0	14.5						
	E1510	10.0	16.4						
	E1512	12.0	18.4						
	E1515	15.0	21.3						
	E1518	18.0	24.4						

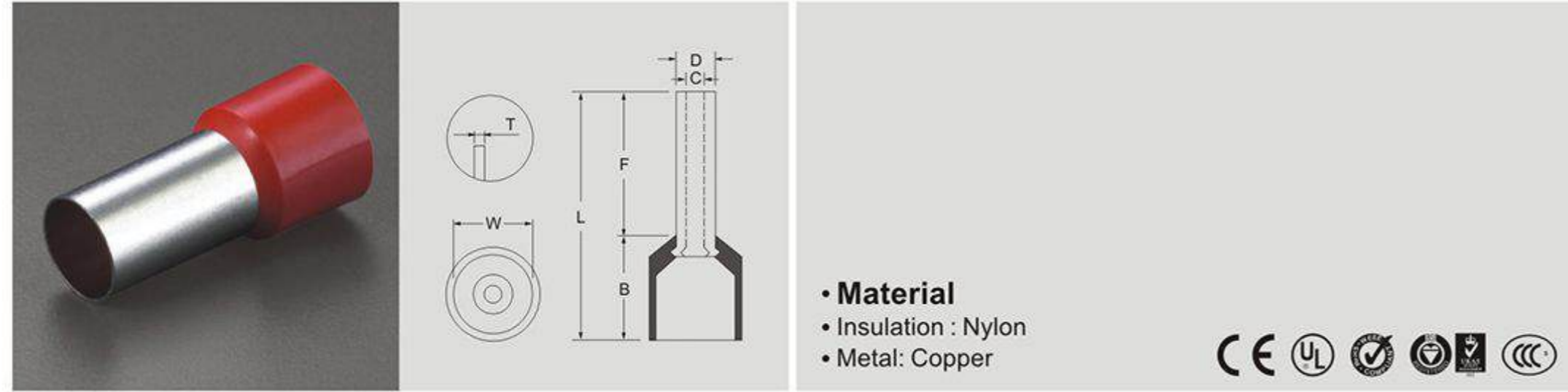


• **Material**
 • Insulation : Nylon
 • Metal: Copper



CORD END TERMINALS

WIRE RANGE mm ² (A.W.G.)	PART NO .	DIMENSION(mm)				PCS/PACK	FRENCH COLOUR	GERMAN COLOUR	DIN COLOUR
		F	L	W	C				
2.5 (14)	E2508	8.0	15.4	5.1	2.3	1000	Grey	Blue	Blue
	E2510	10.0	17.4						
	E2512	12.0	19.4						
	E2518	18.0	25.4						
4.0 (12)	E2525	25.0	32.4	5.5	2.8	1000	Orange	Grey	Grey
	E4009	9.0	16.5						
	E4010	10.0	17.4						
	E4012	12.0	19.5						
6.0 (10)	E4018	18.0	25.5	6.9	3.5	1000	Green	Black	Yellow
	E6010	10.0	18.0						
	E6012	12.0	20.5						
10 (8)	E6018	18.0	26.5	8.4	4.5	1000	Brown	White	Red
	E10-12	12.0	21.5						
16 (6)	E10-18	18.0	27.5	9.4	5.8	500	White	Green	Blue
	E16-12	12.0	22.2						
25 (4)	E16-18	18.0	28.2	11.8	7.5	250	Black	Brown	Yellow
	E25-12	12.0	24.0						
	E25-15	15.0	27.0						
	E25-16	16.0	29.0						
	E25-18	18.0	30.0						
35 (2)	E25-22	22.0	35.0	13.1	8.3	250	Red	White	Red
	E35-16	16.0	30.0						
	E35-18	18.0	32.0						
	E35-22	22.0	36.0						
	E35-25	25.0	39.0						

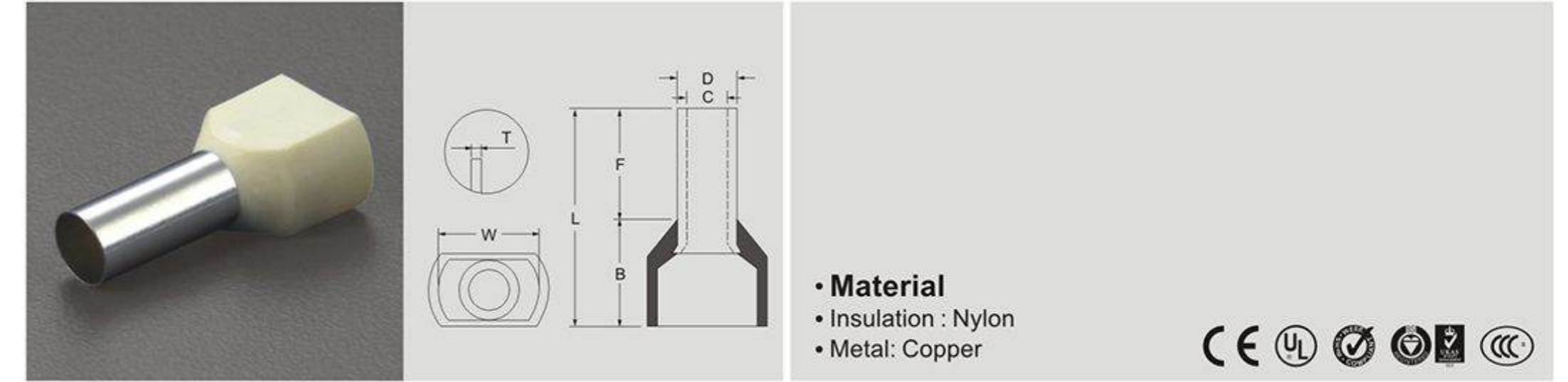


• **Material**
 • Insulation : Nylon
 • Metal: Copper



CORD END TERMINALS

WIRE RANGE mm ² (A.W.G.)	PART NO .	DIMENSION(mm)				PCS/PACK	FRENCH COLOUR	GERMAN COLOUR	DIN COLOUR
		F	L	W	C				
50 (1/0)	E50-12	12.0	28.0	15.6	10.3	250	Blue	Turquoise	Blue
	E50-20	20.0	36.0						
	E50-25	25.0	41.0						
70 (2/0)	E70-20	20.0	37.0	18.2	13.5	100	Yellow	Yellow	Yellow
	E70-25	25.0	42.0						
	E70-27	27.0	44.0						
95 (3/0)	E95-25	25.0	44.0	19.8	14.5	100	Red	Red	Red
120 (4/0)	E120-27	27.0	47.6	21.5	16.5	50	Blue	Blue	Blue
	E120-32	32.0	52.6						
250/300 (150)	E150-25	25.0	50.6	25.2	19.6	50	Yellow	Yellow	Yellow
	E150-27	27.0	52.6						
	E150-32	32.0	57.6						
16 (1.5)	E1508-XL	8.0	17.4	6.8	1.8	1000	Black	Red	Black
	E1510-XL	10.0	19.4						
14 (2.5)	E2508-XL	8.0	17.6	7.8	2.3	1000	Grey	Blue	Blue
	E2512-XL	12.0	21.6						
12 (4.0)	E4010-XL	10.0	19.5	7.8	2.8	1000	Orange	Grey	Grey
	E4012-XL	12.0	21.5						
10 (6.0)	E6012-XL	12.0	23.1	8.3	3.5	1000	Green	Black	Yellow
8 (10)	E10-12-XL	12.0	23.7	9.8	4.5	1000	Brown	White	Red
6 (16)	E16-12-XL	12.0	25.8	12.2	5.8	500	White	Green	Blue



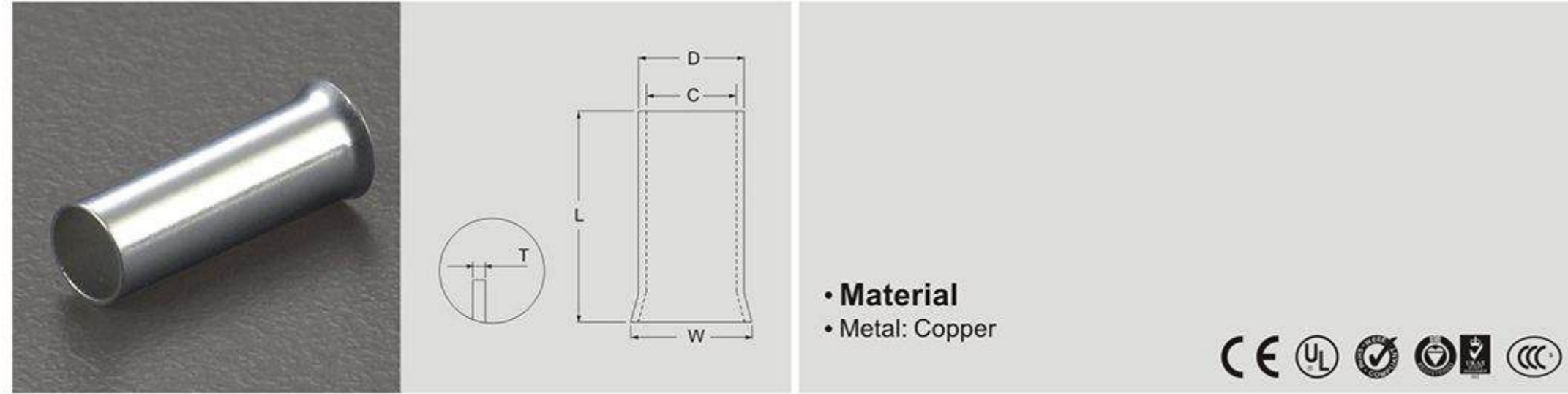
• **Material**
 • Insulation : Nylon
 • Metal: Copper



CORD END TERMINALS - TWIN WIRES

WIRE RANGE mm ² (A.W.G.)	PART NO .	DIMENSION(mm)				PCS/PACK	FRENCH COLOUR	GERMAN COLOUR	DIN COLOUR
		F	L	W	C				
2*0.5 (2*22)	TE0508	8.0	14.5	5.0	1.5	1000	White	Orange	White
2*0.75 (2*20)	TE7508	8.0	14.7	5.1	1.8	1000	Blue	White	Grey
	TE7510	10.0	16.7		1.8				
2*1.0 (2*18)	TE1008	8.0	15.1	5.5	2	1000	Red	Yellow	Red
	TE1010	10.0	17.1		2				
2*1.5 (2*16)	TE1508	8.0	15.5	6.6	2.3	1000	Black	Red	Black
	TE1512	12.0	19.5		2.3				
2*2.5 (2*14)	TE2510	10.0	18.5	7.9	2.9	1000	Grey	Blue	Blue
	TE2513	13.0	21.5		2.9				
2*4.0 (2*12)	TE4012	12.0	23.1	8.9	3.8	1000	Orange	Grey	Grey
2*6.0 2*10	TE6014	14.0	26.1	14.5	4.9	1000	Green	Black	Yellow
2*10 2*8	TE10-14	14.0	26.6	12.5	6.5	500	Brown	White	Red
2*16 (2*6)	TE16-14	14.0	31.3	23.7	8.3	250	White	Green	Blue

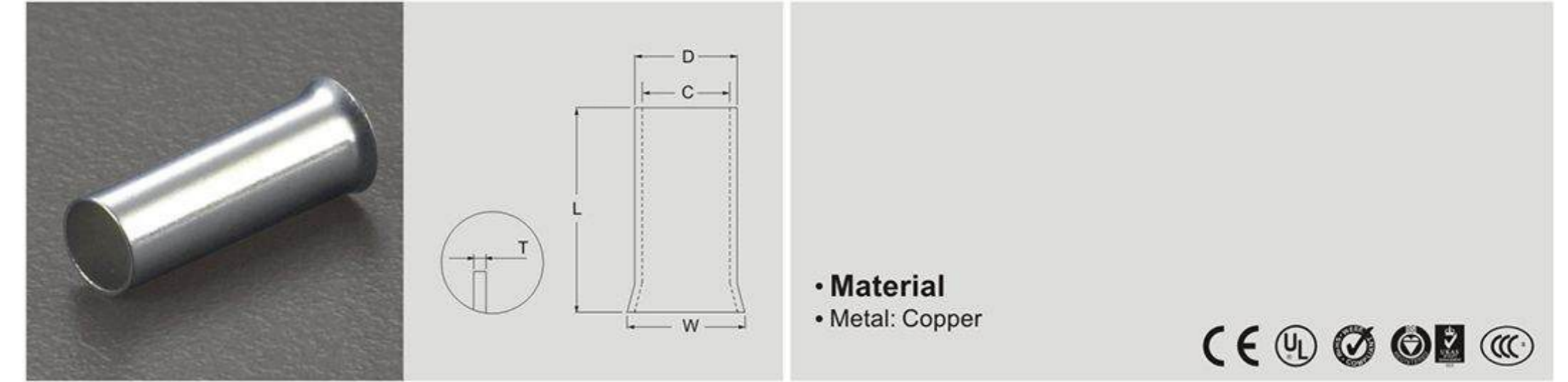
Non. Insulated Cord End



NON. INSULATED CORD END

WIRE RANGE mm ² (A.W.G.)	PART NO.	DIMENSION(mm)			PCS/PACK
		L	C	W	
0.2 (26)	EN0206	6.0	0.8	1.5	10000
	EN0207	7.0	0.8		
	EN0208	8.0	0.8		
0.3 (24)	EN0306	6.0	0.8	1.5	10000
	EN0308	8.0	0.8		
0.5 (22)	EN0505	5.0	1	1.7	10000
	EN0506	6.0	1		
	EN0508	8.0	1		
	EN0510	10.0	1		
	EN0512	12.0	1		
0.75 (20)	EN7506	6.0	1.21	1.9	10000
	EN7508	8.0	1.21		
	EN7510	10.0	1.21		
	EN7512	12.0	1.21		
	EN7515	15.0	1.21		
	EN7518	18.0	1.21		
	EN7520	20.0	1.21		
1.0 (18)	EN1006	6.0	1.5	2.2	10000
	EN1008	8.0	1.5		
	EN1010	10.0	1.5		
	EN1012	12.0	1.5		
	EN1015	15.0	1.5		
	EN1018	18.0	1.5		
	EN1020	20.0	1.5		
1.5 (16)	EN1507	7.0	1.8	2.5	10000
	EN1508	8.0	1.8		
	EN1510	10.0	1.8		
	EN1512	12.0	1.8		
	EN1515	15.0	1.8		
	EN1518	18.0	1.8		
	EN1520	20.0	1.8		

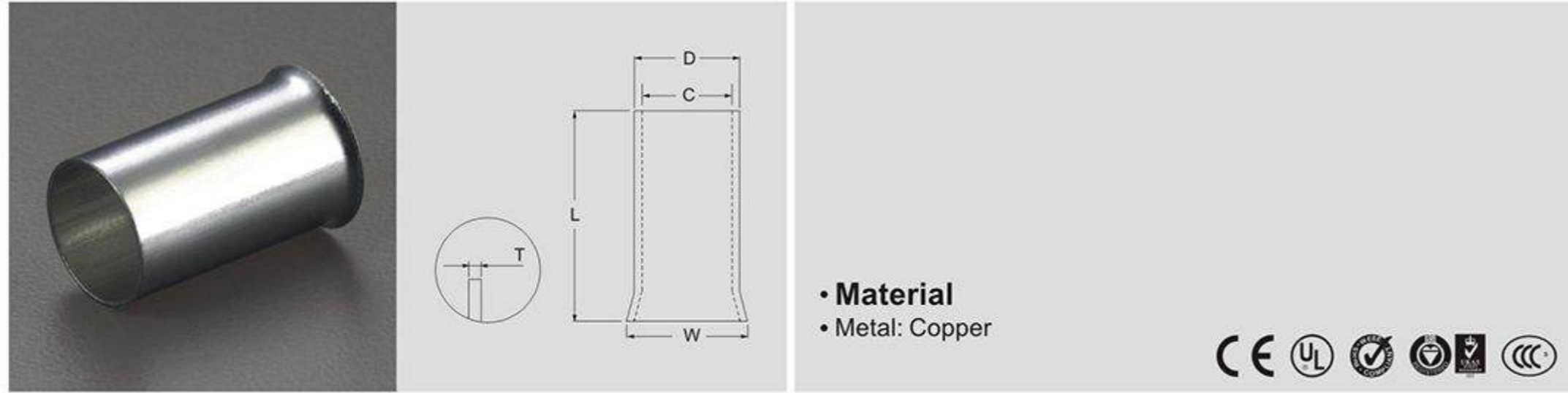
Non. Insulated Cord End



NON. INSULATED CORD END

WIRE RANGE mm ² (A.W.G.)	PART NO.	DIMENSION(mm)			PCS/PACK
		L	C	W	
2.5 (14)	EN2506	6.0	2.3	3.3	10000
	EN2507	7.0	2.3		
	EN2508	8.0	2.3		
	EN2510	10.0	2.3		
	EN2512	12.0	2.3		
	EN2515	15.0	2.3		
	EN2518	18.0	2.3		
	EN2520	20.0	2.3		
4.0 (12)	EN2525	15.0	2.3	3.9	5000
	EN4009	9.0	2.8		
	EN4010	10.0	2.8		
	EN4012	12.0	2.8		
	EN4015	15.0	2.8		
	EN4018	18.0	2.8		
	EN4020	20.0	2.8		
	6.0 (10)	EN6006	6.0		
EN6010		10.0	3.5		
EN6012		12.0	3.5		
EN6015		15.0	3.5		
EN6018		18.0	3.5		
EN6020		20.0	3.5		
10 (8)		EN10-12	12.0	4.5	5.8
	EN10-15	15.0	4.5		
	EN10-16	16.0	4.5		
	EN10-18	18.0	4.5		
	EN10-20	20.0	4.5		
	EN10-25	15.0	4.5		

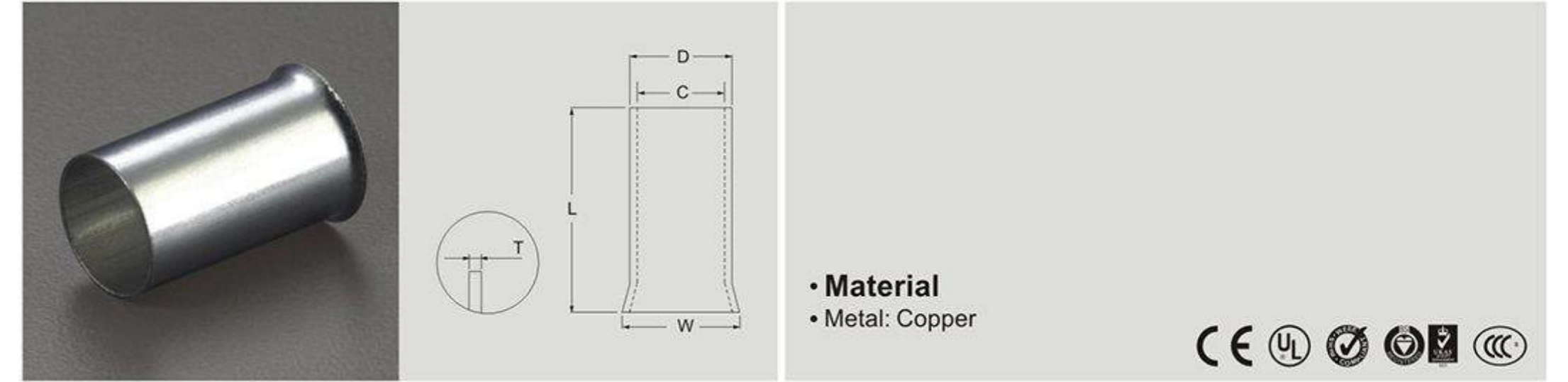
Non. Insulated Cord End



NON. INSULATED CORD END

WIRE RANGE mm ² (A.W.G.)	PART NO.	DIMENSION(mm)			PCS/PACK
		L	C	W	
16 (6)	EN16-12	12.0	5.8	7.2	2000
	EN16-15	15.0	5.8		
	EN16-16	16.0	5.8		
	EN16-18	18.0	5.8		
	EN16-20	20.0	5.8		
	EN16-22	22.0	5.8		
	EN16-25	25.0	5.8		
	EN16-30	30.0	5.8		
25 (4)	EN16-32	32.0	5.8	9.1	1000
	EN25-12	12.0	7.5		
	EN25-15	15.0	7.5		
	EN25-16	16.0	7.5		
	EN25-18	18.0	7.5		
	EN25-20	20.0	7.5		
	EN25-22	22.0	7.5		
	EN25-25	25.0	7.5		
35 (2)	EN25-30	30.0	7.5	10.2	500
	EN25-32	32.0	7.5		
	EN35-12	12.0	8.3		
	EN35-15	15.0	8.3		
	EN35-16	16.0	8.3		
	EN35-18	18.0	8.3		
	EN35-20	20.0	8.3		
50 (1/0)	EN35-25	25.0	8.3	12.7	500
	EN35-30	30.0	8.3		
	EN35-32	32.0	8.3		
	EN50-12	12.0	10.3		
	EN50-18	18.0	10.3		
	EN50-20	20.0	10.3		
	EN50-22	22.0	10.3		
	EN50-25	25.0	10.3		
	EN50-30	30.0	10.3		
	EN50-32	32.0	10.3		

Non. Insulated Cord End



NON. INSULATED CORD END

WIRE RANGE mm ² (A.W.G.)	PART NO.	DIMENSION(mm)			PCS/PACK
		L	C	W	
70 (2/0)	EN70-20	20.0	13.5	15.8	200
	EN70-22	22.0	13.5		
	EN70-25	25.0	13.5		
	EN70-27	27.0	13.5		
	EN70-30	30.0	13.5		
	EN70-32	32.0	13.5		
95 (3/0)	EN90-25	25.0	14.5	17.3	100
	EN90-30	30.0	14.5		
	EN90-32	32.0	14.5		
	EN90-34	34.0	14.5		
120 (4/0)	EN120-27	27.0	16.5	20.2	100
	EN120-30	30.0	16.5		
	EN120-32	32.0	16.5		
	EN120-34	34.0	16.5		
	EN120-38	38.0	16.5		
	EN120-40	40.0	16.5		
250/300 150	EN150-25	25.0	19.6	23	50
	EN150-27	27.0	19.6		
	EN150-32	32.0	19.6		
	EN150-34	34.0	19.6		
	EN150-38	38.0	19.6		
	EN150-40	40.0	19.6		
	185 (300/350)	EN185-32	32.0		
EN185-40		40.0	20.2		

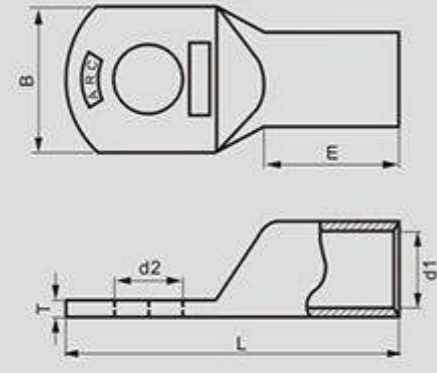


Tubular Lugs Terminals

Accurate,
Innovative,
Reliable and
Intelligent
Connection

CABLE LUG-STRAIGHT ENTRY	131-134
CABLE LUG-BELL ENTRY	135-138
CABLE LUG-STRAIGHT ENTRY WITH SPY HOLE	139-142
CABLE LUG-BELL ENTRY WITH SPY HOLE	143-146
CABLE LUG-STRAIGHT ENTRY(DIN)	147-148
BUTT SPLICE CONNECTORS-SEAMLESS TUBULAR TYPE	149

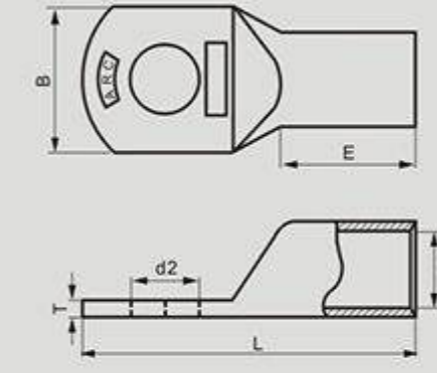
Non-Insulated -Copper Lugs



- Material
- Terminal Body: Copper
- Plating: Tin



Non-Insulated -Copper Lugs



- Material
- Terminal Body: Copper
- Plating: Tin



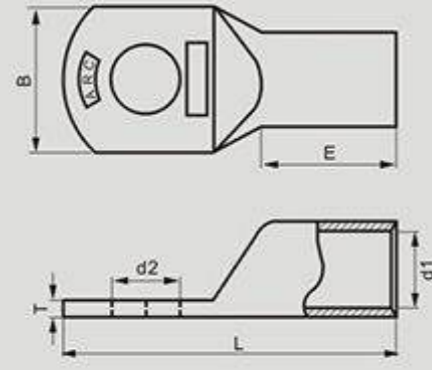
CABLE LUG-STRAIGHT ENTRY

PART NO.	DIMENSION mm(inch)						PCS/PACK
	B	E	T	L	d2	d1	
AT1.5-3	6.5	6.5	0.7	17	3.2	1.8	1000
AT1.5-4	6.5	6.5	0.7	17	4.3	1.8	
AT1.5-5	7.5	6.5	0.6	17	5.3	1.8	
AT1.5-6	7.5	6.5	0.6	17	6.5	1.8	
AT2.5-3	7.5	8	0.7	19	3.2	2.3	
AT2.5-4	7.5	8	0.7	19	4.3	2.3	
AT2.5-5	8.5	8	0.6	19	5.3	2.3	
AT2.5-6	8.5	8	0.6	19	6.5	2.3	
AT4-4	7.5	8	1.2	22	4.3	3	
AT4-5	8.5	8	1.0	22	5.3	3	
AT4-6	8.5	8	1.0	22	6.5	3	
AT6-4	7.5	8.5	1.5	23	4.3	4	
AT6-5	8.5	8.5	1.3	23	5.3	4	
AT6-6	8.5	8.5	1.3	23	6.5	4	
AT6-8	12	8.5	0.9	29	8.5	4	
AT6-10	13.5	8.5	0.8	29	10.5	4	
AT10-5	10	13.5	1.6	29	5.3	5	
AT10-6	10	13.5	1.6	29	6.5	5	
AT10-8	12	13.5	1.3	34	8.5	5	
AT10-10	15	13.5	1.0	34	10.5	5	
AT10-12	17	13.5	0.9	39	13	5	

CABLE LUG-STRAIGHT ENTRY

PART NO.	DIMENSION mm(inch)						PCS/PACK
	B	E	T	L	d2	d1	
AT16-5	10.5	13.5	1.9	29	5.3	5.4	250
AT16-6	10.5	13.5	1.9	29	6.5	5.4	
AT16-8	12	13.5	1.7	34	8.5	5.4	
AT16-10	15	13.5	1.3	34	10.5	5.4	
AT16-12	18	13.5	1.1	39	13	5.4	
AT25-6	13	13.5	2.2	32	6.5	6.7	
AT25-8	13	13.5	2.2	32	8.5	6.7	
AT25-10	15	13.5	1.9	38	10.5	6.7	
AT25-12	18	13.5	1.6	42	13	6.7	
AT35-6	15	18	2.4	37	6.5	8.1	
AT35-8	15	18	2.4	38	8.5	8.1	
AT35-10	15	18	2.4	42	10.5	8.1	
AT35-12	18	18	2.0	47	13	8.1	
AT50-6	18	21	2.3	44	6.5	9.5	100
AT50-8	18	21	2.3	44	8.5	9.5	
AT50-10	18	23.5	2.3	49	10.5	9.5	
AT50-12	18	23.5	2.3	53	13	9.5	
AT70-6	21	26.5	3.2	54	6.5	11.3	
AT70-8	21	26.5	3.2	54	8.5	11.3	
AT70-10	21	26.5	3.2	54	10.5	11.3	
AT70-12	21	26.5	3.2	57	13	11.3	
AT70-14	21	26.5	3.2	57	15	11.3	
AT70-16	21	26.5	3.2	57	17	11.3	

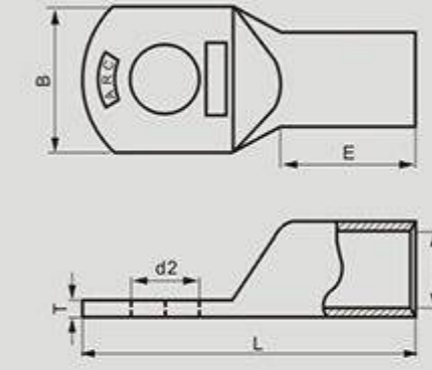
Non-Insulated -Copper Lugs



- **Material**
- Terminal Body: Copper
- Plating: Tin



Non-Insulated -Copper Lugs



- **Material**
- Terminal Body: Copper
- Plating: Tin



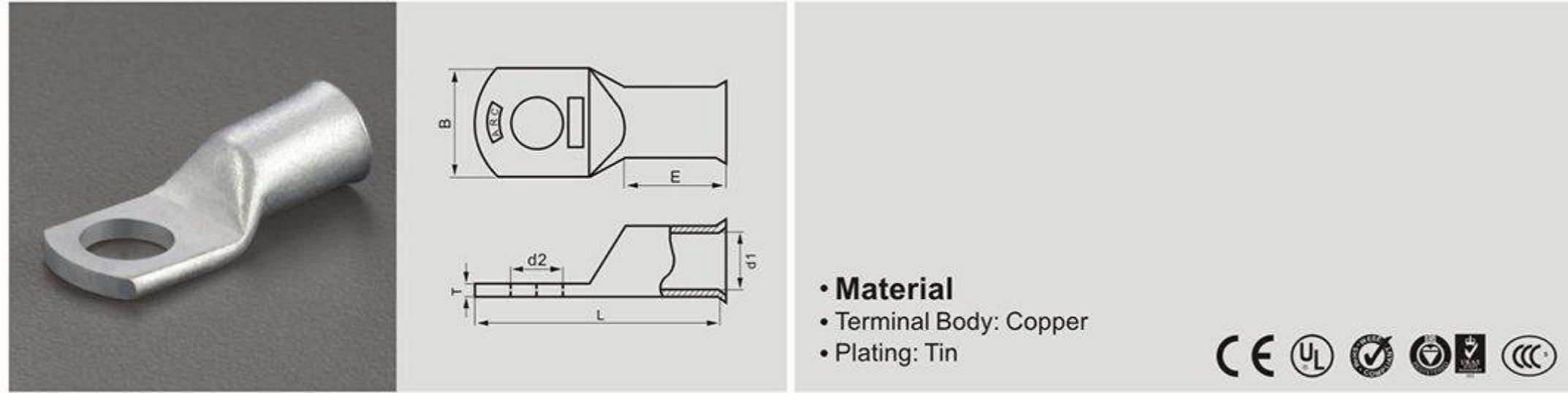
CABLE LUG-STRAIGHT ENTRY

PART NO .	DIMENSION mm(inch)						PCS/PACK
	B	E	T	L	d2	d1	
AT95-6	25	29	3.4	58	6.5	13.5	50
AT95-8	25	29	3.4	58	8.5	13.5	
AT95-10	25	29	3.4	58	10.5	13.5	
AT95-12	25	29	3.4	61	13	13.5	
AT95-14	25	29	3.4	67	15	13.5	
AT95-16	25	29	3.4	67	17	13.5	
AT120-8	28	32	3.6	64	8.5	15.2	25
AT120-10	28	32	3.6	64	10.5	15.2	
AT120-12	28	32	3.6	64	13	15.2	
AT120-14	28	32	3.6	64	15	15.2	
AT120-16	28	32	3.6	70	17	15.2	
AT150-10	32	38	3.7	76	10.5	17	
AT150-12	32	38	3.7	76	13	17	
AT150-14	32	38	3.7	76	15	17	
AT150-16	32	38	3.7	76	17	17	
AT150-20	32	38	3.7	83	21	17	
AT185-12	35	41	4.3	80	13	19	10
AT185-14	35	41	4.3	80	15	19	
AT185-16	35	41	4.3	80	17	19	
AT185-20	35	41	4.3	87	21	19	
AT240-12	41	45	5.7	86	13	22	
AT240-14	41	45	5.7	86	15	22	
AT240-16	41	45	5.7	86	17	22	
AT240-20	41	45	5.7	93	21	22	

CABLE LUG-STRAIGHT ENTRY

PART NO .	DIMENSION mm(inch)						PCS/PACK
	B	E	T	L	d2	d1	
AT300-12	44	52	6.3	100	13	24	5
AT300-14	44	52	6.3	100	15	24	
AT300-16	44	52	6.3	100	17	24	
AT300-20	44	52	6.3	100	21	24	
AT400-12	49	52	7.7	114	13	26	
AT400-16	49	52	7.7	114	17	26	
AT400-20	49	52	7.7	114	21	26	
AT400-24	49	52	7.7	114	25	26	
AT500-12	58	75	8.6	150	13	31	
AT500-16	58	75	8.6	150	17	31	
AT500-20	58	75	8.6	150	21	31	
AT500-24	58	75	8.6	150	25	31	
AT630-16	64	75	10.7	150	17	34	2
AT630-20	64	75	10.7	150	21	34	
AT630-24	64	75	10.7	150	25	34	
AT800-16	72	80	11.3	185	17	39	
AT800-20	72	80	11.3	185	21	39	
AT800-24	72	80	11.3	185	25	39	
AT1000-16	82	80	12.5	185	17	43	1
AT1000-20	82	80	12.5	185	21	43	
AT1000-24	82	80	12.5	185	25	43	

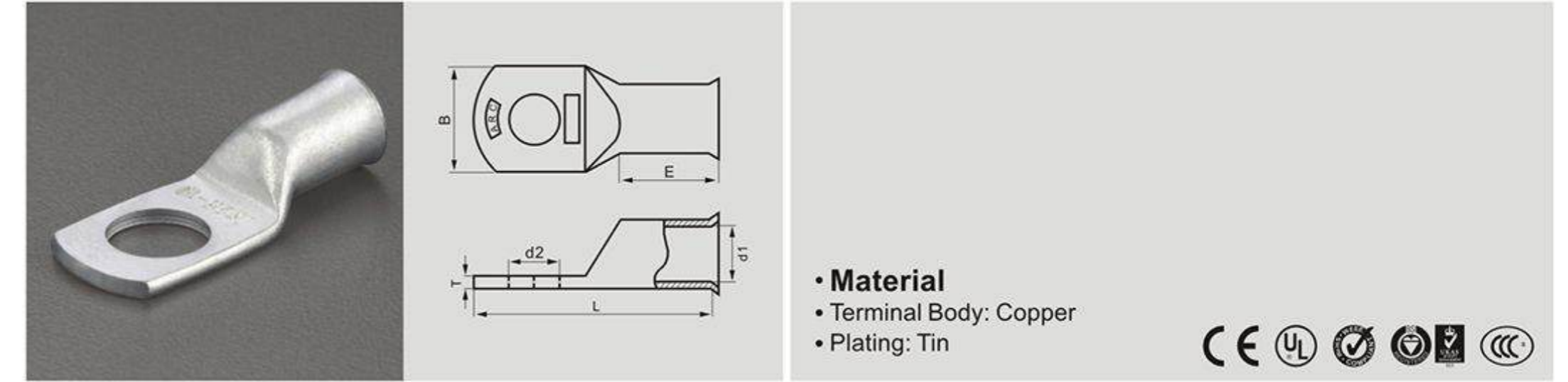
Non-Insulated -Copper Lugs



CABLE LUG-BELL ENTRY

PART NO.	DIMENSION mm(inch)						PCS/PACK
	B	E	T	L	d2	d1	
TL1.5-3	6.5	6	0.7	16.5	3.2	1.8	1000
TL1.5-4	6.5	6	0.7	16.5	4.3	1.8	
TL1.5-5	7.5	6	0.6	16.5	5.3	1.8	
TL1.5-6	7.5	6.5	0.6	17	6.5	1.8	
TL2.5-3	7.5	7.5	0.7	18.5	3.2	2.3	
TL2.5-4	7.5	7.5	0.7	18.5	4.3	2.3	
TL2.5-5	8.5	7.5	0.6	18.5	5.3	2.3	
TL2.5-6	8.5	7.5	0.6	18.5	6.5	2.3	
TL4-4	7.5	7.5	1.2	21.5	4.3	3	
TL4-5	8.5	7.5	1.0	21.5	5.3	3	
TL4-6	8.5	7.5	1.0	21.5	6.5	3	
TL6-4	7.5	8	1.5	22.5	4.3	4	500
TL6-5	8.5	8	1.3	22.5	5.3	4	
TL6-6	8.5	8	1.3	22.5	6.5	4	
TL6-8	12	8	0.9	28.5	8.5	4	
TL6-10	13.5	8	0.8	28.5	10.5	4	
TL10-5	10	12.8	1.6	28.3	5.3	5	
TL10-6	10	12.8	1.6	28.3	6.5	5	
TL10-8	12	12.8	1.3	33.3	8.5	5	
TL10-10	15	12.8	1.0	33.3	10.5	5	
TL10-12	17	12.8	0.9	38.3	13	5	

Non-Insulated -Copper Lugs




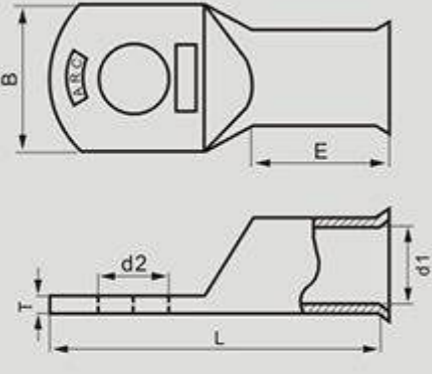
CABLE LUG-BELL ENTRY

PART NO.	DIMENSION mm(inch)						PCS/PACK
	B	E	T	L	d2	d1	
TL16-5	10.5	12.8	1.9	28.3	5.3	5.4	250
TL16-6	10.5	12.8	1.9	28.3	6.5	5.4	
TL16-8	12	12.8	1.7	33.3	8.5	5.4	
TL16-10	15	12.8	1.3	33.3	10.5	5.4	
TL16-12	18	12.8	1.1	38.3	13	5.4	
TL25-6	13	12.8	2.2	31.3	6.5	6.7	200
TL25-8	13	12.8	2.2	31.3	8.5	6.7	
TL25-10	15	12.8	1.9	37.3	10.5	6.7	
TL25-12	18	12.8	1.6	42	13	6.7	
TL35-6	15	17	2.4	36	6.5	8.1	
TL35-8	15	17	2.4	37	8.5	8.1	100
TL35-10	15	17	2.4	41	10.5	8.1	
TL35-12	18	17	2.0	46	13	8.1	
TL50-6	18	20	2.3	43	6.5	9.5	
TL50-8	18	20	2.3	43	8.5	9.5	
TL50-10	18	22.5	2.3	48	10.5	9.5	100
TL50-12	18	22.5	2.3	52	13	9.5	
TL70-6	21	25.5	3.2	53	6.5	11.3	
TL70-8	21	25.5	3.2	53	8.5	11.3	
TL70-10	21	25.5	3.2	53	10.5	11.3	
TL70-12	21	25.5	3.2	56	13	11.3	100
TL70-14	21	26.5	3.2	57	15	11.3	
TL70-16	21	26.5	3.2	57	17	11.3	


Non-Insulated -Copper Lugs







- **Material**
- Terminal Body: Copper
- Plating: Tin




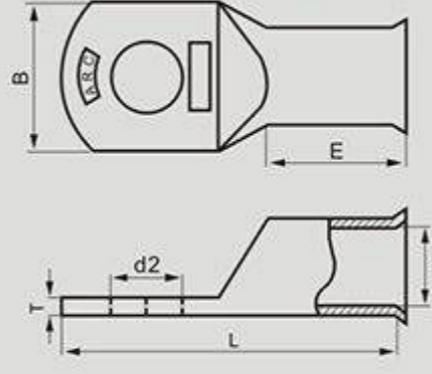
CABLE LUG-BELL ENTRY

PART NO .	DIMENSION mm(inch)						PCS/PACK	
	B	E	T	L	d2	d1		
TL95-6	25	28	3.4	57	6.5	13.5	50	
TL95-8	25	28	3.4	57	8.5	13.5		
TL95-10	25	28	3.4	57	10.5	13.5		
TL95-12	25	28	3.4	60	13	13.5		
TL95-14	25	28	3.4	66	17	13.5		
TL95-16	25	28	3.4	66	17	13.5		
TL120-8	28	31	3.6	63	8.5	15.2		25
TL120-10	28	31	3.6	63	10.5	15.2		
TL120-12	28	31	3.6	63	13	15.2		
TL120-14	28	31	3.6	63	15	15.2		
TL120-16	28	31	3.6	69	17	15.2		
TL150-10	32	37	3.7	75	10.5	17	10	
TL150-12	32	37	3.7	75	13	17		
TL150-14	32	38	3.7	76	15	17		
TL150-16	32	37	3.7	75	17	17		
TL150-20	32	37	3.7	82	21	17		
TL185-12	35	40	4.3	79	13	19		
TL185-14	35	40	4.3	79	15	19		
TL185-16	35	40	4.3	79	17	19		
TL185-20	35	40	4.3	86	21	19		
TL240-12	41	44	5.7	85	13	22	10	
TL240-14	41	44	5.7	85	15	22		
TL240-16	41	44	5.7	85	17	22		
TL240-20	41	44	5.7	92	21	22		


Non-Insulated -Copper Lugs







- **Material**
- Terminal Body: Copper
- Plating: Tin



CABLE LUG-BELL ENTRY

PART NO .	DIMENSION mm(inch)						PCS/PACK
	B	E	T	L	d2	d1	
TL300-12	44	51	6.3	99	13	24	5
TL300-14	44	51	6.3	99	15	24	
TL300-16	44	51	6.3	99	17	24	
TL300-20	44	51	6.3	99	21	24	
TL400-12	49	51	7.7	113	13	26	
TL400-16	49	51	7.7	113	17	26	
TL400-20	49	51	7.7	113	21	26	
TL400-24	49	51	7.7	113	25	26	
TL500-12	58	74	8.6	149	13	31	
TL500-16	58	74	8.6	149	17	31	
TL500-20	58	74	8.6	149	21	31	
TL500-24	58	74	8.6	149	25	31	
TL630-16	64	74	10.7	149	17	34	2
TL630-20	64	74	10.7	149	21	34	
TL630-24	64	74	10.7	149	25	34	
TL800-16	72	79	11.3	184	17	39	
TL800-20	72	79	11.3	184	21	39	
TL800-24	72	79	11.3	184	25	39	
TL1000-16	82	79	12.5	184	17	43	1
TL1000-20	82	79	12.5	184	21	43	
TL1000-24	82	79	12.5	184	25	43	

Non-Insulated -Copper Lugs



• Material
 • Terminal Body: Copper
 • Plating: Tin

CABLE LUG-STRAIGHT ENTRY WITH SPY HOLE

PART NO .	DIMENSION mm(inch)						PCS/PACK
	B	E	T	L	d2	d1	
TK1.5-3	6.5	6.5	0.7	17	3.2	1.8	1000
TK1.5-4	6.5	6.5	0.7	17	4.3	1.8	
TK1.5-5	7.5	6.5	0.6	17	5.3	1.8	
TK1.5-6	7.5	6.5	0.6	17	6.5	1.8	
TK2.5-3	7.5	8	0.7	19	3.2	2.3	
TK2.5-4	7.5	8	0.7	19	4.3	2.3	
TK2.5-5	8.5	8	0.6	19	5.3	2.3	
TK2.5-6	8.5	8	0.6	19	6.5	2.3	
TK4-4	7.5	8	1.2	22	4.3	3	
TK4-5	8.5	8	1.0	22	5.3	3	
TK4-6	8.5	8	1.0	22	6.5	3	
TK6-4	7.5	8.5	1.5	23	4.3	4	500
TK6-5	8.5	8.5	1.3	23	5.3	4	
TK6-6	8.5	8.5	1.3	23	6.5	4	
TK6-8	12	8.5	0.9	29	8.5	4	
TK6-10	13.5	8.5	0.8	29	10.5	4	
TK10-5	10	13.5	1.6	29	5.3	5	
TK10-6	10	13.5	1.6	29	6.5	5	
TK10-8	12	13.5	1.3	34	8.5	5	
TK10-10	15	13.5	1.0	34	10.5	5	
TK10-12	17	13.5	0.9	39	13	5	

Non-Insulated -Copper Lugs



• Material
 • Terminal Body: Copper
 • Plating: Tin

CABLE LUG-STRAIGHT ENTRY WITH SPY HOLE

PART NO .	DIMENSION mm(inch)						PCS/PACK
	B	E	T	L	d2	d1	
TK16-5	10.5	13.5	1.9	29	5.3	5.4	250
TK16-6	10.5	13.5	1.9	29	6.5	5.4	
TK16-8	12	13.5	1.7	34	8.5	5.4	
TK16-10	15	13.5	1.3	34	10.5	5.4	
TK16-12	18	13.5	1.1	39	13	5.4	
TK25-6	13	13.5	2.2	32	6.5	6.7	200
TK25-8	13	13.5	2.2	32	8.5	6.7	
TK25-10	15	13.5	1.9	38	10.5	6.7	
TK25-12	18	13.5	1.6	42	13	6.7	
TK35-6	15	18	2.4	37	6.5	8.1	
TK35-8	15	18	2.4	38	8.5	8.1	100
TK35-10	15	18	2.4	42	10.5	8.1	
TK35-12	18	18	2.0	47	13	8.1	
TK50-6	18	21	2.3	44	6.5	9.5	
TK50-8	18	21	2.3	44	8.5	9.5	
TK50-10	18	23.5	2.3	49	10.5	9.5	100
TK50-12	18	23.5	2.3	53	13	9.5	
TK70-6	21	26.5	3.2	54	6.5	11.3	
TK70-8	21	26.5	3.2	54	8.5	11.3	
TK70-10	21	26.5	3.2	54	10.5	11.3	
TK70-12	21	26.5	3.2	57	13	11.3	
TK70-14	21	26.5	3.2	57	15	11.3	
TK70-16	21	26.5	3.2	57	17	11.3	

Non-Insulated -Copper Lugs



• Material
 • Terminal Body: Copper
 • Plating: Tin

CABLE LUG-STRAIGHT ENTRY WITH SPY HOLE

PART NO .	DIMENSION mm(inch)						PCS/PACK	
	B	E	T	L	d2	d1		
TK95-6	25	29	3.4	58	6.5	13.5	50	
TK95-8	25	29	3.4	58	8.5	13.5		
TK95-10	25	29	3.4	58	10.5	13.5		
TK95-12	25	29	3.4	61	13	13.5		
TK95-14	25	29	3.4	67	15	13.5		
TK95-16	25	29	3.4	67	17	13.5		
TK120-8	28	32	3.6	64	8.5	15.2		25
TK120-10	28	32	3.6	64	10.5	15.2		
TK120-12	28	32	3.6	64	13	15.2		
TK120-14	28	32	3.6	64	15	15.2		
TK120-16	28	32	3.6	70	17	15.2		
TK150-10	32	38	3.7	76	10.5	17	10	
TK150-12	32	38	3.7	76	13	17		
TK150-14	32	38	3.7	76	15	17		
TK150-16	32	38	3.7	76	17	17		
TK150-20	32	38	3.7	83	21	17		
TK185-12	35	41	4.3	80	13	19		
TK185-14	35	41	4.3	80	15	19		
TK185-16	35	41	4.3	80	17	19		
TK185-20	35	41	4.3	87	21	19		
TK240-12	41	45	5.7	86	13	22	1	
TK240-14	41	45	5.7	86	15	22		
TK240-16	41	45	5.7	86	17	22		
TK240-20	41	45	5.7	93	21	22		

Non-Insulated -Copper Lugs



• Material
 • Terminal Body: Copper
 • Plating: Tin

CABLE LUG-STRAIGHT ENTRY WITH SPY HOLE

PART NO .	DIMENSION mm(inch)						PCS/PACK	
	B	E	T	L	d2	d1		
TK300-12	44	52	6.3	100	13	24	5	
TK300-14	44	52	6.3	100	15	24		
TK300-16	44	52	6.3	100	17	24		
TK300-20	44	52	6.3	100	21	24		
TK400-12	49	52	7.7	114	13	26		
TK400-16	49	52	7.7	114	17	26		
TK400-20	49	52	7.7	114	21	26		
TK400-24	49	52	7.7	114	25	26		
TK500-12	58	75	8.6	150	13	31		2
TK500-16	58	75	8.6	150	17	31		
TK500-20	58	75	8.6	150	21	31		
TK500-24	58	75	8.6	150	25	31		
TK630-16	64	75	10.7	150	17	34		
TK630-20	64	75	10.7	150	21	34		
TK630-24	64	75	10.7	150	25	34	1	
TK800-16	72	80	11.3	185	17	39		
TK800-20	72	80	11.3	185	21	39		
TK800-24	72	80	11.3	185	25	39		
TK1000-16	82	80	12.5	185	17	43	1	
TK1000-20	82	80	12.5	185	21	43		
TK1000-24	82	80	12.5	185	25	43		

Non-Insulated -Copper Lugs



• Material
 • Terminal Body: Copper
 • Plating: Tin

CABLE LUG-BELL ENTRY WITH SPY HOLE

PART NO .	DIMENSION mm(inch)						PCS/PACK
	B	E	T	L	d2	d1	
TKL1.5-3	6.5	6	0.7	16.5	3.2	1.8	1000
TKL1.5-4	6.5	6	0.7	16.5	4.3	1.8	
TKL1.5-5	7.5	6	0.6	16.5	5.3	1.8	
TKL1.5-6	7.5	6.5	0.6	17	6.5	1.8	
TKL2.5-3	7.5	7.5	0.7	18.5	3.2	2.3	
TKL2.5-4	7.5	7.5	0.7	18.5	4.3	2.3	
TKL2.5-5	8.5	7.5	0.6	18.5	5.3	2.3	
TKL2.5-6	8.5	7.5	0.6	18.5	6.5	2.3	
TKL4-4	7.5	7.5	1.2	21.5	4.3	3	
TKL4-5	8.5	7.5	1.0	21.5	5.3	3	
TKL4-6	8.5	7.5	1.0	21.5	6.5	3	
TKL6-4	7.5	8	1.5	22.5	4.3	4	
TKL6-5	8.5	8	1.3	22.5	5.3	4	
TKL6-6	8.5	8	1.3	22.5	6.5	4	
TKL6-8	12	8	0.9	28.5	8.5	4	
TKL6-10	13.5	8	0.8	28.5	10.5	4	
TKL10-5	10	12.8	1.6	28.3	5.3	5	
TKL10-6	10	12.8	1.6	28.3	6.5	5	
TKL10-8	12	12.8	1.3	33.3	8.5	5	
TKL10-10	15	12.8	1.0	33.3	10.5	5	
TKL10-12	17	12.8	0.9	38.3	13	5	

Non-Insulated -Copper Lugs

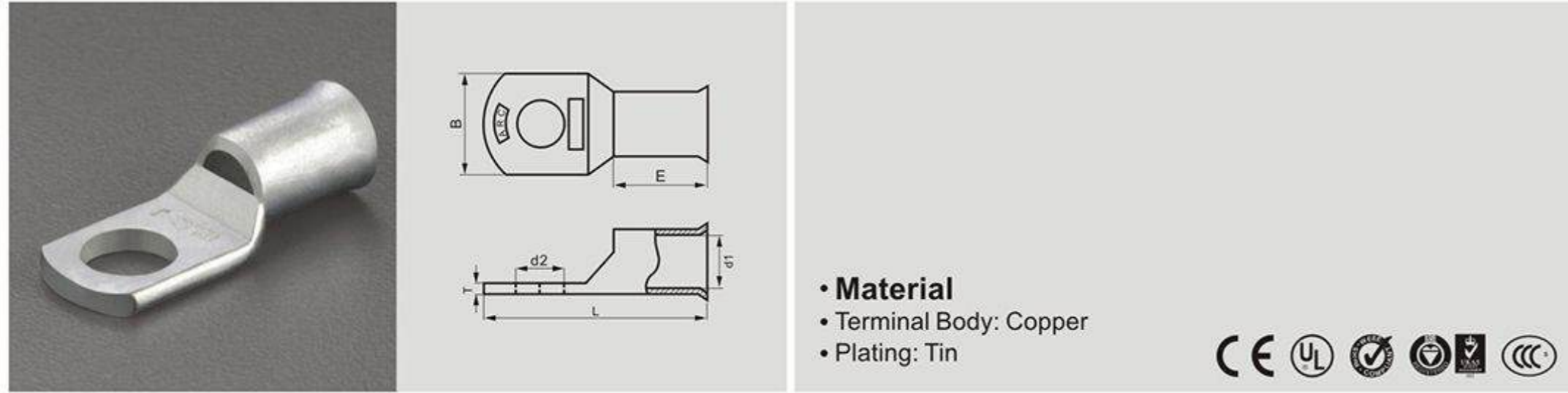


• Material
 • Terminal Body: Copper
 • Plating: Tin

CABLE LUG-BELL ENTRY WITH SPY HOLE

PART NO .	DIMENSION mm(inch)						PCS/PACK
	B	E	T	L	d2	d1	
TKL16-5	10.5	12.8	1.9	28.3	5.3	5.4	250
TKL16-6	10.5	12.8	1.9	28.3	6.5	5.4	
TKL16-8	12	12.8	1.7	33.3	8.5	5.4	
TKL16-10	15	12.8	1.3	33.3	10.5	5.4	
TKL16-12	18	12.8	1.1	38.3	13	5.4	
TKL25-6	13	12.8	2.2	31.3	6.5	6.7	
TKL25-8	13	12.8	2.2	31.3	8.5	6.7	
TKL25-10	15	12.8	1.9	37.3	10.5	6.7	
TKL25-12	18	12.8	1.6	42	13	6.7	
TKL35-6	15	17	2.4	36	6.5	8.1	
TKL35-8	15	17	2.4	37	8.5	8.1	
TKL35-10	15	17	2.4	41	10.5	8.1	100
TKL35-12	18	17	2.0	46	13	8.1	
TKL50-6	18	20	2.3	43	6.5	9.5	
TKL50-8	18	20	2.3	43	8.5	9.5	
TKL50-10	18	22.5	2.3	48	10.5	9.5	
TKL50-12	18	22.5	2.3	52	13	9.5	
TKL70-6	21	25.5	3.2	53	6.5	11.3	100
TKL70-8	21	25.5	3.2	53	8.5	11.3	
TKL70-10	21	25.5	3.2	53	10.5	11.3	
TKL70-12	21	25.5	3.2	56	13	11.3	
TKL70-14	21	26.5	3.2	57	15	11.3	
TKL70-16	21	26.5	3.2	57	17	11.3	

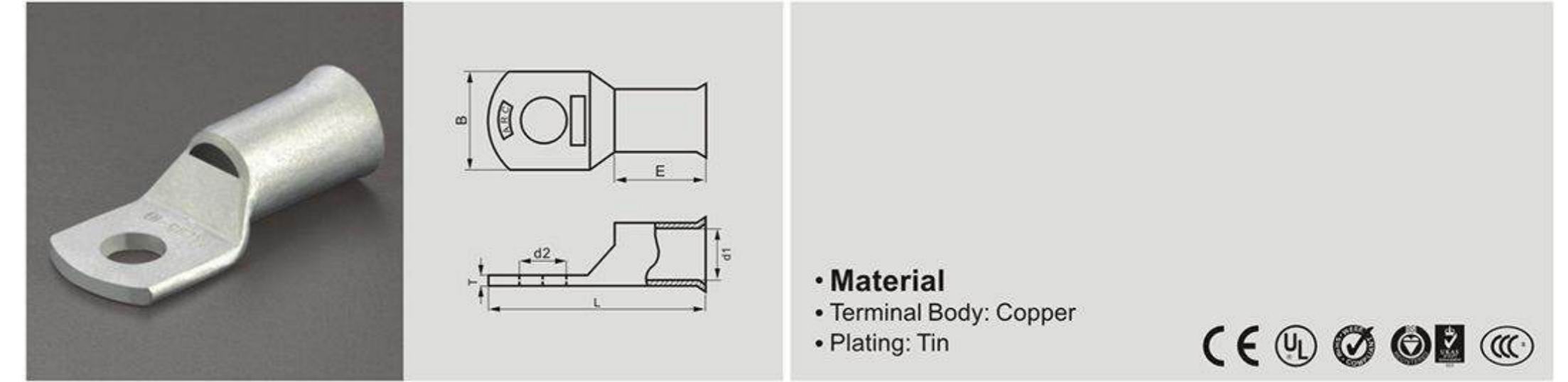
Non-Insulated -Copper Lugs



CABLE LUG-BELL ENTRY WITH SPY HOLE

PART NO .	DIMENSION mm(inch)						PCS/PACK	
	B	E	T	L	d2	d1		
TKL95-6	25	28	3.4	57	6.5	13.5	50	
TKL95-8	25	28	3.4	57	8.5	13.5		
TKL95-10	25	28	3.4	57	10.5	13.5		
TKL95-12	25	28	3.4	60	13	13.5		
TKL95-14	25	28	3.4	66	17	13.5		
TKL95-16	25	28	3.4	66	17	13.5		
TKL120-8	28	31	3.6	63	8.5	15.2		25
TKL120-10	28	31	3.6	63	10.5	15.2		
TKL120-12	28	31	3.6	63	13	15.2		
TKL120-14	28	31	3.6	63	15	15.2		
TKL120-16	28	31	3.6	69	17	15.2		
TKL150-10	32	37	3.7	75	10.5	17	10	
TKL150-12	32	37	3.7	75	13	17		
TKL150-14	32	38	3.7	76	15	17		
TKL150-16	32	37	3.7	75	17	17		
TKL150-20	32	37	3.7	82	21	17		
TKL185-12	35	40	4.3	79	13	19		
TKL185-14	35	40	4.3	79	15	19		
TKL185-16	35	40	4.3	79	17	19		
TKL185-20	35	40	4.3	86	21	19		
TKL240-12	41	44	5.7	85	13	22	10	
TKL240-14	41	44	5.7	85	15	22		
TKL240-16	41	44	5.7	85	17	22		
TKL240-20	41	44	5.7	92	21	22		

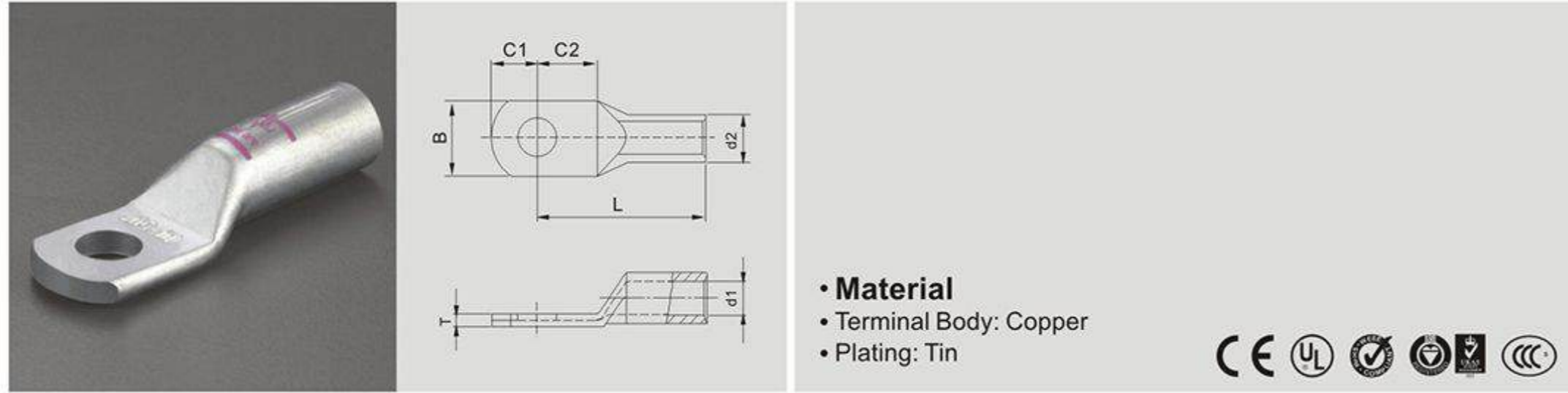
Non-Insulated -Copper Lugs



CABLE LUG-BELL ENTRY WITH SPY HOLE

PART NO .	DIMENSION mm(inch)						PCS/PACK
	B	E	T	L	d2	d1	
TKL300-12	44	51	6.3	99	13	24	5
TKL300-14	44	51	6.3	99	15	24	
TKL300-16	44	51	6.3	99	17	24	
TKL300-20	44	51	6.3	99	21	24	
TKL400-12	49	51	7.7	113	13	26	
TKL400-16	49	51	7.7	113	17	26	
TKL400-20	49	51	7.7	113	21	26	
TKL400-24	49	51	7.7	113	25	26	
TKL500-12	58	74	8.6	149	13	31	
TKL500-16	58	74	8.6	149	17	31	
TKL500-20	58	74	8.6	149	21	31	
TKL500-24	58	74	8.6	149	25	31	2
TKL630-16	64	74	10.7	149	17	34	
TKL630-20	64	74	10.7	149	21	34	
TKL630-24	64	74	10.7	149	25	34	
TKL800-16	72	79	11.3	184	17	39	
TKL800-20	72	79	11.3	184	21	39	
TKL800-24	72	79	11.3	184	25	39	1
TKL1000-16	82	79	12.5	184	17	43	
TKL1000-20	82	79	12.5	184	21	43	
TKL1000-24	82	79	12.5	184	25	43	

Non-Insulated -Copper Lugs



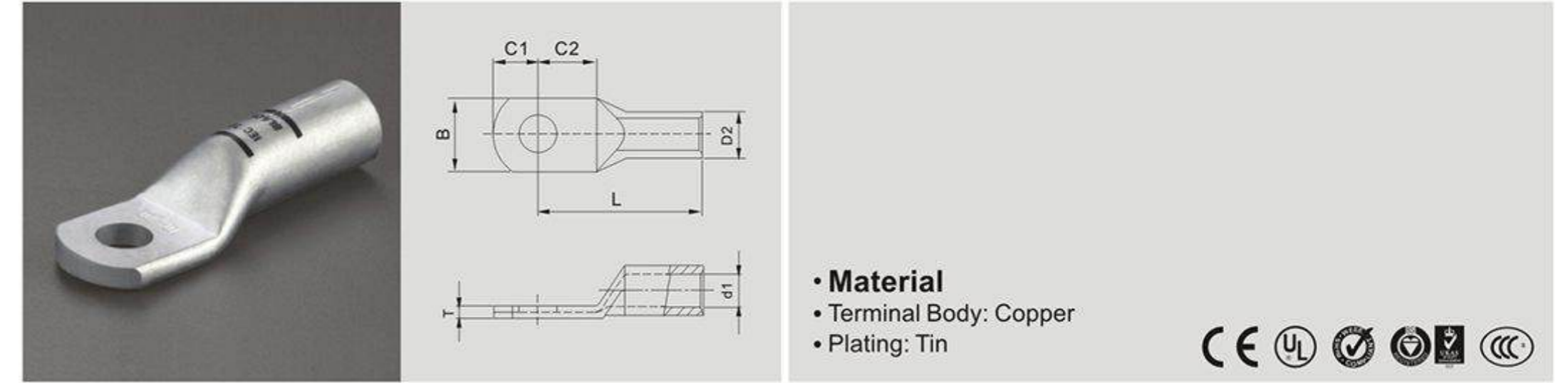
- **Material**
- Terminal Body: Copper
- Plating: Tin



CABLE LUG-STRAIGHT ENTRY(DIN)

PART NO.	DIMENSION mm(inch)								PCS/PACK
	B	C1	C2	T	L	d2	d1		
DT5-6	5	8.5	9	6	1.5	24	5.5	3.8	500
DT6-6	5	8.5	10.5	8	1.5	24	5.5	3.8	
DT5-10	6	9	9	6	1.5	27	6	4.5	
DT6-10	6	9	10.5	8	1.5	27	6	4.5	
DT6-16	8	13	10.3	8	2.5	36	8.5	5.5	250
DT8-16	8	13	13	10	2.5	36	8.5	5.5	
DT10-16	8	17	15	12	2.5	36	8.5	5.5	
DT6-25	10	14	10.5	8	3	38	10	7	200
DT8-25	10	16	13	10	3	38	10	7	
DT10-25	10	17	15	12	3	38	10	7	
DT12-25	10	19	16	13	3	38	10	7	
DT8-35	12	17	13	10	2.5	42	12.5	8.2	
DT10-35	12	19	15	12	2.5	42	12.5	8.2	
DT12-35	12	21	16	13	2.5	42	12.5	8.2	100
DT8-50	14	20	13	10	4	52	14.5	10	
DT10-50	14	22	15	12	4	52	14.5	10	
DT12-50	14	24	16	13	4	52	14.5	10	
DT16-50	14	28	19	16	4	52	14.5	10	
DT8-70	16	24	13	10	4.5	55	16.5	11.5	
DT10-70	16	24	15	12	4.5	55	16.5	11.5	50
DT12-70	16	24	16	13	4.5	55	16.5	11.5	
DT16-70	16	30	19	16	4.5	55	16.5	11.5	
DT10-95	18	28	15	12	5	65	19	13.5	
DT12-95	18	28	16	13	5	65	19	13.5	
DT16-95	18	32	19	16	5	65	19	13.5	

Non-Insulated -Copper Lugs

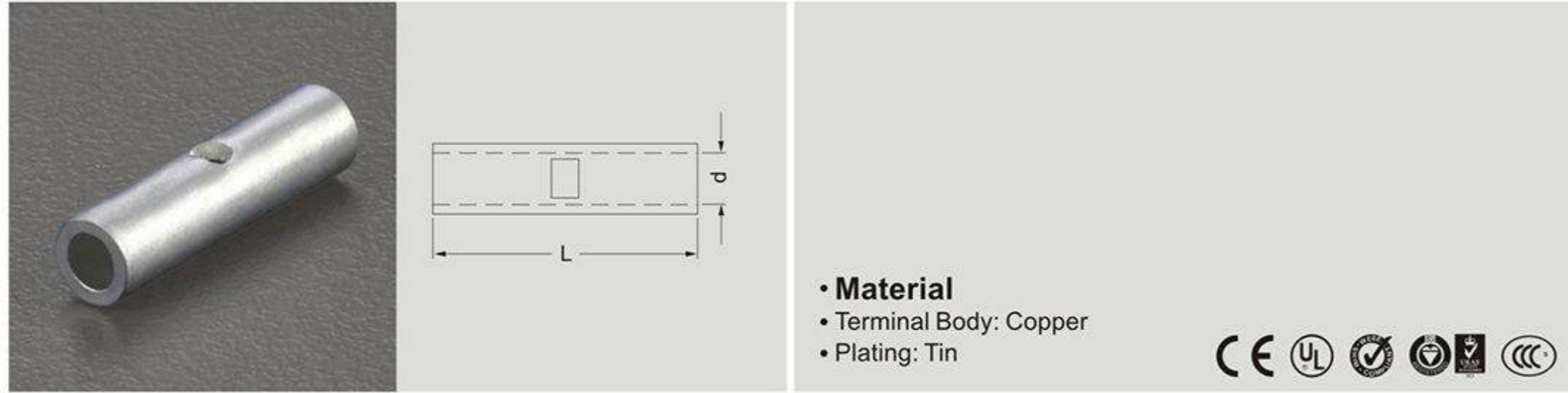


- **Material**
- Terminal Body: Copper
- Plating: Tin



CABLE LUG-STRAIGHT ENTRY(DIN)

PART NO.	DIMENSION mm(inch)								PCS/PACK
	B	C1	C2	T	L	d2	d1		
DT10-120	20	32	15	12	5.5	70	21	15.5	25
DT12-120	20	32	16	13	5.5	70	21	15.5	
DT16-120	20	32	19	16	5.5	70	21	15.5	
DT20-120	20	38	22	20	5.5	70	21	15.5	
DT10-150	22	34	15	12	6	78	23.5	17	
DT12-150	22	34	16	13	6	78	23.5	17	
DT16-150	22	34	19	16	6	78	23.5	17	10
DT20-150	22	40	22	20	6	78	23.5	17	
DT10-185	25	37	15	12	6	82	25.5	19	
DT12-185	25	37	16	13	6	82	25.5	19	
DT16-185	25	37	19	16	6	82	25.5	19	
DT20-185	25	40	22	20	6	82	25.5	19	
DT12-240	28	42	16	13	6.5	92	29	21.5	5
DT16-240	28	42	19	16	6.5	92	29	21.5	
DT20-240	28	45	22	20	6.5	92	29	21.5	
DT16-300	32	48	19	16	7	100	32	24.5	
DT20-300	32	48	22	20	7	100	32	24.5	
DT16-400	38	55	25	16	10	115	38.5	27.5	
DT20-400	38	55	25	20	10	115	38.5	27.5	2
DT20-500	42	60	25	20	10	125	42	31	
DT20-625	44	60	25	20	10	135	44	34.5	
DT20-800	52	75	25	20	12	165	52	40	
DT20-1000	58	85	25	20	14	165	56	44	1



- **Material**
- Terminal Body: Copper
- Plating: Tin



**BUTT SPLICE CONNECTORS
SEAMLESS TUBULAR TYPE**

PART NO.	DIMENSION mm(inch)		PCS/PACK
	d	L	
BNT-0.75	1.4	15	1000
BNT-1.5	1.8	15	
BNT-2.5	2.3	15	
BNT-4	3	15	
BNT-6	4	15	
BNT-10	5	20	500
BNT-16	5.4	20	
BNT-25	6.7	32	250
BNT-35	8.1	36	200
BNT-50	9.5	40	100
BNT-70	11.3	40	
BNT-95	13.5	45	50
BNT-120	15.2	45	
BNT-150	17	55	25
BNT-185	19	65	10
BNT-240	22	80	
BNT-300	24	85	5
BNT-400	26	90	2
BNT-500	31	100	
BNT-630	34	110	

**Accurate,
Innovative,
Reliable and Intelligent
Connection**